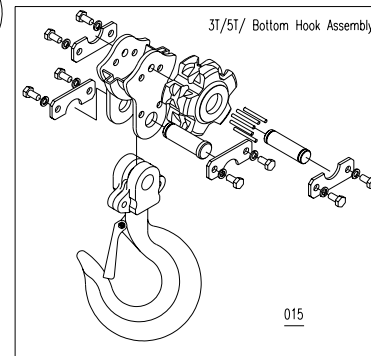
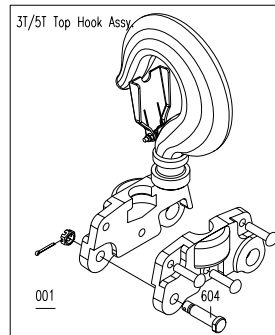
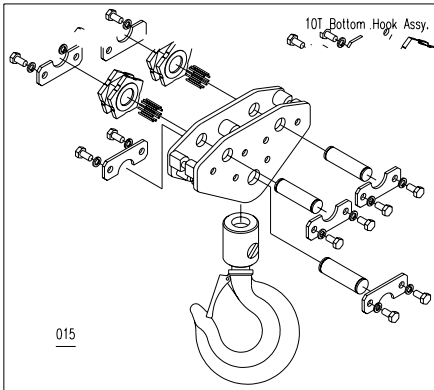
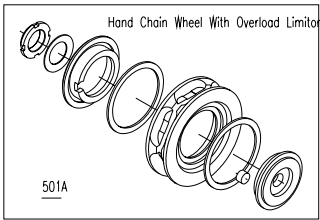
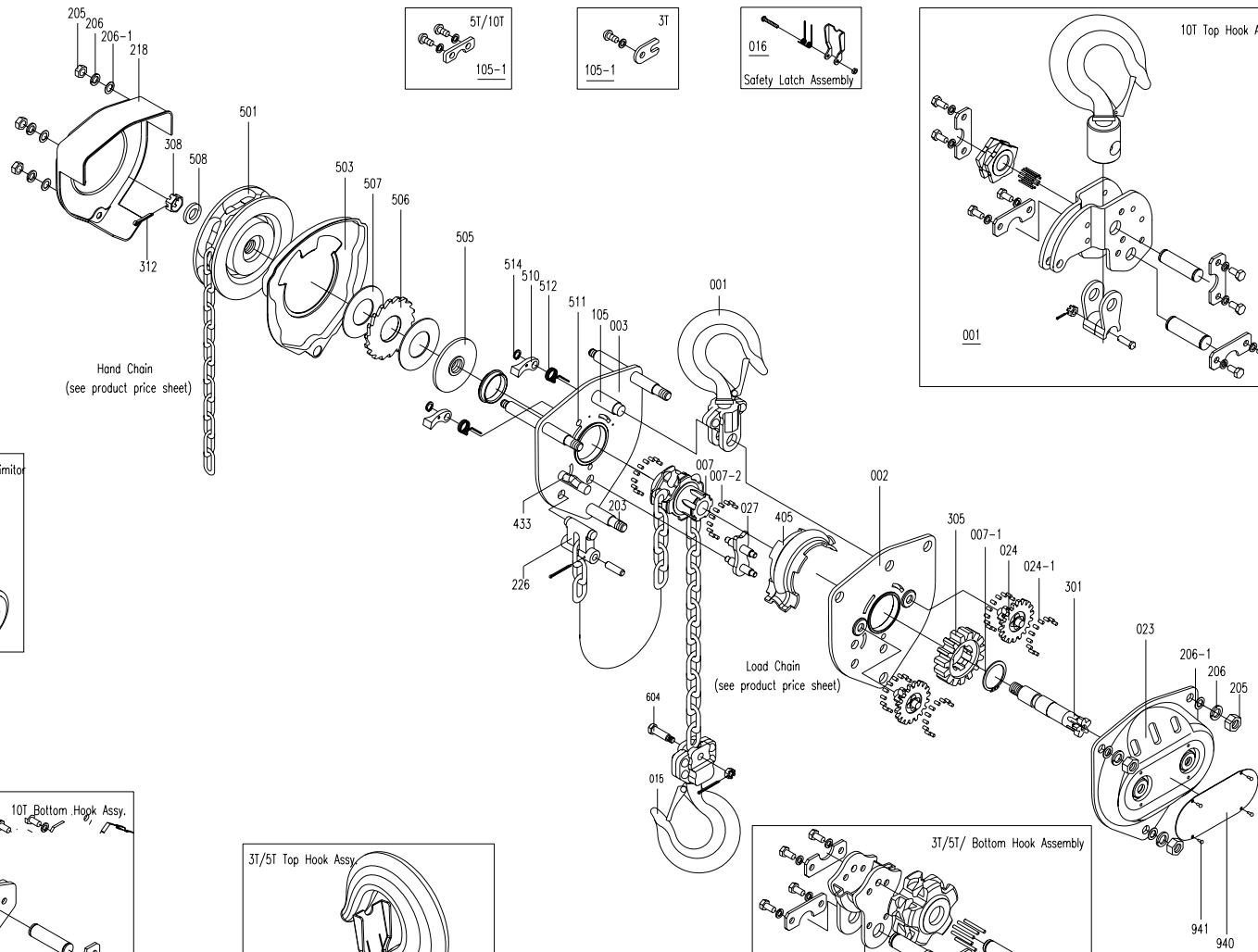
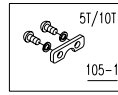
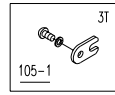
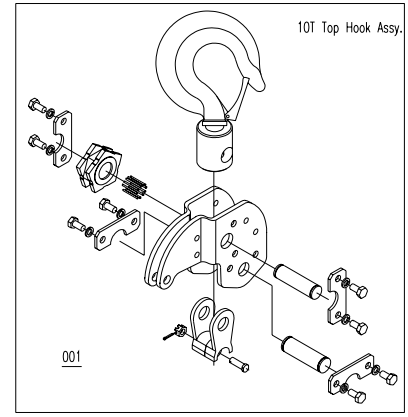


# Parts SMH Chain Hoist



## Parts List: 10-Ton SMH Chain Hoist

Index No.	Part No.	Description	Size	Qty
001	SMH-001G	Top Hook Assy Complete		1
002	SMH-002F	Gear Side Plate Assy		1
003	SMH-003F	Wheel Side Plate Assy		1
007	SMH-007F	Load Sheave		1
007-1	SMH-007-1F	Snap Ring	45	1
007-2	SMH-007-2F	Roller Kit	70 Rollers	1
015	SMH-015G	Bottom Hook Assy Complete		1
016	SMH-016G	Safety Latch Assy		2
023	SMH-023F	Gear Case Assy		1
024	SMH-024F	Spur Gear Assy		2
027	SMH-027F	Stripper Assy		1
105	SMH-105F	Top Hook Pin		1
105-1	SMH-105-1F	Retainer Plate Assy		1
203	SMH-203F	Stay Bolt		3
205	SMH-205D	Cover Nut		6
206	SMH-206D	Lock Washer		6
206-1	SMH-206-1D	Flat Washer		6
218	SMH-218F	Hand Wheel Cover		1
226	SMH-226F	Anchor Plate		1
301	SMH-301F	Drive Shaft		1
305	SMH-305F	Load Gear		1
308	SMH-308B	Castle Nut		1
312	SMH-312B	Split Pin	3.2x25	1
405	SMH-405F	Load Sheave Cover		1
433	SMH-433F	Load Sheave Cover Pin		1
501	SMH-501F	Hand Chain Wheel		1
503	SMH-503F	Brake Cover		1
505	SMH-505F	Disc Hub		1
506	SMH-506F	Ratchet Gear		1
507	SMH-507F	Friction Disc		2
508	SMH-508B	Check Washer		1
510	SMH-510F	Pawl		2
511	SMH-511F	Pawl Pin		2
512	SMH-512F	Pawl Spring		2
514	SMH-514F	Snap Ring	9	2
604	SMH-604G	Chain Stop Bolt Assy		1
940	SMH-940G	Name Plate	10 Tom	1
941	SMH-941A	Rivet	2.5x6	4
942	187728	Hand Chain*	Ø 5mm	1
943	187727	Load Chain* (5-Ton)	Ø 9mm	1