

**10E900**

# Illustrated Parts List

## Model Series

# 10E900

TYPE NUMBERS  
0015 through 0207.

### TABLE OF CONTENTS

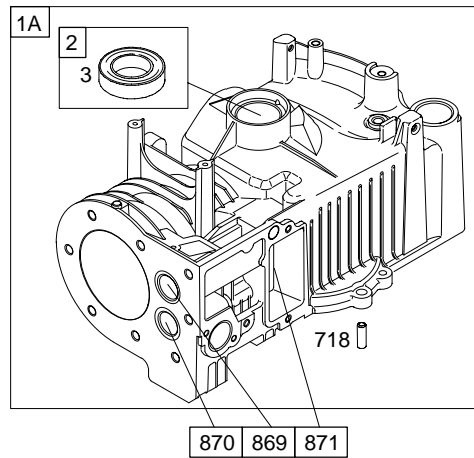
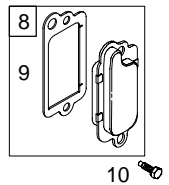
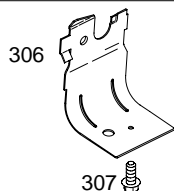
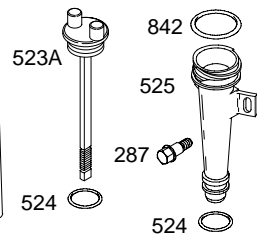
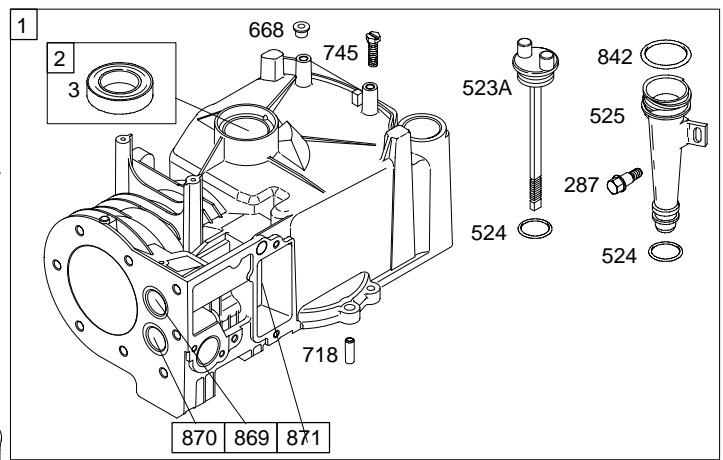
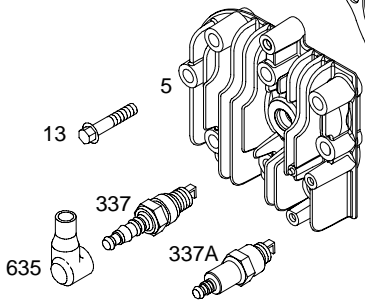
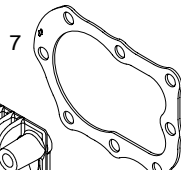
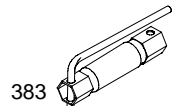
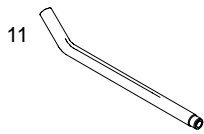
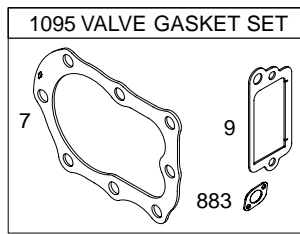
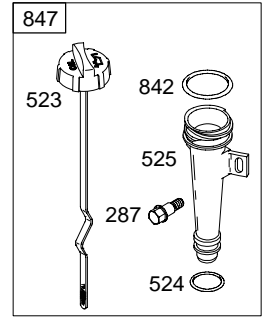
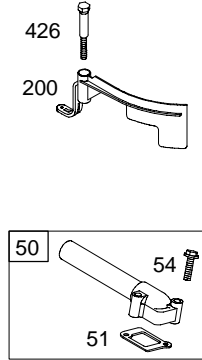
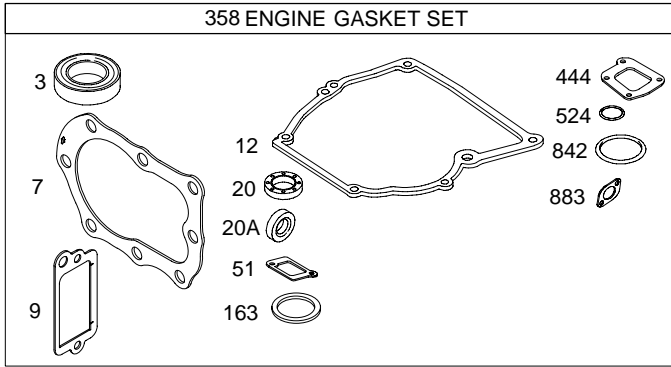
Air Cleaner .....	6
Blower Housing/Shrouds .....	7
Brakes .....	9
Cams .....	3
Carburetor .....	4
Controls .....	5
Crankcase Cover/Sump .....	3
Crankshaft .....	3
Cylinder .....	2
Flywheel .....	7
Fuel Tank .....	4
Governor Spring .....	5
Head .....	2
Ignition .....	5
Kits/Gaskets – Engine .....	2
Kits/Gaskets – Valve .....	2
Muffler .....	6
Oil Group .....	2
Piston Group .....	3
Rewind/Blower Housing .....	8
Valves .....	3



PRINTED IN U.S.A.

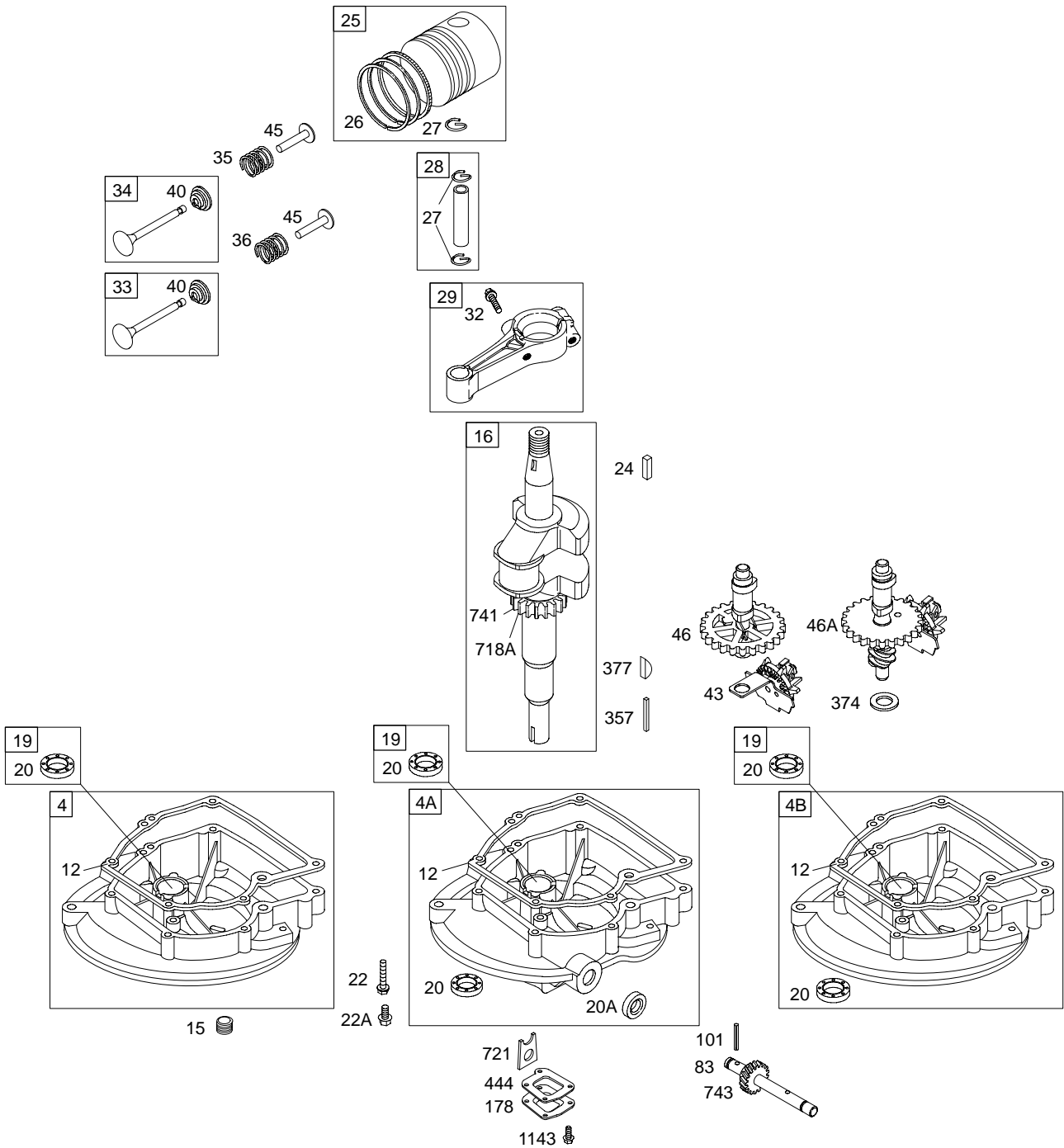
COPYRIGHT by BRIGGS & STRATTON CORPORATION  
All rights reserved. No part of this material may be reproduced or transmitted, in any form or by any means, electronic or mechanical, including photocopying, recording or by any information storage and retrieval system, without permission in writing from Briggs & Stratton Corporation.

# 10E900

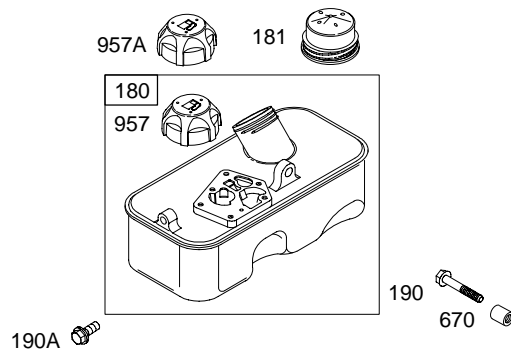
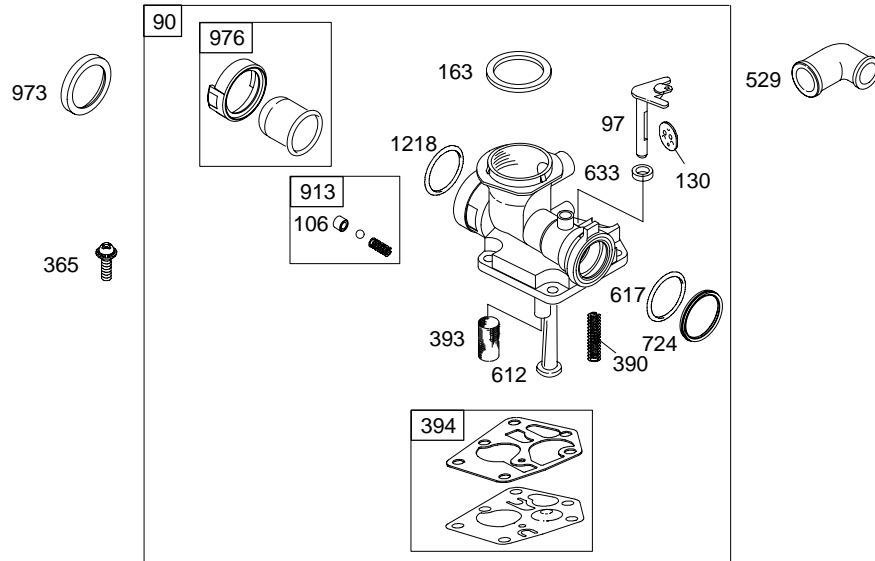


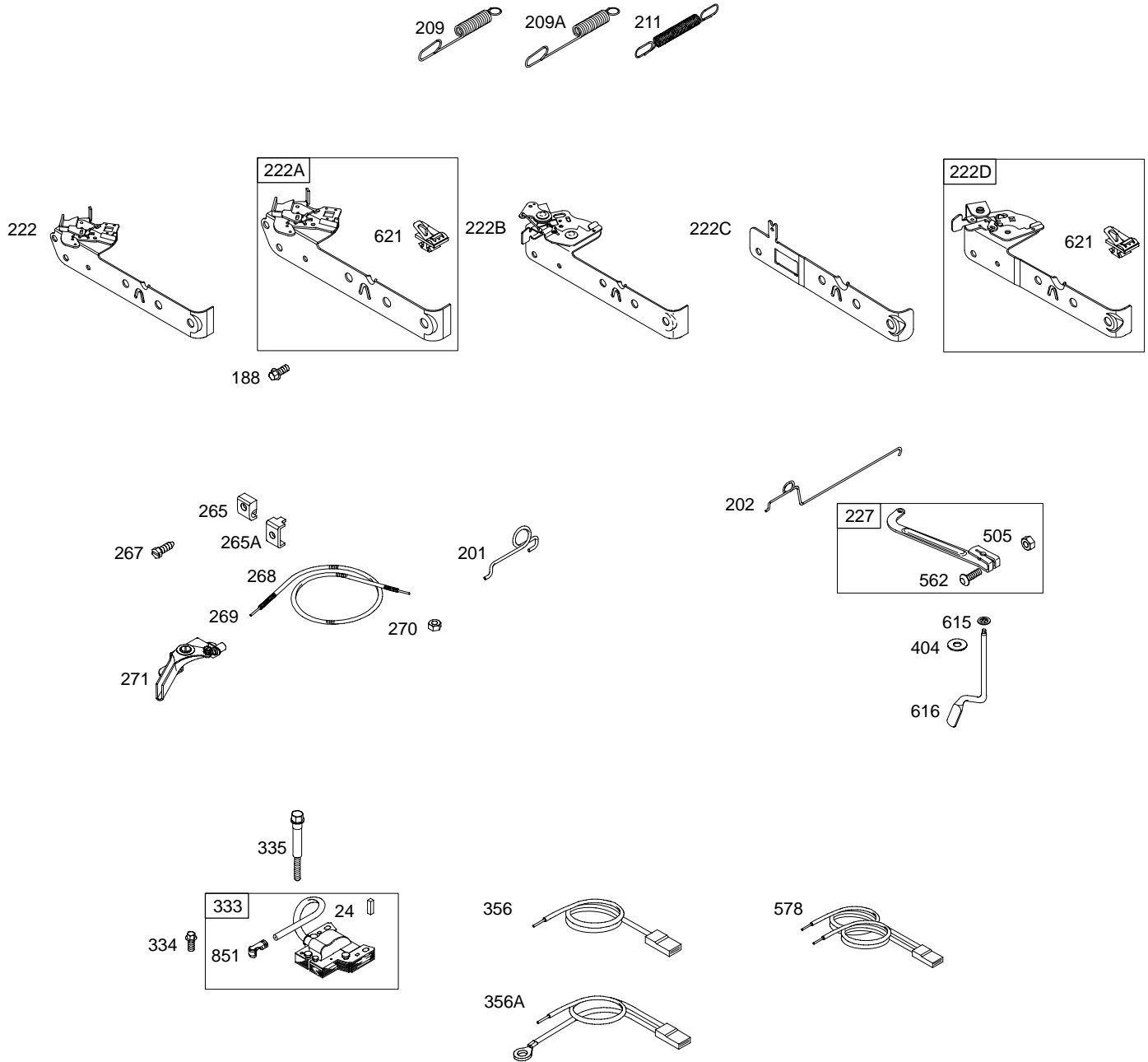
1019 LABEL KIT

1058 OWNER'S MANUAL

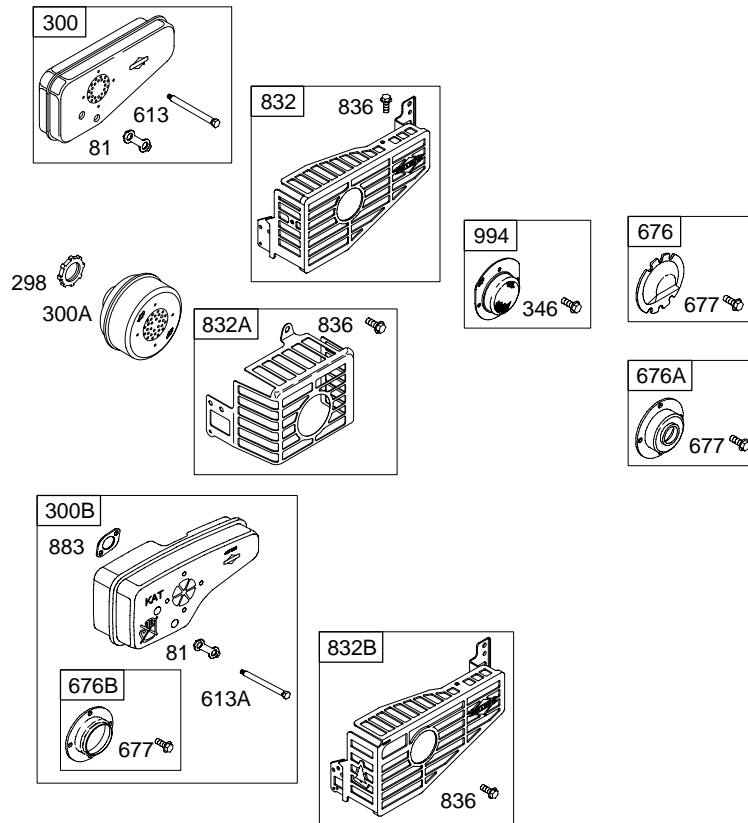
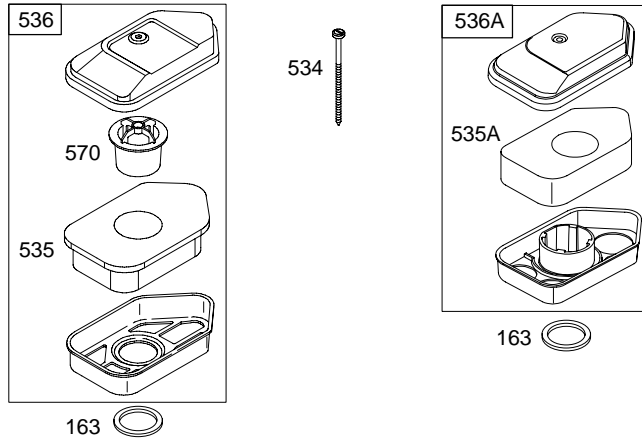


Illustrations cover a range of engines. Parts shown without corresponding text may not be used on your specific engine.  
 5039-3 Assemblies include all parts shown in frames. 05/28/2003

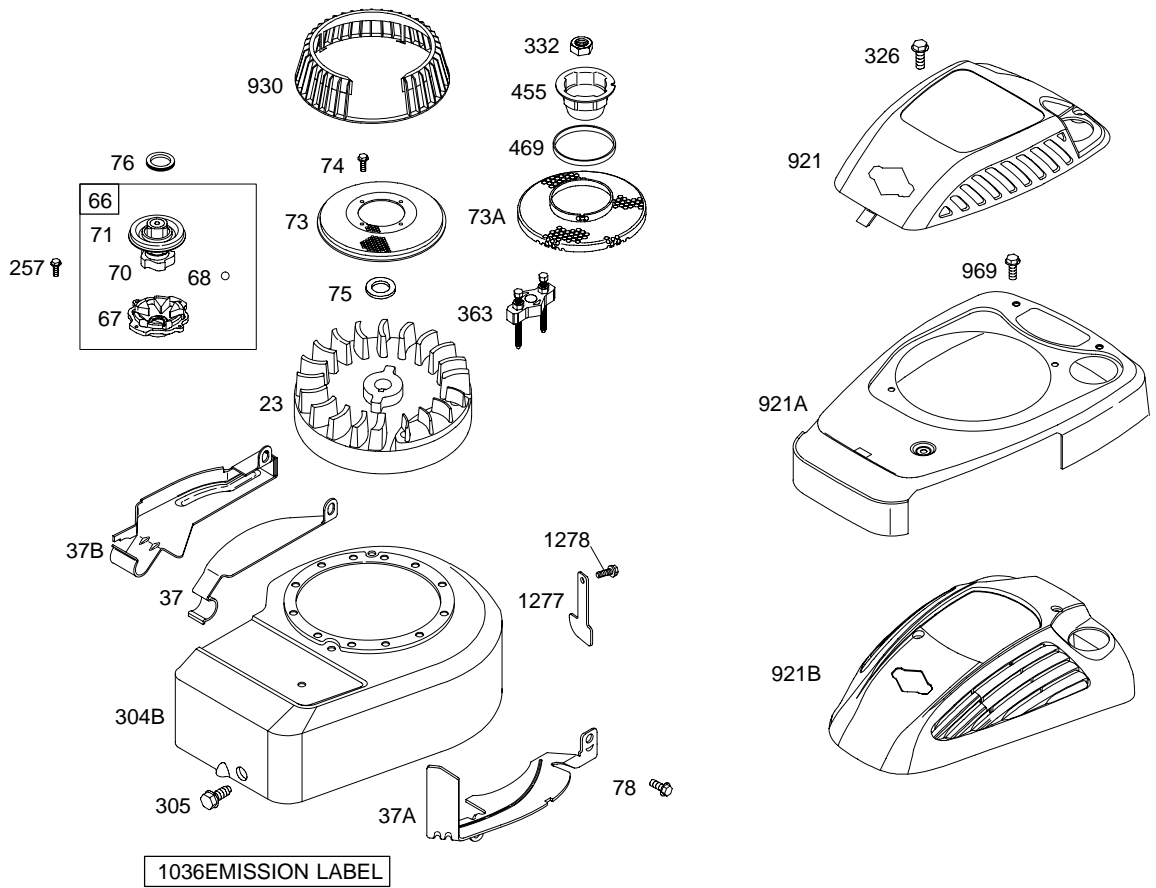




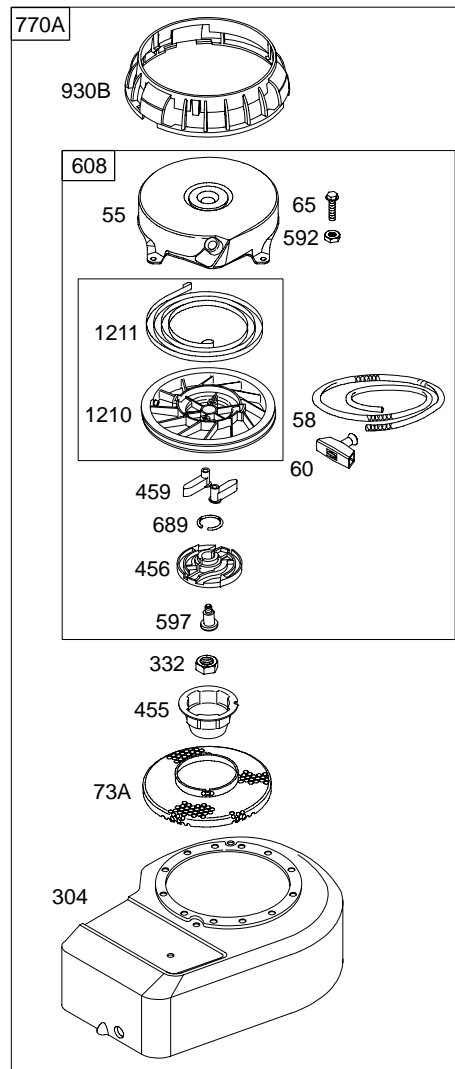
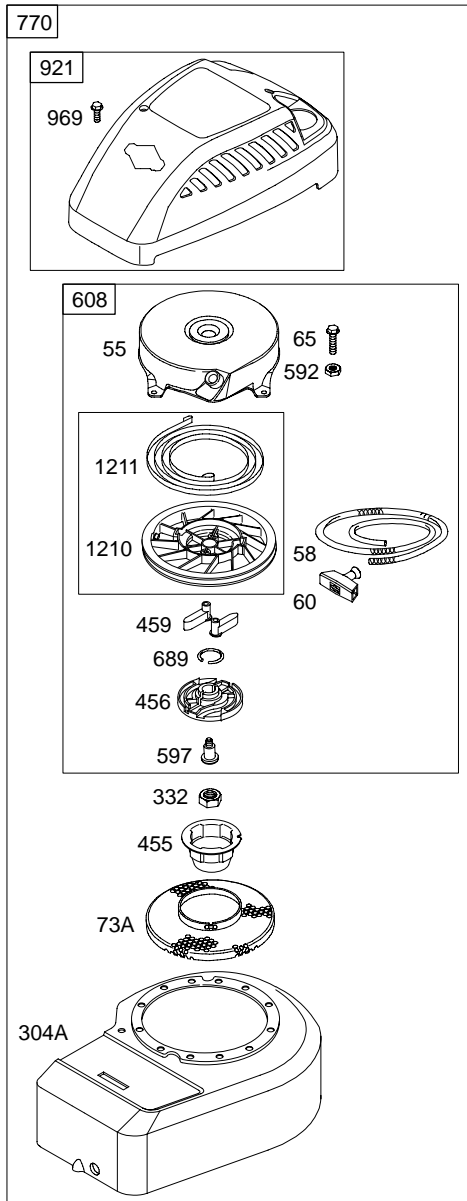
Illustrations cover a range of engines. Parts shown without corresponding text may not be used on your specific engine.  
 5039-5 Assemblies include all parts shown in frames. 05/28/2003




*Illustrations cover a range of engines. Parts shown without corresponding text may not be used on your specific engine.*



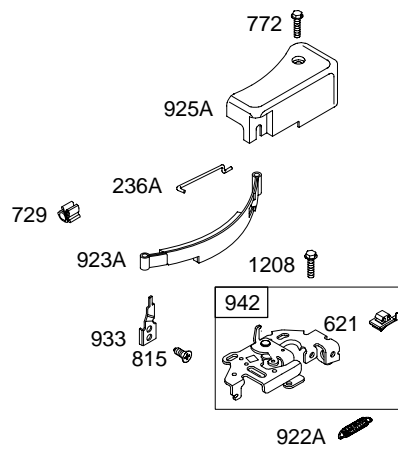
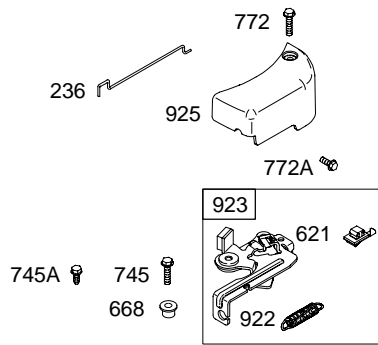
Illustrations cover a range of engines. Parts shown without corresponding text may not be used on your specific engine.  
 5039-7 Assemblies include all parts shown in frames. 05/28/2003



305







# 10E900

REF. NO.	PART NO.	DESCRIPTION	REF. NO.	PART NO.	DESCRIPTION	REF. NO.	PART NO.	DESCRIPTION
1A	697401	Cylinder Assembly	19	293709	Kit-Bushing/Seal (PTO Side)	29	496792	Rod-Connecting
2	399269	Kit-Bushing/Seal (Magneto Side)	20	★391483	Seal-Oil (PTO Side)	32	691664	Screw (Connecting Rod)
3	★299819	Seal-Oil (Magneto Side)	22	691662	Screw (Crankcase Cover/Sump) (1-5/32" Long)	33	296676	Valve-Exhaust
4B	698691	Sump-Engine	22A	691108	Screw (Crankcase Cover/Sump) (9/16" Long)	34	296677	Valve-Intake
5	690386	Head-Cylinder	23	692009	Flywheel	35	690520	Spring-Valve (Intake)
7	★△692288	Gasket-Cylinder Head	24	222698	Key-Flywheel	36	690520	Spring-Valve (Exhaust)
8	495785	Breather Assembly	25	498668	Piston Assembly (Standard)	37A	691209	Guard-Flywheel (Muffler Side)
9	★△272602	Gasket-Breather	26	498680	Ring Set (Standard)	37B	697403	Guard-Flywheel (Carburetor Side)
10	691666	Screw (Breather Assembly)	<b>Note</b>			40	692194	Retainer-Valve
11	691245	Tube-Breather	27	691588	Lock-Piston Pin	43	697799	Slinger-Governor/Oil
12	★692218	Gasket-Crankcase (.015" Thick) (Standard)	28	298909	Pin-Piston (Standard)	44	691762	Tappet-Valve
			<b>Note</b>			45	691998	Camshaft
			<b>270895</b>			46	691998	Camshaft
			<b>Gasket-Crankcase</b>			50	693446	Manifold-Intake
			<b>(.005" Thick)</b>			51	★270345	Gasket-Intake
			<b>270896</b>			54	691111	Screw (Intake Manifold)
			<b>Gasket-Crankcase</b>			55	692144	Housing-Rewind Starter
			<b>(.009" Thick)</b>			58	692259	Rope-Starter (Cut To Required Length)
13	691640	Screw (Cylinder Head)	<b>Note</b>			60	691915	Grip-Starter Rope
15	691680	Plug-Oil Drain (Flush)	<b>498681</b>			65	690837	Screw (Rewind Starter)
16	691471	Crankshaft Used on Type No(s). 0113.	<b>Ring Set (.010" Oversize)</b>			66	399671	Clutch-Starter
			<b>Note</b>			67	394897	Housing-Clutch
			<b>498682</b>			68	691604	Ball-Clutch
			<b>Ring Set (.020" Oversize)</b>			70	691945	Ratchet-Clutch
			<b>498683</b>			71	691359	Cover-Ratchet
			<b>Ring Set (.030" Oversize)</b>					
			<b>Note</b>					
			<b>298908</b>					
			<b>Pin-Piston (.005" Oversize)</b>					

★ Included in Engine Gasket Set-Ref. No.358.

● Included in Carburetor Overhaul Kit-Ref. No. 121.

◆ Included in Carburetor Gasket Set-Ref. No. 977.

△ Included in Valve Gasket Set-Ref. No 1095.

*Illustrations cover a range of engines. Parts shown without corresponding text may not be used on your specific engine.*

REF. NO.	PART NO.	DESCRIPTION	REF. NO.	PART NO.	DESCRIPTION	REF. NO.	PART NO.	DESCRIPTION
73A	694018	Screen—Rotating	209	697440	Spring—Governor (Brown)	211	691859	Spring—Governed Idle
74	691627	Screw (Rotating Screen)			———— <b>Note</b> ————	222B	697410	Bracket—Control
75	691736	Washer (Flywheel)			698726 Spring—Governor (Pink)	222C	698725	Bracket—Control (Fixed Speed) (Used After Code Date 02091500)
76	68238	Seal—Ratchet			Used on Type No(s). 0113, 0116.			Used on Type No(s). 0207.
78	692198	Screw (Flywheel Guard)			697801 Spring—Governor (Red)			———— <b>Note</b> ————
81	691179	Lock—Muffler Screw			(Used Before Code Date 02091600)			697796 Bracket—Control (Fixed Speed) (Used Before Code Date 02091600)
90	697415	Carburetor			Used on Type No(s). 0113.			Used on Type No(s). 0207.
97	697414	Shaft—Throttle			698719 Spring—Governor (Light Blue)	222D	699326	Bracket—Control (Used After Code Date 02091500)
106	691901	Seat—Inlet			Used on Type No(s). 0015, 0018, 0100, 0111, 0112, 0207.			Used on Type No(s). 0015, 0018.
130	691190	Valve—Throttle			697440 Spring—Governor (Brown)	227	697402	Lever—Governor Control
163	★271139	Gasket—Air Cleaner			(Used Before Code Date 02091600)	236	691867	Link—Lockout
180	494406	Tank—Fuel (Metal)			Used on Type No(s). 0015, 0018, 0111.	257	691660	Screw (Starter Clutch)
188	692198	Screw (Control Bracket)			697440 Spring—Governor (Brown)	265A	691024	Clamp—Casing (Steel With Tab)
190	691640	Screw (Fuel Tank) (2 1/16" Long)			(Used Before Code Date 02091600)			———— <b>Note</b> ————
190A	692198	Screw (Fuel Tank) (27/64" Long)			Used on Type No(s). 0015, 0018, 0111.			690798 Clamp—Casing (Die Cast)
201	690347	Link—Air Vane			697797 Spring—Governor (Gold)	267	691044	Screw (Casing Clamp)
202	698835	Link—Mechanical Governor			(Used Before Code Date 02091500)	268	691072	Casing—Control Wire (Cut To Required Length)
					Used on Type No(s). 0207.	269	691589	Wire—Control (Cut To Required Length)
						270	691027	Nut (Control Wire Casing)

★ Included in Engine Gasket Set—Ref. No.358.

● Included in Carburetor Overhaul Kit—Ref. No. 121.

◆ Included in Carburetor Gasket Set—Ref. No. 977.

△ Included in Valve Gasket Set—Ref. No 1095.

**Illustrations cover a range of engines. Parts shown without corresponding text may not be used on your specific engine.**

# 10E900

REF. NO.	PART NO.	DESCRIPTION	REF. NO.	PART NO.	DESCRIPTION	REF. NO.	PART NO.	DESCRIPTION
271	691028	Lever—Control	357	692191	Key—Drive Pulley	578	398153	Wire Assembly
287	691002	Screw (Dipstick Tube)	358	298989	Gasket Set—Engine			(2 Wires, 9–1/2", And 21–1/4" Long)
300	692307	Muffler (Super Lo Tone)	363	19069	Puller—Flywheel			(Snap Connect Insulated Female Blade Terminal, And 2 Bare Wire End)
300A	394569	Muffler (Round Lo Tone)	365	692200	Screw (Carburetor)	592	690800	Nut (Rewind Starter)
304B	697411	Housing—Blower	377	692193	Key—Woodruff	597	691696	Screw (Pawl Friction Plate)
305	692198	Screw (Blower Housing)	383	89838	Wrench—Spark Plug	608	499706	Starter—Rewind
306	690400	Shield—Cylinder	390	691839	Spring—Choke Diaphragm	612	496046	Tube—Pick Up
307	690345	Screw (Cylinder Shield)	393	691837	Screen—Carburetor	613	691413	Screw (Muffler)
326	694046	Screw (Rewind Guard)	394	495770	Diaphragm—Carburetor			(Super Lo Tone)
332	690662	Nut (Flywheel)	404	690272	Washer (Governor Crank)	615	690340	Retainer—Governor Shaft
333	496914	Armature—Magneto	455	691236	Cup—Flywheel	616	697405	Crank—Governor
334	691061	Screw (Magneto Armature)	456	692299	Plate—Pawl Friction	617	270344	Seal—O Ring (Intake Manifold)
335	691107	Screw (Magneto Armature With Air Vane)	459	281505	Pawl—Ratchet	621	692310	Switch—Stop
337	802592	Plug—Spark	469	694420	Ring—Rotating Trim	633	691321	Seal—Choke/Throttle Shaft
346	690661	Screw (Spark Arrestor)	505	691251	Nut (Governor Control Lever)	635	66538	Boot—Spark Plug
356	692390	Wire—Stop (1 Wire, 17" Long) (Snap Connect Insulated Female Blade Terminal, And Bare Wire End)	523	692040	Dipstick	668	692889	Spacer
356A	398808	Wire—Stop (2 Wires, 15" And 15–11/16" Long) (Snap Connect Insulated Female Blade Terminal, Ring Terminal)	524	★691876	Seal—Dipstick Tube	670	691633	Spacer—Fuel Tank (Compliance Engines)
			525	691320	Tube—Dipstick	676	393756	Deflector—Muffler
			529	692189	Grommet (Breather)	677	690661	Screw (Muffler Deflector)
			534	691417	Screw (Air Cleaner)	689	691855	Spring—Friction (Ratchet Pawl)
			535	272235	Filter—Air Cleaner Foam	718	690959	Pin—Locating (Cylinder)
			535A	698369	Filter—Air Cleaner Foam	718A	499047	Pin—Locating (Crankshaft)
			536	493492	Cleaner—Air (Metal) (Used Before Code Date 02101100)	724	697478	Retainer—Seal
			536A	698472	Cleaner—Air (Plastic) (Used After Code Date 02101000)	729	690586	Clip—Wire
			562	92613	Bolt (Governor Control Lever)	741	691805	Gear—Timing
			570	691911	Support—Foam Element			

★ Included in Engine Gasket Set—Ref. No.358.

● Included in Carburetor Overhaul Kit—Ref. No. 121.

◆ Included in Carburetor Gasket Set—Ref. No. 977.

△ Included in Valve Gasket Set—Ref. No 1095.

**Illustrations cover a range of engines. Parts shown without corresponding text may not be used on your specific engine.**

# 10E900

REF. NO.	PART NO.	DESCRIPTION	REF. NO.	PART NO.	DESCRIPTION	REF. NO.	PART NO.	DESCRIPTION	
745	691146	Screw (Brake)	871	231348	Bushing-Valve Guide (Exhaust Valve)	976	694394	Primer-Carburetor	
745A	690859	Screw (Brake)			———— <b>Note</b> ————	994	398067	Arrestor-Spark	
772	691111	Screw (Linkage Cover)			63709	Bushing-Valve Guide (Intake Valve)	1019	697428	Kit-Label
772A	690345	Screw (Linkage Cover)	883	★△691880	Gasket-Exhaust	1036	695108	Label-Emissions	
832	494896	Guard-Muffler (Super Lo Tone)	913	494409	Seat-Check Valve	1058	275508	Manual-Owner's	
836	690664	Screw (Muffler Guard)	921	694044	Cover-Blower Housing	1095	498526	Gasket Set-Valve	
842	★691870	Seal-O Ring (Dipstick Tube)	922	692135	Spring-Brake	1210	499901	Pulley/Spring Assembly (Pulley)	
847	691440	Dipstick/Tube Assembly	923	691487	Brake	1211	499901	Pulley/Spring Assembly (Spring)	
851	493880	Terminal-Spark Plug	925	691349	Cover-Linkage	1218	695866	Seal-O Ring (Carburetor)	
869	691701	Seat-Valve (Intake)	930	691348	Guard-Rewind	1277	698718	Guard-Governor Nut	
870	691702	Seat-Valve (Exhaust)	957	497929	Cap-Fuel Tank (Plastic)	1278	691002	Screw (Governor Guard Nut) (Governor Lever Nut Guard Mounting)	
			969	692198	Screw (Blower Housing Cover) (1-19/32" Long)				
			973	691347	Ring-Trim (Primer Bulb)				

★ Included in Engine Gasket Set-Ref. No.358.

● Included in Carburetor Overhaul Kit-Ref. No. 121.

◆ Included in Carburetor Gasket Set-Ref. No. 977.

△ Included in Valve Gasket Set-Ref. No 1095.

**Illustrations cover a range of engines. Parts shown without corresponding text may not be used on your specific engine.**