



# SERVICE PARTS LIST

**BUL. 54-08-2103**

**1/2" ELECTRIC DRILL**

REVISED BUL 54-08-2103 DATE Aug. '72

**Catalog No. 1100**

Starting Serial No. **14-73340**

WIRING INSTR. **58-01-0170**

Both Model and Serial No. must be furnished to obtain correct parts.

450 R.P.M.

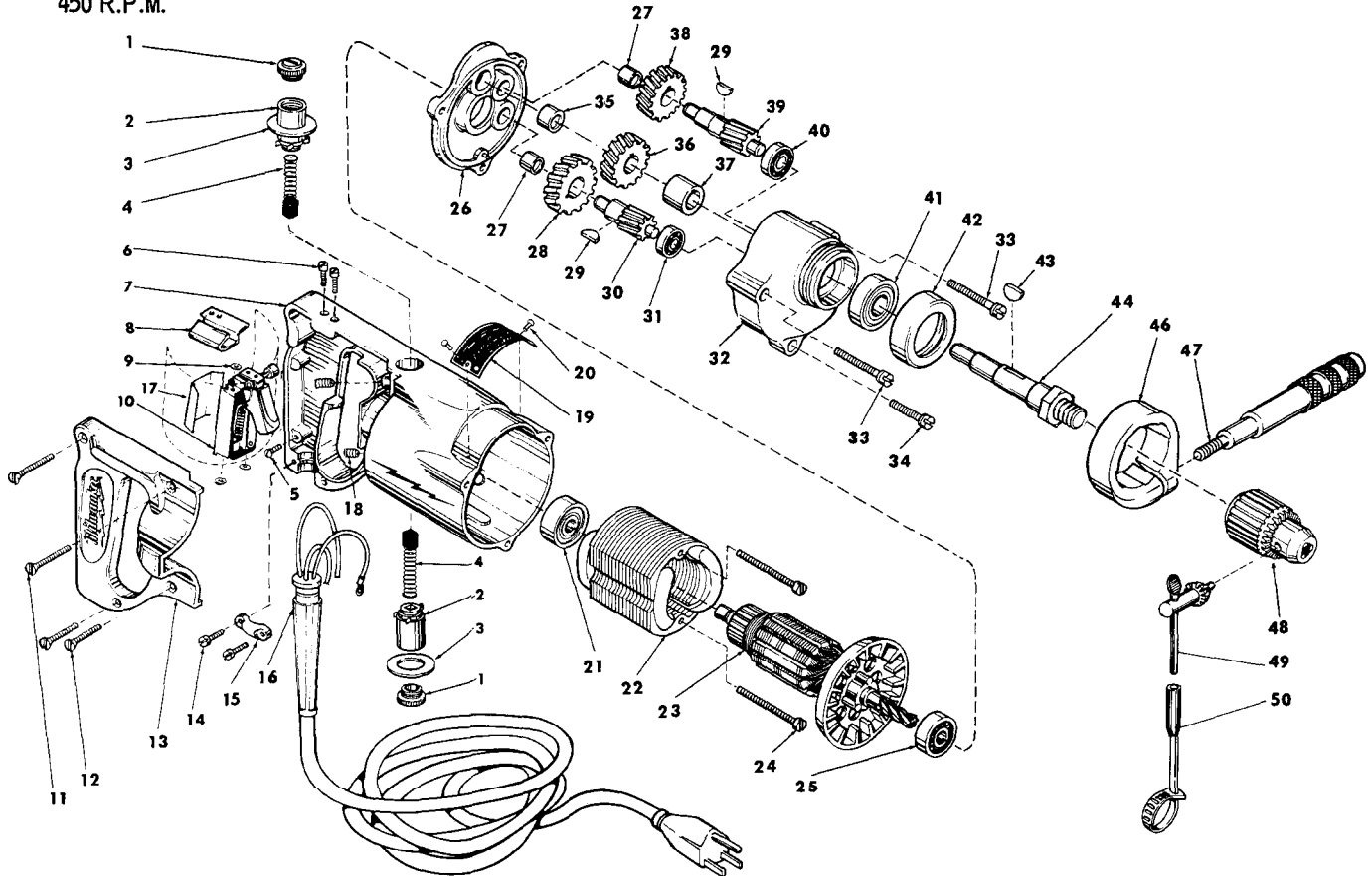


FIG.	PART NO.	DESCRIPTION OF PART	NO.REQ.	FIG.	PART NO.	DESCRIPTION OF PART	NO.REQ.
	1	23-44-0060	(2)	26	28-28-0661	Diaphragm	
	2	22-22-0080	(2)	27	02-50-1640	Needle Bearing	(2)
	3	23-86-0110	(2)	28	32-40-1241	Intermediate Gear	
	4	22-18-0100		29	06-42-0800	Woodruff Key	(2)
	5	06-81-8625		30	36-66-2801	Intermediate Shaft	
	6	06-81-5800	(2)	31	02-04-0640	Ball Bearing	
	7	28-50-4481		32	28-14-1261	Gear Case	
★	8	42-68-0225		33	06-81-6650	8-32x1-3/4 Fil. Hd. Sem	(2)
	9	06-97-1800	(4)	34	06-81-6350	8-32x1 Fil. Hd. Sem	
	10	23-66-0230		35	02-50-2110	Needle Bearing	
	11	06-81-3750	(2)	36	32-75-2061	Spindle Gear	
	12	06-81-3700	(2)	37	45-36-0210	Spindle Gear Spacer	
★	13	28-20-3601		38	32-75-2041	Spindle Gear	
	14	06-81-6150	(2)	39	36-66-4001	Intermediate Shaft	
	15	28-17-0400		40	02-04-0820	Ball Bearing	
	16	22-64-0170		41	02-04-1560	Ball Bearing	
★	17	23-16-0340		42	42-52-0071	Bearing Cap	
	18	06-83-2650	(2)	43	06-42-1600	Woodruff Key	
★	19	12-99-0030		44	38-50-3601	Spindle	
★	20	06-85-0200	(2)	★45	49-15-0200	Handle Assy. (Includes Fig. Nos. 46 & 47)	
	21	02-04-0970		★46	28-82-0130	Handle Ring	
★	22	18-42-1040		47	43-62-0160	Side Handle	
	23	16-42-1210		48	48-66-1280	Chuck	
	24	06-81-6600	(2)	49	48-66-3280	Chuck Key	
	25	02-04-0940		50	48-66-4040	Key Holder	