



# SERVICE PARTS LIST

BUL. 54-08-1164

1/2" DRILL

REVISED BUL. 54-08-1163 DATE March '79

Catalog No. 1101

Starting Serial No. 492-16000

WIRING INSTRUCTIONS 58-01-0181

Specify Catalog and Serial No. when ordering parts

500 R.P.M. FOR CAT. NO. 1101-2  
4.5 AMPS (240V) TOOL USE:  
18-36-0200 FIELD  
16-36-0305 ARMATURE  
22-16-0255 CARBON BRUSH  
22-64-4100 CORD SET

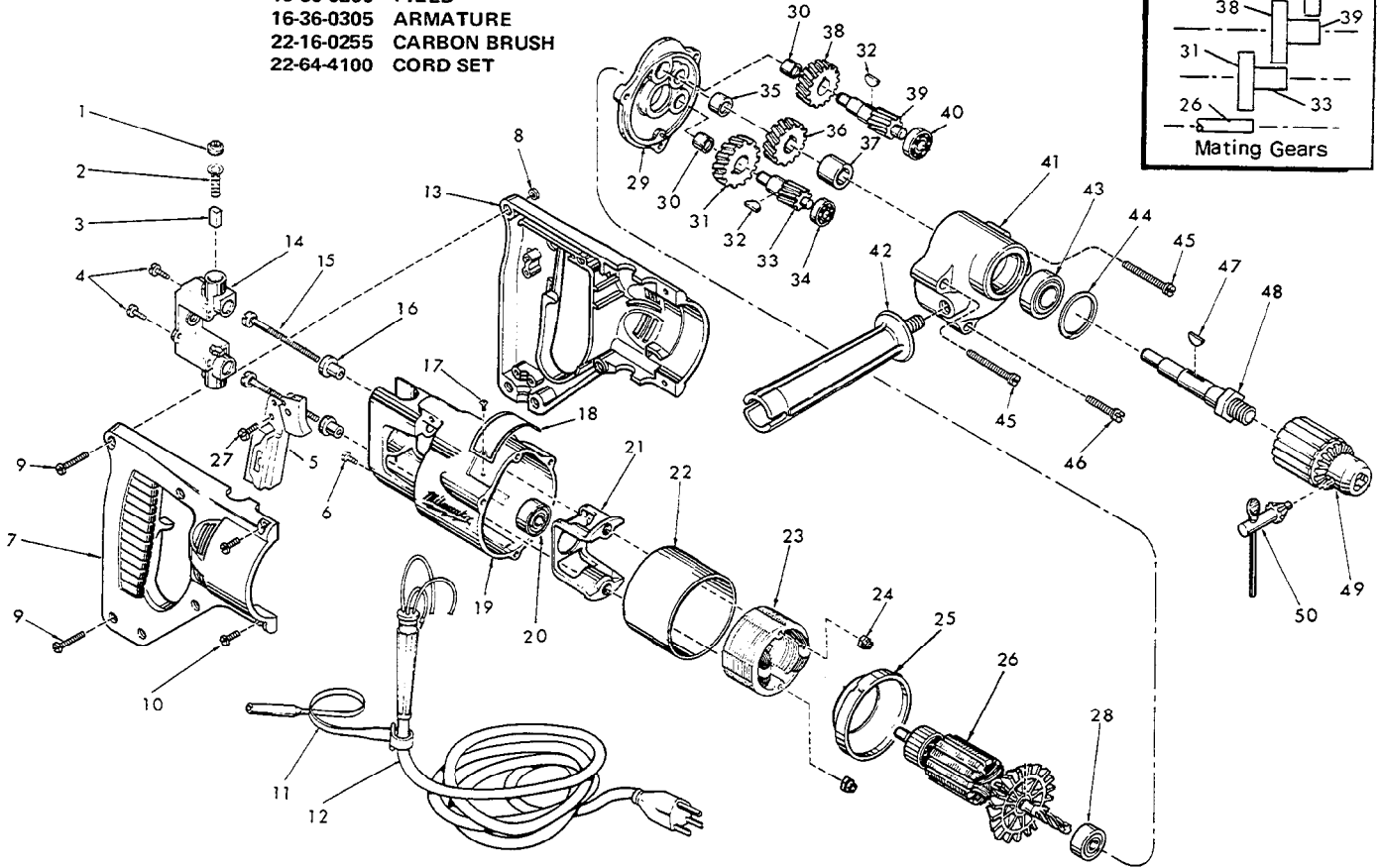
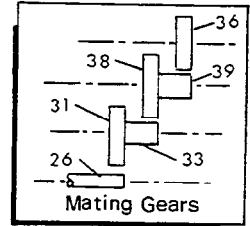


FIG.	PART NO.	DESCRIPTION OF PART	NO. REQ.
1	23-44-0120	Brush Retaining Screw	(2)
2	23052-0160	Brush Spring	(2)
3	22-16-0250	Carbon Brush	(2)
4	06-81-5477	6-32x3/8 Phillips Pan Hd. Sem	(2)
5	23-66-0505	Switch	(1)
6	06-81-8625	6-32x1/4 Ground Screw	(1)
7	31-44-0562	R.H. Half D Handle	(1)
8	06-55-0825	8-32 Hex Nut	(5)
9	06-81-0472	8-32x1 Pan Hd. Screw	(5)
10	06-81-0047	8-32x1/2 Pan Hd. Screw	(4)
11	48-66-4040	Key Holder	(1)
12	22-64-0405	Cord Set	(1)
13	31-44-0572	L.H. Half D Handle	(1)
14	22-22-0302	Brush Holder Assembly	(1)
15	06-81-1055	8-32x2-3/16 Field Bolt	(2)
16	31-86-0120	Insulating Spacer	(2)
17	06-85-0200	6x1/4 Rd. Hd. Type Z Screw	(2)
18	12-99-0030	Nameplate	(1)
19	28-50-6147	Motor Housing	(1)
20	02-04-0891	Ball Bearing	(1)
21	31-55-0030	Coil Shield	(1)
22	23-16-0456	Field Insulator	(1)
23	18-30-0200	120 V. Field	(1)
24	06-57-2975	8-32 Flexlock Hex Nut	(2)
25	31-05-0050	Baffle	(1)
26	16-30-0305	120 V. Armature	(1)

FIG.	PART NO.	DESCRIPTION OF PART	NO. REQ.
27	06-95-0215	8-18x1/2 Thread Form Screw	(1)
28	02-04-0940	Ball Bearing	(1)
29	28-28-0662	Diaphragm	(1)
30	02-50-1640	Needle Bearing	(2)
31	32-40-1241	Intermediate Gear	(1)
32	06-42-0800	Woodruff Key	(2)
33	36-66-2801	Intermediate Shaft	(1)
34	02-04-0640	Ball Bearing	(1)
35	02-50-2110	Needle Bearing	(1)
36	32-75-2061	Spindle Gear	(1)
37	45-36-0210	Spindle Gear Spacer	(1)
38	32-75-2041	Spindle Gear	(1)
39	36-66-4001	Intermediate Shaft	(1)
40	02-04-0820	Ball Bearing	(1)
★41	28-14-0691	Gear Case	(1)
★42	43-62-0600	Side Handle	(1)
43	02-04-1560	Ball Bearing	(1)
★44	34-80-2500	Retaining Ring	(1)
45	06-81-6707	8-32x1-7/8 Fil Hd. Sem	(2)
46	06-81-6402	8-32x1-1/8 Fil. Hd. Sem	(1)
47	06-42-1600	Woodruff Key	(1)
48	38-50-3601	Spindle	(1)
49	48-66-1280	1/2" Chuck (Includes Fig. No. 50)	(1)
50	48-66-3280	Chuck Key	(1)
★51	10-98-5985	Warning Label (Not Shown)	(1)