

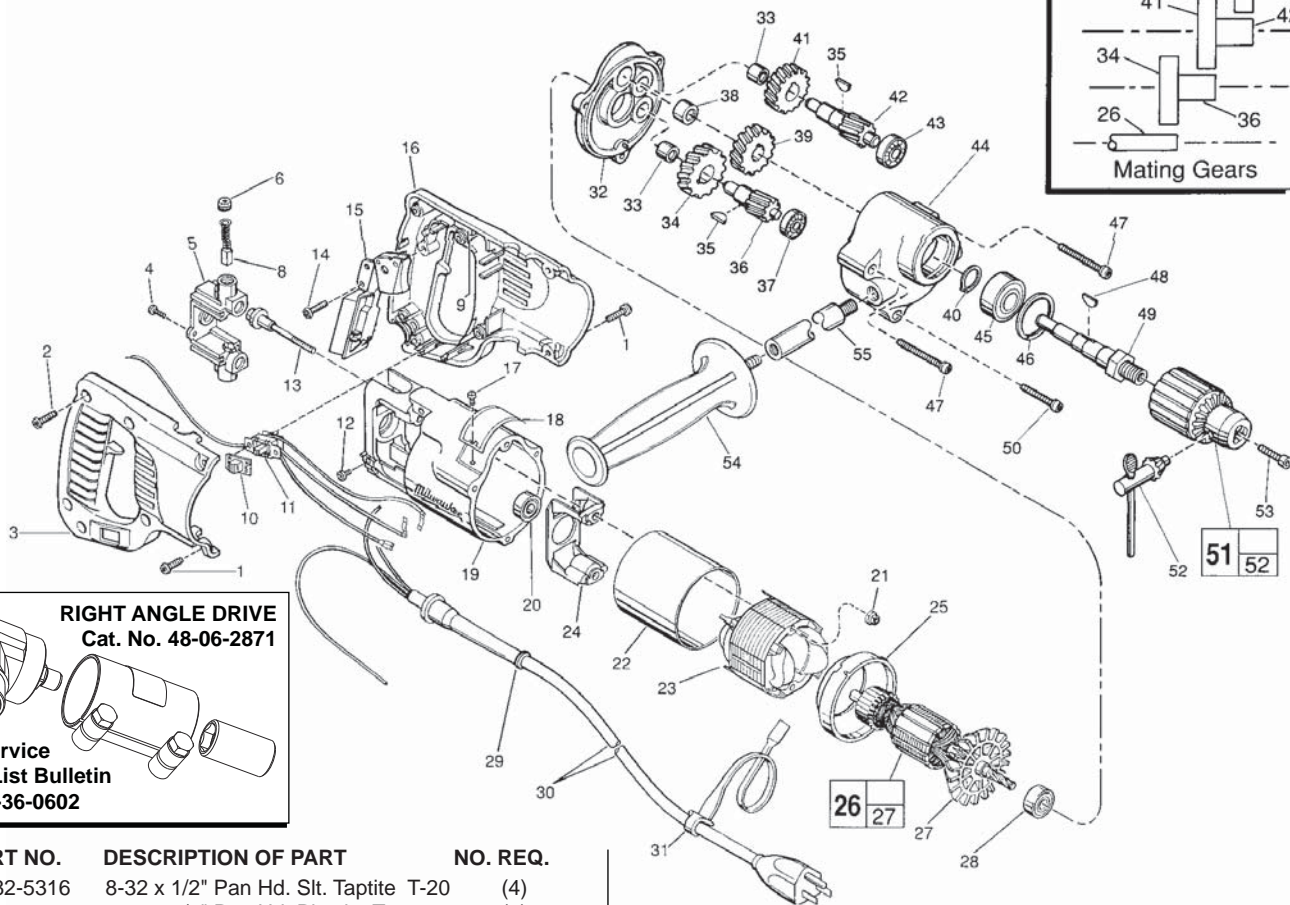
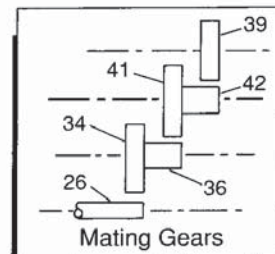


SERVICE PARTS LIST

BULLETIN NO.
54-08-1193

SPECIFY CATALOG NO. AND SERIAL NO. WHEN ORDERING PARTS		REVISED BULLETIN 54-08-1192	DATE Jan. 2013
1/2" REVERSING DRILL			
CATALOG NO.	1101-1	STARTING SERIAL NO.	493D
			WIRING INSTRUCTION 58-01-0224

EXAMPLE:
Component Parts (Small #) Are Included
When Ordering The Assembly (Large #).



RIGHT ANGLE DRIVE
Cat. No. 48-06-2871

See Service
Parts List Bulletin
No. 54-36-0602

FIG.	PART NO.	DESCRIPTION OF PART	NO. REQ.
1	06-82-5316	8-32 x 1/2" Pan Hd. Slit. Taptite T-20	(4)
2	06-82-7270	8-16 x 5/8" Pan Hd. Plastite T-20	(5)
3	31-44-1651	Right Handle Half	(1)
4	06-95-0075	6-32 x 3/8" Truss Hd. Taptite T-10	(2)
5	22-22-1380	Brush Holder Assembly	(1)
6	23-44-0190	Brush Retaining Cap	(2)
7	23-52-0160	Brush Spring	(2)
★ 8	22-18-0910	Carbon Brush Assembly	(2)
9	14-46-1001	Foam Pad Kit (10 Slugs)	(1)
10	31-12-0196	Switch Cap	(1)
11	23-66-1869	Switch Assembly	(1)
12	06-95-5150	6-32 x 1/4" Hex Hd. Taptite Sems	(1)
13	06-81-1060	8-32 x 2-1/4" Field Bolt	(2)
14	06-82-7270	8-16 x 5/8" Pan Hd. Plastite T-20	(1)
15	23-66-0167	On-Off Switch	(1)
16	31-44-1656	Left Handle Half	(1)
17	06-72-1720	Nameplate Rivet	(2)
18	12-99-1750	Service Nameplate	(1)
19	28-50-6220	Motor Housing	(1)
20	02-04-0845	Ball Bearing	(1)
21	06-57-2975	8-32 Flexlock Hex Nut	(1)
22	23-16-0456	Field Insulator	(1)
★ 23	18-31-0600	120 V. Field	(1)
24	31-55-0190	Coil Shield	(1)
★ 25	31-05-0055	Baffle	(1)
★ 26	16-30-0226	120 V. Armature	(1)
27	22-84-0531	Fan Assembly	(1)
28	02-04-0911	Ball Bearing	(1)
29	44-76-0210	Cord Protector	(1)
30	22-64-3190	Cord Set	(1)
31	48-66-4040	Key Holder	(1)
32	28-28-0611	Diaphragm	(1)
33	02-50-1640	Needle Bearing	(2)

FIG.	PART NO.	DESCRIPTION OF PART	NO. REQ.
34	32-40-1251	Intermediate Gear	(1)
35	06-42-0800	Woodruff Key	(2)
36	36-66-2811	Intermediate Shaft	(1)
37	02-04-0640	Ball Bearing	(1)
38	02-50-2440	Needle Bearing	(1)
★ 39	32-75-3470	Spindle Gear	(1)
40	34-60-1200	Retaining Ring	(1)
41	32-75-2051	2nd Intermediate Gear	(1)
★ 42	36-66-9670	2nd Intermediate Shaft	(1)
43	02-04-0820	Ball Bearing	(1)
★ 44	28-14-1922	Gear Case	(1)
45	02-04-1536	Ball Bearing	(1)
46	34-80-2500	Retaining Ring	(1)
47	06-82-5532	8-32 x 2-1/2" Pan Hd. Taptite T-20	(2)
48	06-42-2000	Woodruff Key	(1)
49	38-50-5475	Spindle	(1)
50	06-82-5432	8-32 x 1-5/8" Pan Hd. Taptite T-20	(1)
51	48-66-1360	1/2" Chuck	(1)
52	48-66-3280	Chuck Key	(1)
53	06-75-3150	1/4-20 x 1" L.H. Skt. Hd. Cap Screw	(1)
★ 54	43-62-1265	Side Handle	(1)
★ 55	43-62-1170	Side Handle Extension	(1)

FIG. LUBRICATION:
44 3-3/4 Oz. Type "A" Grease, No. 49-08-0800.

FIG. NOTES:
54 Apply Red Loctite To Threads Of Side Handle.

MILWAUKEE ELECTRIC TOOL CORPORATION
13135 W. LISBON RD., BROOKFIELD, WI 53005
Drwg. 2