



SERVICE PARTS LIST

BUL. 54-08-2022

1/2" DOUBLE INSULATED DRILL

REVISED BUL.
54-08-2021

DATE
Jan. '78

Catalog No. 1106-1

Starting
Serial No. **482-3900**

WIRING INSTRUCTIONS
58-01-0219

Specify Catalog and Serial No. when ordering parts

500 R.P.M.
4.5 AMPS

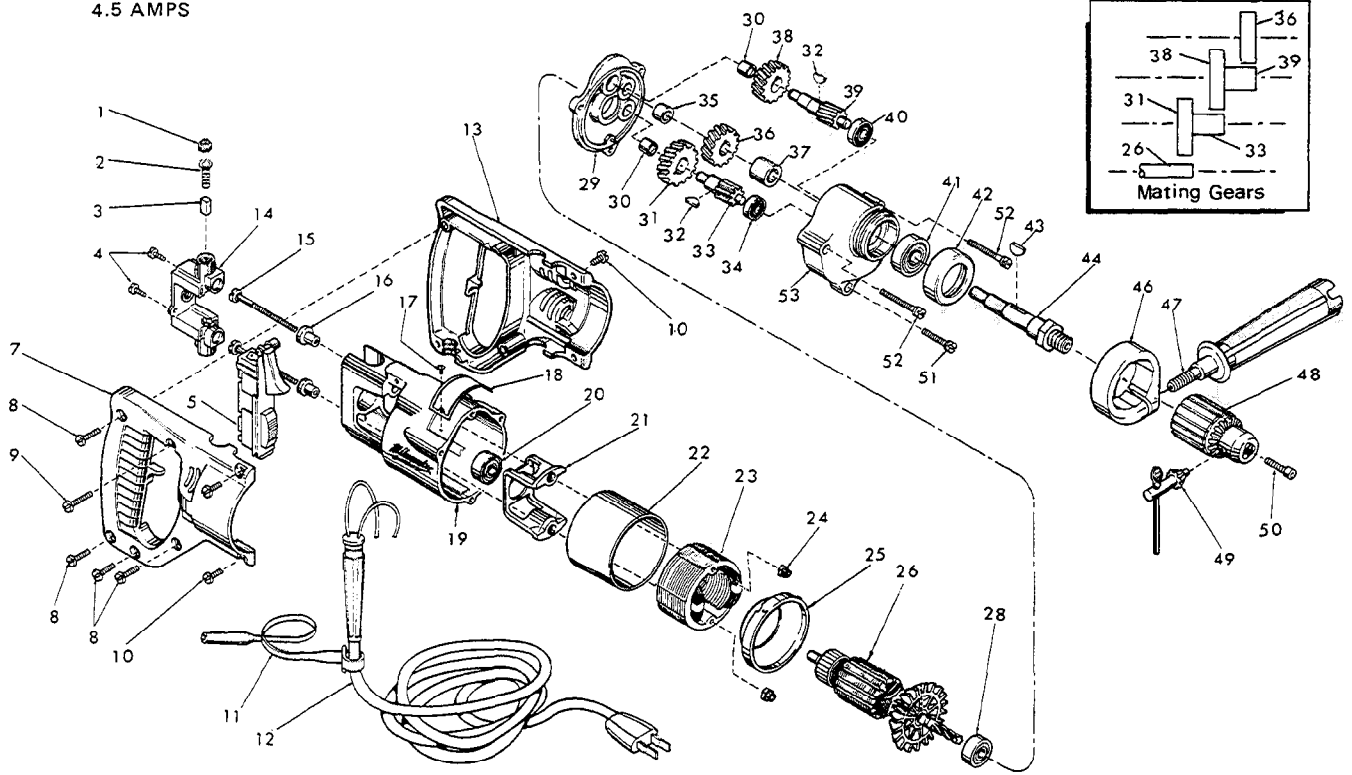


FIG.	PART NO.	DESCRIPTION OF PART	NO. REQ.
1	23-44-0120	Brush Retaining Screw	(2)
2	23-52-0160	Brush Spring	(2)
3	22-16-0250	Carbon Brush	(2)
4	06-81-5475	6-32x3/8 Binding Hd. Sem	(1)
5	23-66-0751	Switch	(1)
★ 7	31-44-0326	R.H. Half D Handle	(1)
8	06-81-0402	8-32x3/4 Pan Hd. Screw	(4)
9	06-81-0472	8-32x1 Pan Hd. Screw	(1)
10	06-81-0047	8-32x1/2 Pan Hd. Screw	(4)
11	48-66-4040	Key Holder	(1)
12	22-64-0625	Cord Set	(1)
13	31-44-0321	L.H. Half D Handle	(1)
14	22-22-0300	Brush Holder Assembly	(1)
★ 15	06-81-1055	8-32x2-7/16 Field Bolt	(2)
16	31-86-0120	Insulating Spacer	(2)
17	06-85-0200	6x1/4 Rd. Hd. Type Z Screw	(2)
18	12-99-0037	Nameplate Blank	(1)
19	28-50-6147	Motor Housing	(1)
20	02-04-0891	Ball Bearing	(1)
★ 21	31-55-0030	Coil Shield	(1)
★ 22	23-16-0456	Field Insulator	(1)
★ 23	18-30-0210	120V. Field	(1)
24	06-57-2975	8-32 Flexlock Hex Nut	(2)
25	31-05-0050	Baffle	(1)
★ 26	16-30-0310	120V. Armature	(1)
28	02-04-0940	Ball Bearing	(1)
29	28-28-0662	Diaphragm	(1)

FIG.	PART NO.	DESCRIPTION OF PART	NO. REQ.
30	02-50-1640	Needle Bearing	(2)
31	32-40-1241	Intermediate Gear	(1)
32	06-42-0800	Woodruff Key	(2)
33	36-66-2801	Intermediate Shaft	(1)
34	02-04-0640	Ball Bearing	(1)
35	02-50-2110	Needle Bearing	(1)
36	32-75-2061	Spindle Gear	(1)
37	45-36-0210	Spindle Gear Spacer	(1)
38	32-75-2041	Spindle Gear	(1)
39	36-66-4001	Intermediate Shaft	(1)
40	02-04-0820	Ball Bearing	(1)
41	02-04-1560	Ball Bearing	(1)
42	42-52-0071	Bearing Cap	(1)
43	06-42-1600	Woodruff Key	(1)
44	38-50-3651	Spindle	(1)
45	49-15-0200	Side Handle Assy. (Includes Nos. 46 & 47)	(1)
46	28-82-0130	Handle Ring	(1)
47	43-62-0550	Side Handle	(1)
48	48-66-1360	1/2" Chuck (Includes Fig. No. 49)	(1)
49	48-66-3280	Chuck Key	(1)
50	06-75-3150	1/4-20x1 L.H. Skt. Hd. Cap Screw	(1)
51	06-81-6402	8-32x1-1/8 Fil. Hd. Sem	(1)
52	06-81-6707	8-32x1-7/8 Fil. Hd. Sem	(2)
53	28-14-1261	Gear Case	(1)
54	12-98-7081	Caution Plate (Not Shown)	(1)