



SERVICE PARTS LIST

BULLETIN NO.
55-08-1220

SPECIFY CATALOG NO. AND SERIAL NO. WHEN ORDERING PARTS		REVISED BULLETIN 55-08-1219	DATE Dec. 2001
1/2" REVERSING DRILL			
CATALOG NO.	1107-50	STARTING SERIAL NO.	629D
		WIRING INSTRUCTION 58-03-1541	

EXAMPLE:
Component Parts (Small #)
Are Included When Ordering
The Assembly (Large #).

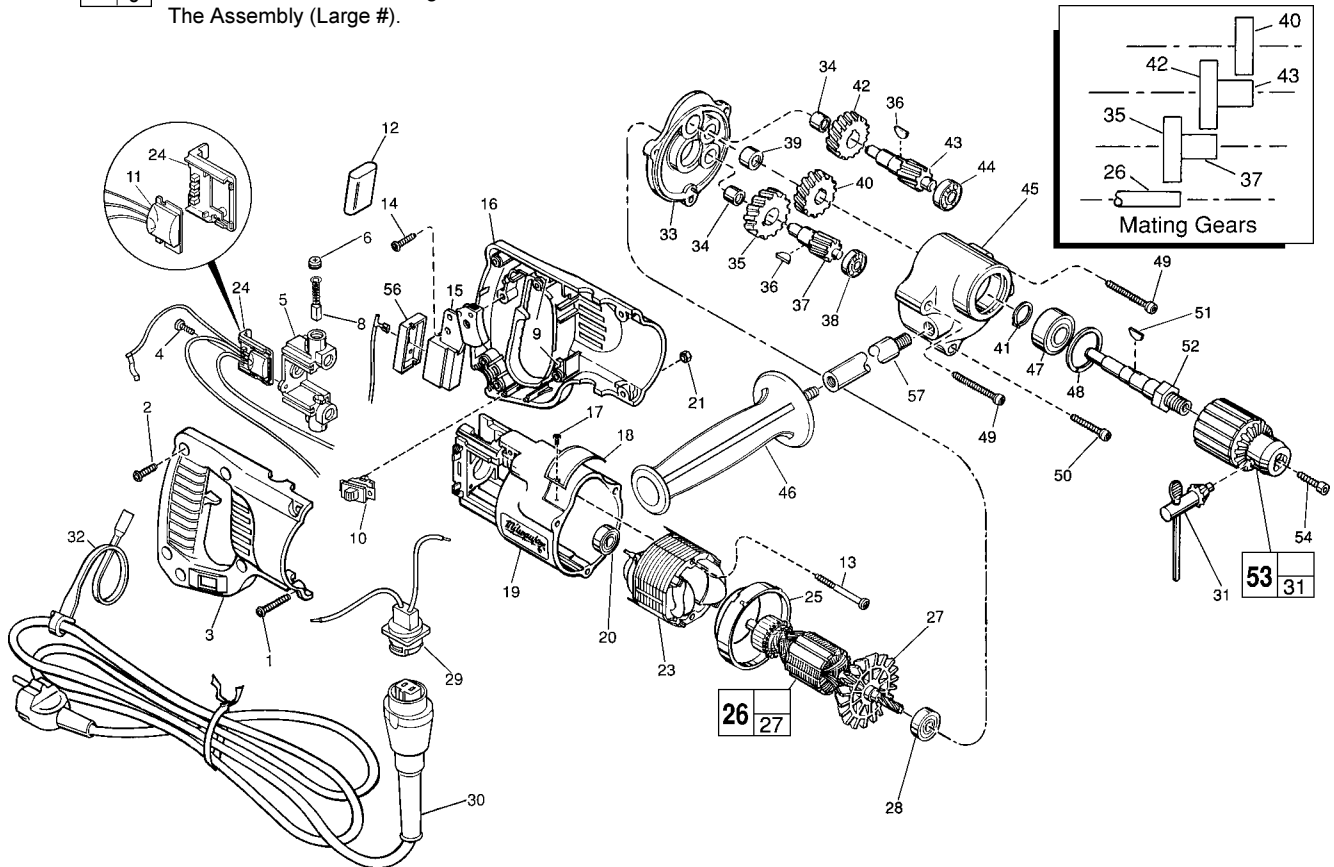


FIG.	PART NO.	DESCRIPTION OF PART	NO. REQ.
	1	06-82-2390 8-32 x 1-1/4" Pan Hd. Slotted T-20	(2)
	2	06-82-7270 8-16 x 5/8" Pan Hd. Plastite T-20	(5)
★	3	31-44-1666 Right Handle Half	(1)
	4	06-82-7240 6-19 x 1/2" Pan Hd. Plastite T-15	(2)
	5	22-22-1380 Brush Holder Assembly	(1)
	6	23-44-0190 Brush Retaining Cap	(2)
	8	22-18-0915 Carbon Brush Assembly	(2)
	9	14-46-1001 Foam Slug Kit-10 Slugs	(2)
	10	14-20-0685 Reversing Switch And Cap Assembly	(1)
	11	14-20-0605 Remote Electronic Assembly	(1)
	12	14-20-0580 Suppressor Assembly	(1)
	13	06-82-7410 8-16 x 1-7/8" Pan Hd Slit. Plastite T-20	(2)
	14	06-82-7270 8-16 x 5/8" Pan Hd. Plastite T-20	(1)
	15	23-66-1975 Switch	(1)
★	16	31-44-1661 Left Handle Half	(1)
	17	06-85-0200 Nameplate Screw	(2)
★	18	12-99-2677 Service Nameplate	(1)
	19	31-50-0020 Motor Housing	(1)
	20	02-04-0845 Ball Bearing	(1)
	21	06-55-0835 8-32 Hex Nut	(2)
	23	18-32-0260 Field	(1)
	24	43-72-0176 Heat Sink Holder	(1)
	25	31-05-0055 Baffle	(1)
	26	16-34-0327 Armature	(1)
	27	22-84-0531 Fan Assembly	(1)
	28	02-04-0911 Ball Bearing	(1)
★	29	22-56-0692 Blade Housing Assembly	(1)
★	30	48-76-5012 Quik-Lok Cord Set	(1)
★	30	22-64-0684 Quik-Lok Cord Set (Australia)	(1)
	31	48-66-3280 Chuck Key	(1)
	32	48-66-4040 Key Holder	(1)

FIG.	PART NO.	DESCRIPTION OF PART	NO. REQ.
	33	28-28-0611 Diaphragm	(1)
	34	02-50-1640 Needle Bearing	(2)
	35	32-40-1251 Intermediate Gear	(1)
	36	06-42-0800 Woodruff Key	(2)
	37	36-66-2811 Intermediate Shaft	(1)
	38	02-04-0640 Ball Bearing	(1)
	39	02-50-2440 Needle Bearing	(1)
	40	32-75-3470 Spindle Gear	(1)
	41	34-60-1200 Retaining Ring	(1)
	42	32-75-2051 2nd Intermediate Gear	(1)
	43	36-66-9670 2nd Intermediate Shaft	(1)
	44	02-04-0820 Ball Bearing	(1)
	45	28-14-1922 Gear Case	(1)
	46	43-62-0880 Side Handle	(1)
	47	02-04-1536 Ball Bearing	(1)
	48	34-80-2500 Retaining Ring	(1)
	49	05-88-5927 K50 x 63mm PT Screw	(2)
	50	05-88-5905 K50 x 41mm PT Screw	(1)
	51	06-42-2000 Woodruff Key	(1)
	52	38-50-5475 Spindle	(1)
	53	48-66-1360 1/2" Chuck	(1)
	54	06-75-3150 1/4-20 x 1" L.H. Skt. Cap Screw	(1)
	56	45-12-0470 Dust Shield	(1)
	57	43-62-1170 Side Handle Extension	(1)

FIG. LUBRICATION:

45 3-3/4 Oz. Type "A" Grease, No. 49-08-0800.

FIG. NOTES:

46 Apply Red Loctite To Threads Of Side Handle.

MILWAUKEE ELECTRIC TOOL CORPORATION
13135 W. LISBON RD., BROOKFIELD, WI 53005