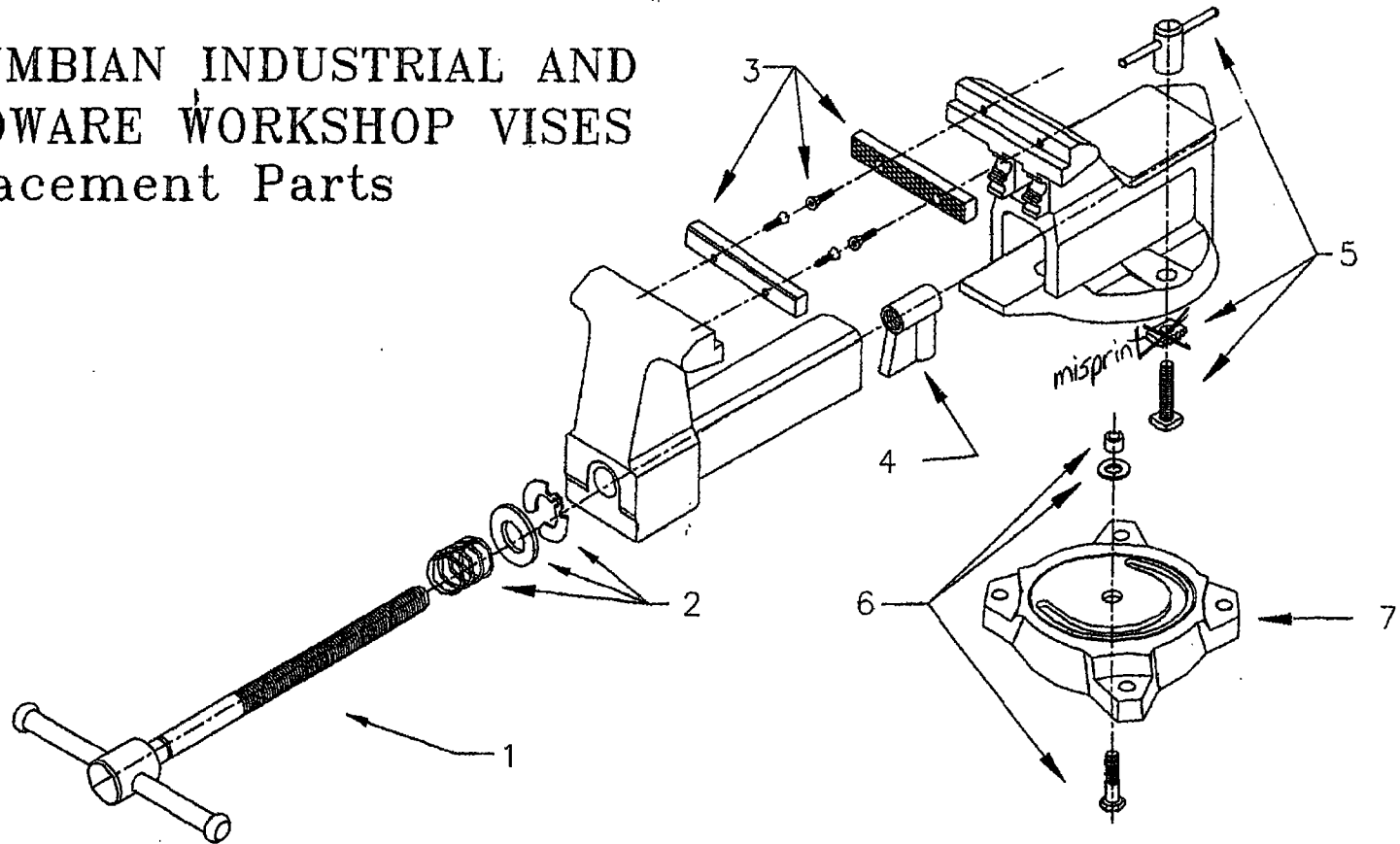


# COLUMBIAN INDUSTRIAL AND HARDWARE WORKSHOP VISES Replacement Parts



WILTON MODEL NUMBER	WIDTH OF JAWS (ITEM #3)	ITEM #1 SPINDLE & HANDLE ASSEMBLY	ITEM #2 SPRING, RETAINER, & WASHER	ITEM #3 SERRATED JAW INSERTS W/ SCREWS	ITEM #4 SPINDLE NUT ONLY	ITEM #5 LOCK NUT AND BOLT ASSEMBLY	ITEM #6 CENTER BOLT KIT	ITEM #7 OUTER RING ONLY
D54	4-1/2"	87001-21	11103S25	11104S41	11113S14	11103S51	11103S50	11123S03
D55	5-1/2"	87003-21	11104S25	11124S41	11114S14	11104S51	11103S50	11124S03
D56	6-1/2"	87005-21	11105S25	11125S41	11115S14	11104S51	11103S50	11125S03
D46	6"	87005-21	11105S25	11106S41	11115S14	11106S51	11106S50	11106-45
D4*	4-1/2"	87001-21	11103S25	11104S41	11113S14-15	11103S51	11103S50	11120S03
D5**	5-1/2"	87003-21	11104S25	11124S41	11114S14-15	11104S51	11103S50	11121S03
D6***	6-1/2"	87005-21	11105S25	11125S41	11115S14-15	11104S51	11103S50	11122S03
S6****	6-1/2"	<del>11206S23</del> 2900580	11105S25	11106S41	11115S14-15	11106S51	11106S50	11200S03

*misprint*

*Current*

*Look like this*

\* Model D4 replaced model D54, which replaced model D43-1/2  
 \*\* Model D5 replaced model D55, which replaced model D44-1/2  
 \*\*\* Model D6 replaced model D56, which replaced model D45-1/2  
 \*\*\*\* Model S6 replaced model D46

*Difference between the D50 Series & current models is color. D50 was red Now made gray.*