

Rotary Hammer - 0 611 240 039 - 11240

www.powertools-aftersaleservice.com



BOSCH

Item	Part Number	Description	Illustration	Price	Quantity	Price Group
1	1 615 102 154	Motor Housing BLUE	1	-,-	1	31
4	1 617 200 109	Switch	1	-,-	1	32
5	1 614 461 034	Power supply cord USA/CDN 3,1m 3 x 1,31mm SJ0W	1	-,-	1	30
6	1 610 703 053	Grommet Ø9,7-Ø12x89 MM	1	-,-	1	13
7	1 601 302 019	Fastening Clamp	1	-,-	1	11
9	1 611 110 C57	Manufacturer's nameplate	1	-,-	1	15
13	1 610 900 026	groove ball bearing 8x24x8	1	-,-	1	24
14	1 610 905 028	groove ball bearing 12x32x10	1	-,-	1	27
15	1 616 610 085	Fan	1	-,-	1	14
21	1 610 508 038	Protective Cap	1	-,-	1	17
22	1 610 591 025	Protection Sleeve	1	-,-	1	29
25	1 612 300 034	Stopping Device	1	-,-	2	14
27	1 600 591 032	Air-Deflector Ring	1	-,-	1	14
28	1 614 621 000	Compression Spring	1	-,-	1	14
30	1 610 505 002	Supporting Disc	1	-,-	1	14
31	1 610 251 006	Supporting Disc	1	-,-	1	18
34	1 610 516 013	Flange	1	-,-	1	11
42	1 614 336 041	Brush Holder	1	-,-	1	32
43	1 615 500 303	Fan Cover	1	-,-	1	22
44	1 614 617 003	Compression Spring	1	-,-	1	12
47	1 610 300 064	Gear Sleeve	1	-,-	1	20
48	1 616 334 012	Clutch Sleeve	1	-,-	1	17
51	1 616 333 041	Crown Gear	1	-,-	1	36
53	1 610 290 068	Support Disc	1	-,-	1	14
57	1 618 710 074	Striker	1	-,-	1	31
69	1 610 099 004	Retaining Bracket	1	-,-	1	13
74	1 611 921 001	Guide Plate	1	-,-	1	13
75	1 615 132 078	Handle BLUE	1	-,-	1	28
79	1 613 435 015	Torx Oval-Head Screw M5x12-TORX,T25 SILVER	1	-,-	2	11
81	1 615 132 079	Handle Cover	1	-,-	1	23
84	1 602 025 07H	Auxiliary Handle	2	-,-	1	23
86	1 613 490 002	T-Head Bolt M8x40 MM	2	-,-	1	14

Item	Part Number	Description	Illustration	Price	Quantity	Price Group
87	1 611 316 019	Clamping Band Ø62 MM	2	-,-	1	16
94	1 610 102 056	Friction Washer	1	-,-	2	14
95	1 610 210 173	O-Ring 32,0x1,5 MM	1	-,-	1	12
97	1 610 031 005	Locking Washer	1	-,-	1	15
99	1 610 102 059	Support Disc	1	-,-	1	13
102	1 610 102 057	Shim 0,3 MM	1	-,-	1	11
102	1 610 102 058	Shim 0,2 MM	1	-,-	1	11
104	1 610 210 160	O-Ring 52,0x2,0 MM	1	-,-	1	13
111	1 610 290 064	Bushing	1	-,-	1	11
112	1 613 300 008	Hex Nut DIN 936-M8x1-8	1	-,-	1	11
113	1 613 435 009	Tapping Screw ST-4,8x57,5-TORX,T20	1	-,-	2	11
116	1 610 311 017	Inner Ring	1	-,-	2	19
117	1 610 913 029	Needle-Roller Assembly	1	-,-	2	16
121	1 610 328 019	Bushing	1	-,-	1	27
124	1 610 115 001	Collar Sleeve	1	-,-	1	18
126	2 603 490 022	Screw 4x16	1	-,-	1	10
131	1 611 110 C55	Warning Plate	1	-,-	1	15
134	2 910 110 116	Pan head screw DIN 85 AM 4x6-MS	1	-,-	1	10
135	1 614 414 016	Earth Conductor	1	-,-	1	18
137	1 610 151 007	Spring Lock Washer	1	-,-	1	10
141	1 610 290 066	Rotary shaft lip seal	1	-,-	1	23
142	1 610 290 069	Rotary shaft lip seal	1	-,-	1	16
143	1 614 601 021	Retaining ring DIN 7993-28x2	1	-,-	1	17
145	1 610 119 012	Spring retaining ring	1	-,-	1	12
154	2 916 660 023	Spring retaining ring DIN 472 52x2MM	1	-,-	1	17
160	1 610 210 161	Damping Ring	1	-,-	1	14
162	1 610 210 163	O-Ring 22,0x3,5 MM	1	-,-	1	15
163	1 610 290 065	Seal Ring	1	-,-	1	19
165	1 610 210 079	O-Ring 22,0x4,0 MM	1	-,-	1	16
167	1 610 283 033	Rotary shaft lip seal	1	-,-	1	19
171	1 613 435 016	Torx Oval-Head Screw M5x20-TORX,T25 SILVER	1	-,-	6	11
172	1 613 435 013	Torx Oval-Head Screw M6x30-TORX,T30 SILVER	1	-,-	4	12
174	1 613 435 012	Torx Oval-Head Screw M4,8x25-TORX,T25 SILVER	1	-,-	4	12
175	2 912 401 018	Tapping Screw DIN7981-ST3,9x13-C-Z	1	-,-	2	10
176	1 613 435 012	Torx Oval-Head Screw M4,8x25-TORX,T25 SILVER	1	-,-	2	12
177	1 603 435 051	Tapping Screw ST3,9x32 SILVER	1	-,-	2	12
178	1 604 412 069	Connecting Cable	1	-,-	1	20
802	1 614 220 150	Field 110-120V	1	-,-	1	34
803	1 614 011 090	Armature 110-120V	1	-,-	1	48
808	1 601 11A 3H5	Nameplate	1	-,-	1	13
811	1 617 014 138	Carbon-Brush Set	1	-,-	1	29
817	1 614 652 004	Spiral Spring	1	-,-	2	20
818	2 910 011 088	Socket head cap screw DIN 84-AM3,5x12-5.8	1	-,-	2	10
821	1 617 000 842	Bushing	1	-,-	1	30
835	1 617 000 841	Hammer Pipe	1	-,-	1	46
837	1 611 015 053	Sealing Frame	1	-,-	1	20
838	1 615 190 098	Covering hood BLUE	1	-,-	1	27
840	1 617 000 847	Impact Mechanism Housing	1	-,-	1	45
841	1 617 000 460	Striker Pin	1	-,-	1	30
849	1 617 000 839	Control Fork	1	-,-	1	30
854	1 617 000 461	Stop Disc	1	-,-	1	26

Item	Part Number	Description	Illustration	Price	Quantity	Price Group
885	1 618 040 074	Support clamp	2	-,-	1	17
856	1 617 000 843	Hammer Piston	1	-,-	1	32
860	1 617 000 A37	Spur Wheel Clutch	1	-,-	1	47
872	1 616 317 064	Eccentric Cog Wheel	1	-,-	1	40
873	1 617 000 860	Housing Cover	1	-,-	1	37
884	1 612 025 055	Auxiliary Handle Ø62 MM BLACK	2	-,-	1	36
886	1 617 000 459	Auxiliary Handle M8 BLACK	2	-,-	1	25
895	1 615 430 019	Oil Reservoir 1000 ML	2	-,-	1	40
897	1 617 000 A16	Wear and Tear Part Set	1	-,-	1	35
898	1 615 437 511	Oil Reservoir 50 ML	2	-,-	1	25

Illustration - Type E

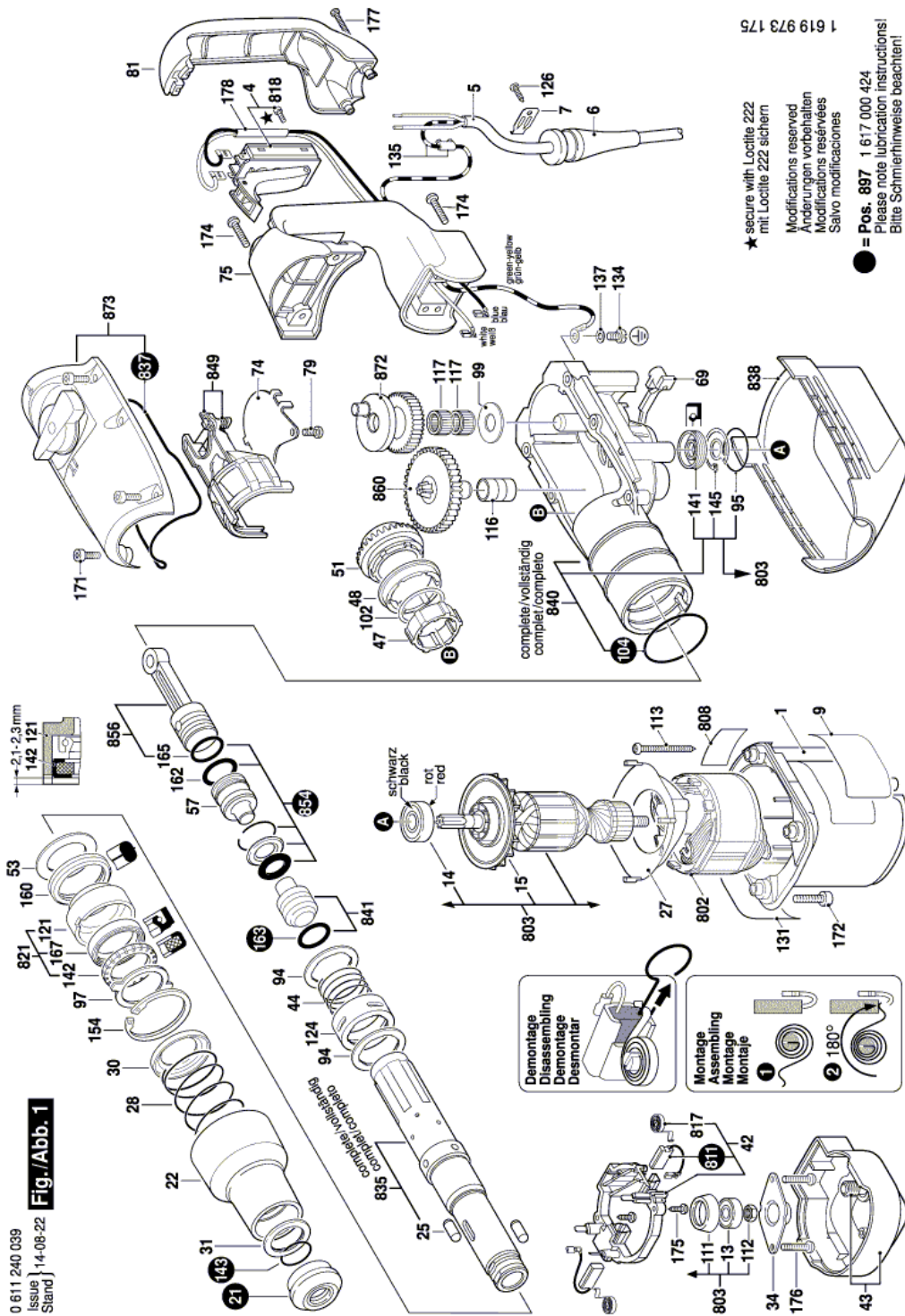
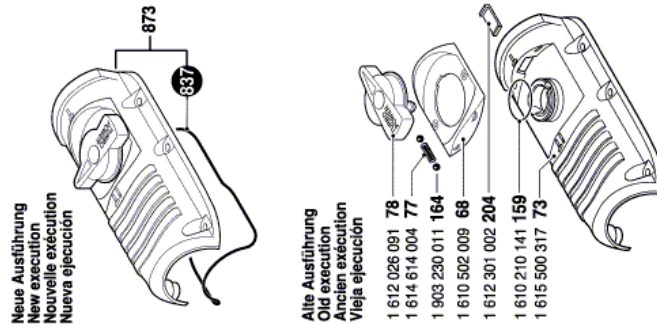
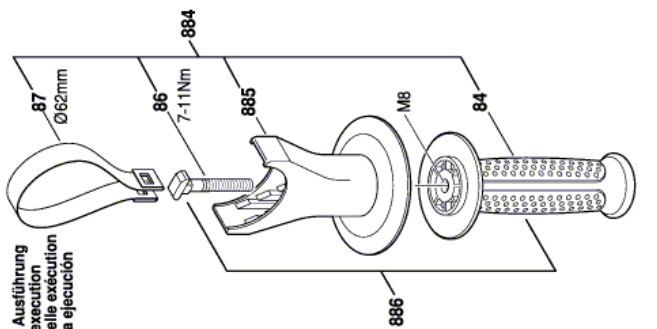
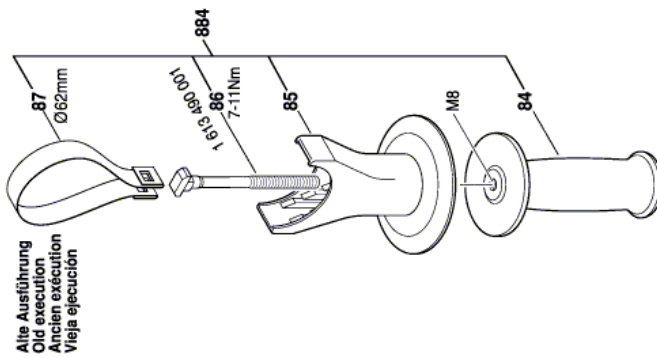


Illustration - Type E

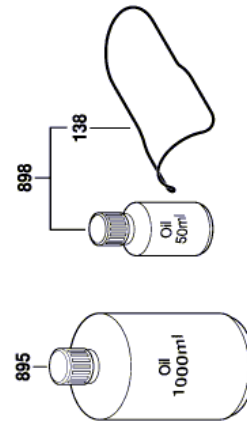


Änderungen vorbehalten
Modifications reserved
Modifications réservées
Salvo modificaciones



0 611 240 039
Issue } 14-08-22
Stand }

Fig./Abb. 2



Information subject to change without further notice.