

Rotary Hammer - 0 611 248 739 - 11248EVS

www.powertools-aftersaleservice.com



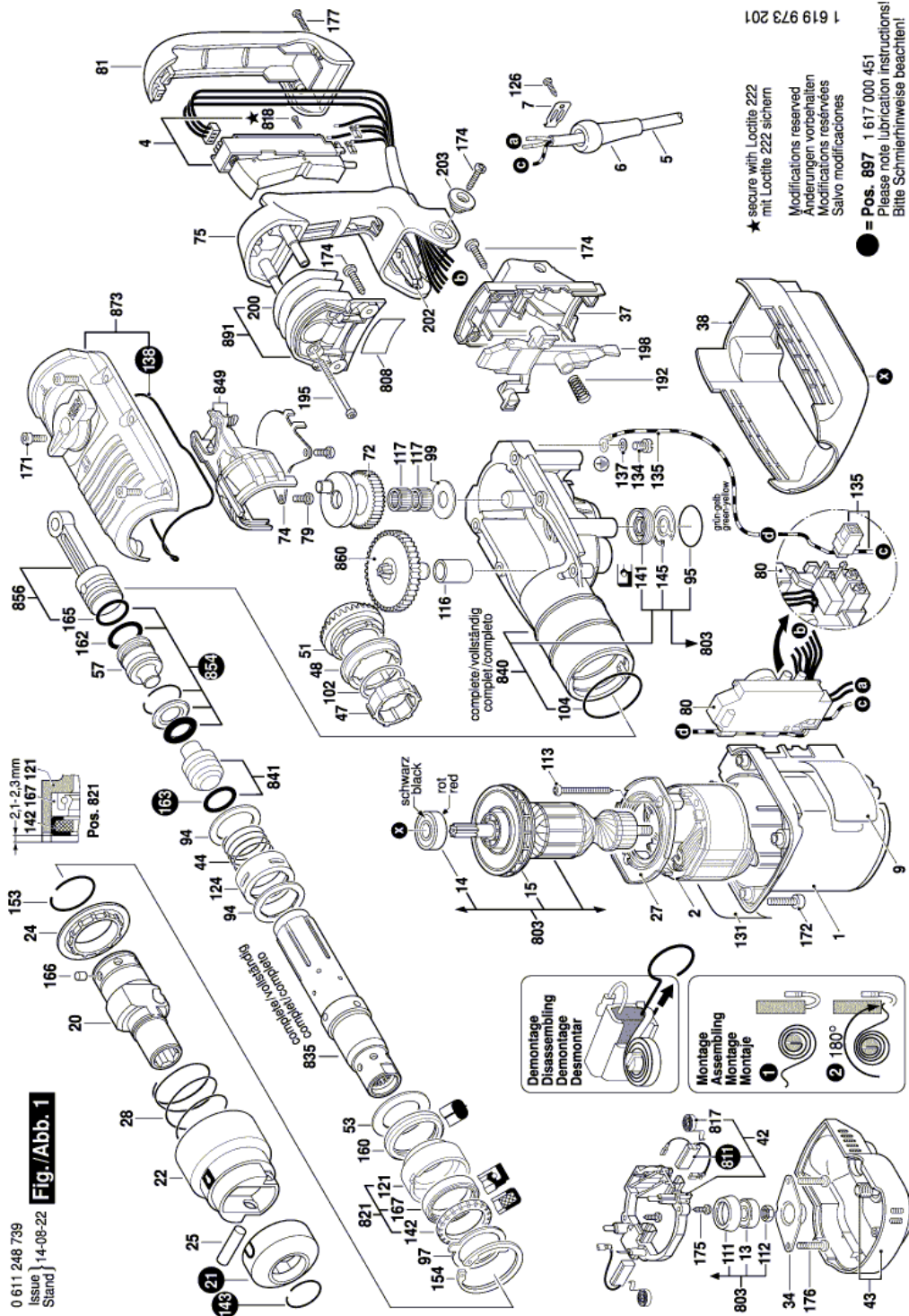
BOSCH

Item	Part Number	Description	Illustration	Price	Quantity	Price Group
1	1 615 102 155	Motor Housing BLUE	1	-,-	1	31
2	1 614 220 133	Field 100-115V	1	-,-	1	34
4	1 617 200 101	Switch	1	-,-	1	31
5	1 614 461 035	Power supply cord USA/CDN 3,1m 3 x 2,08mm SJ0W	1	-,-	1	35
6	1 600 703 035	Grommet Ø8,7-Ø9,6x66 MM	1	-,-	1	13
7	1 601 302 019	Fastening Clamp	1	-,-	1	11
9	1 611 110 C60	Manufacturer's nameplate	1	-,-	1	15
13	1 610 900 026	groove ball bearing 8x24x8	1	-,-	1	24
14	1 610 905 028	groove ball bearing 12x32x10	1	-,-	1	27
15	1 616 610 090	Fan	1	-,-	1	24
20	1 618 597 079	Toolholder	1	-,-	1	48
21	1 610 508 044	Protective Cap BLACK	1	-,-	1	17
22	1 610 591 033	Protection Sleeve BLACK	1	-,-	1	22
24	1 610 500 020	Locking Disc	1	-,-	1	19
25	1 613 100 029	Locking Bolt	1	-,-	2	15
27	1 610 591 028	Air-Deflector Ring	1	-,-	1	13
28	1 614 621 000	Compression Spring	1	-,-	1	14
34	1 610 516 013	Flange	1	-,-	1	11
37	1 615 500 315	Bearing Pedestal	1	-,-	1	18
38	1 615 190 101	Covering hood	1	-,-	1	27
42	1 614 336 046	Brush Holder	1	-,-	1	35
43	1 615 500 410	Fan Cover BLACK	1	-,-	1	25
44	1 614 617 003	Compression Spring	1	-,-	1	12
47	1 610 300 064	Gear Sleeve	1	-,-	1	20
48	1 616 334 012	Clutch Sleeve	1	-,-	1	17
51	1 616 333 041	Crown Gear	1	-,-	1	36
53	1 610 290 068	Support Disc	1	-,-	1	14
57	1 618 710 081	Striker	1	-,-	1	29
72	1 616 317 064	Eccentric Cog Wheel	1	-,-	1	40
74	1 611 921 001	Guide Plate	1	-,-	1	13
75	1 615 132 087	Handle BLUE	1	-,-	1	38
79	1 613 435 015	Torx Oval-Head Screw M5x12-TORX,T25 SILVER	1	-,-	2	11

Item	Part Number	Description	Illustration	Price	Quantity	Price Group
80	1 617 233 033	Speed governor 100-120V	1	-,-	1	44
81	1 615 132 088	Handle Cover BLACK	1	-,-	1	30
84	1 602 025 07H	Auxiliary Handle	2	-,-	1	23
85	1 618 040 074	Support clamp	2	-,-	1	17
86	1 613 490 002	T-Head Bolt M8x40 MM	2	-,-	1	14
87	1 611 316 019	Clamping Band Ø62 MM	2	-,-	1	16
94	1 610 102 056	Friction Washer	1	-,-	2	14
95	1 610 210 173	O-Ring 32,0x1,5 MM	1	-,-	1	12
97	1 610 031 005	Locking Washer	1	-,-	1	15
99	1 610 102 059	Support Disc	1	-,-	1	13
102	1 610 102 057	Shim 0,3 MM	1	-,-	2	11
102	1 610 102 058	Shim 0,2 MM	1	-,-	1	11
104	1 610 210 160	O-Ring 52,0x2,0 MM	1	-,-	1	13
111	1 610 290 064	Bushing	1	-,-	1	11
112	1 613 300 008	Hex Nut DIN 936-M8x1-8	1	-,-	1	11
113	1 613 435 009	Tapping Screw ST-4,8x57,5-TORX,T20	1	-,-	2	11
116	1 610 311 017	Inner Ring	1	-,-	1	19
117	1 610 913 004	Needle-Roller Assembly Ø13 MM	1	-,-	2	16
121	1 610 328 019	Bushing	1	-,-	1	27
124	1 610 115 001	Collar Sleeve	1	-,-	1	18
126	2 910 211 019	Tapping Screw DIN 7971-ST3,9x16-F	1	-,-	1	10
131	1 611 110 C71	Manufacturer's nameplate	1	-,-	1	15
134	2 910 110 116	Pan head screw DIN 85 AM 4x6-MS	1	-,-	1	10
135	1 614 431 031	Connecting Cable	1	-,-	1	18
137	1 610 151 007	Spring Lock Washer	1	-,-	1	10
138	1 611 015 053	Sealing Frame	1	-,-	1	20
141	1 610 290 066	Rotary shaft lip seal	1	-,-	1	23
142	1 610 290 069	Rotary shaft lip seal	1	-,-	1	16
143	2 916 540 017	Retaining ring DIN 7993 A 30	1	-,-	1	11
145	1 610 119 012	Spring retaining ring	1	-,-	1	12
153	2 916 540 020	Retaining ring 38x2,5 A38 DIN7993	1	-,-	1	13
154	2 916 660 023	Spring retaining ring DIN 472 52x2MM	1	-,-	1	17
160	1 610 210 161	Damping Ring	1	-,-	1	14
162	1 610 210 163	O-Ring 22,0x3,5 MM	1	-,-	1	15
163	1 610 290 065	Seal Ring	1	-,-	1	19
165	1 610 210 079	O-Ring 22,0x4,0 MM	1	-,-	1	16
166	1 613 200 015	Cylindrical Roller	1	-,-	1	13
167	1 610 283 033	Rotary shaft lip seal	1	-,-	1	19
171	1 613 435 016	Torx Oval-Head Screw M5x20-TORX,T25 SILVER	1	-,-	6	11
172	1 613 435 013	Torx Oval-Head Screw M6x30-TORX,T30 SILVER	1	-,-	4	12
174	1 613 435 012	Torx Oval-Head Screw M4,8x25-TORX,T25 SILVER	1	-,-	4	12
175	2 912 401 018	Tapping Screw DIN7981-ST3,9x13-C-Z	1	-,-	2	10
176	1 613 435 012	Torx Oval-Head Screw M4,8x25-TORX,T25 SILVER	1	-,-	2	12
177	1 603 435 051	Tapping Screw ST3,9x32 SILVER	1	-,-	2	12
192	1 614 611 019	Compression Spring	1	-,-	1	13
195	1 613 435 020	Torx Oval-Head Screw	1	-,-	2	10
198	1 618 900 001	Control Lever	1	-,-	1	18
200	1 610 284 000	Bellows	1	-,-	1	22
202	1 611 010 006	Switch Hook	1	-,-	2	17
203	1 610 322 009	Support Disc SILVER	1	-,-	2	13
651	2 600 508 018	Sealing cap	2	-,-	3	13

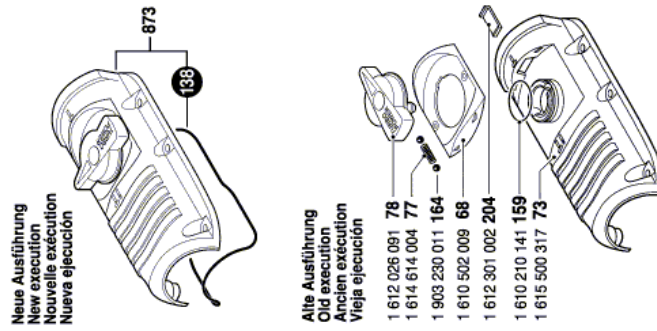
Item	Part Number	Description	Illustration	Price	Quantity	Price Group
661	1 615 430 010	Grease Tube 30 ML	2	-,-	1	18
803	1 614 011 107	Armature 110-120V	1	-,-	1	52
808	1 601 11A 3H5	Nameplate	1	-,-	1	13
811	1 617 014 144	Carbon-Brush Set	1	-,-	1	29
817	1 614 652 004	Spiral Spring	1	-,-	2	20
818	2 910 011 082	Socket head cap screw DIN 84-AM3,5x6-5.8	1	-,-	2	10
821	1 617 000 842	Bushing	1	-,-	1	30
835	1 617 000 448	Hammer Pipe	1	-,-	1	50
840	1 617 000 847	Impact Mechanism Housing	1	-,-	1	45
841	1 617 000 460	Striker Pin	1	-,-	1	30
849	1 617 000 839	Control Fork	1	-,-	1	30
854	1 617 000 461	Stop Disc	1	-,-	1	26
856	1 617 000 843	Hammer Piston	1	-,-	1	32
860	1 617 000 A37	Spur Wheel Clutch	1	-,-	1	47
873	1 617 000 861	Housing Cover	1	-,-	1	37
884	1 612 025 055	Auxiliary Handle Ø62 MM BLACK	2	-,-	1	36
886	1 617 000 459	Auxiliary Handle M8 BLACK	2	-,-	1	25
891	1 617 000 853	Spring Pack	1	-,-	1	30
895	1 615 430 019	Oil Reservoir 1000 ML	2	-,-	1	40
897	1 617 000 451	Wear and Tear Part Set	1	-,-	1	32
898	1 615 437 511	Oil Reservoir 50 ML	2	-,-	1	25

Illustration - Type E

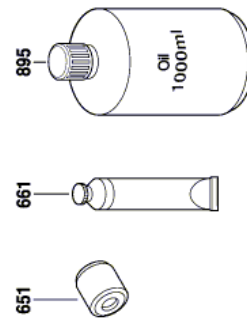
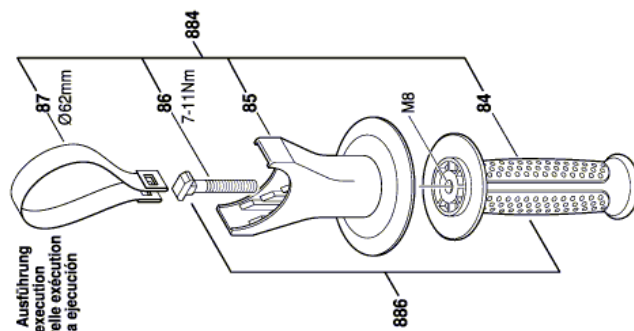
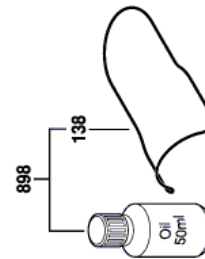
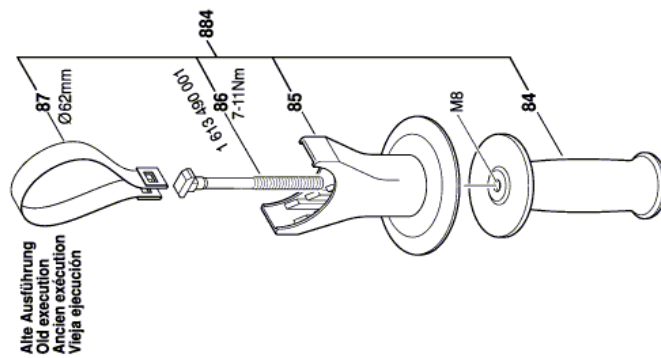


1 619 973 201

Illustration - Type E



Änderungen vorbehalten
Modifications reserved
Modifications réservées
Salvo modificaciones



0 611 248 739
Issue 14-08-22
Stand } **Fig./Abb. 2**

Information subject to change without further notice.