

Rotary Hammer - 3 611 B50 410 - 11250VSR

www.powertools-aftersaleservice.com



BOSCH

Item	Part Number	Description	Illustration	Price	Quantity	Price Group
	2 2 604 220 684	Field 110-120V	1	-,-	1	31
	4 1 617 200 558	Switch	1	-,-	1	32
	5 2 604 460 239	Power supply cord USA/CDN 2,70m 2 x 0,82 SJ18/2	1	-,-	1	27
	6 2 600 703 018	Grommet Ø7,3-Ø8,6x76 MM	1	-,-	1	13
	7 1 601 035 008	Cable Clip	1	-,-	1	11
	9 1 611 110 X82	Manufacturer's nameplate	1	-,-	1	15
	10 1 611 110 Y84	Warning Plate	1	-,-	1	13
	16 1 614 336 061	Brush Plate	1	-,-	1	28
	17 1 600 A00 32J	Adapter module	1	-,-	2	11
	19 1 611 329 024	Switch Contact	1	-,-	2	11
	21 2 608 670 730	Ratchet Sleeve	1	-,-	1	41
	22 1 616 312 003	Cylindrical Gear	1	-,-	1	20
	26 1 617 000 534	Hammer Piston	1	-,-	1	30
26/1	1 618 700 075	Hammer Piston	1	-,-	1	24
	27 1 618 710 080	Striker	1	-,-	1	20
	28 1 613 124 077	Striker Pin Ø7,5 MM	1	-,-	1	20
	29 1 613 105 012	Piston Pin	1	-,-	1	15
	34 1 610 190 067	Supporting Disc	1	-,-	1	12
	36 1 601 329 040	Tensioning Bracket	1	-,-	1	11
	38 1 610 190 045	Catch Disk	1	-,-	1	17
	41 1 615 500 334	Housing Cover BLUE	1	-,-	1	21
	42 1 610 422 017	Backup ring	1	-,-	1	16
	44 1 610 508 047	Protective Cap	1	-,-	1	12
	45 1 610 522 012	Air-Deflector Ring	1	-,-	1	11
	46 1 612 026 128	Clamp Handle	1	-,-	1	18
46/96	1 612 026 035	Switch Button RED	1	-,-	1	11
46/97	1 903 201 118	Needle Roller	1	-,-	1	10
46/98	1 610 210 046	O-Ring 10,5x2,7 MM	1	-,-	1	11
46/99	1 614 611 006	Compression Spring	1	-,-	1	15
	48 1 601 021 005	Shift Plate	1	-,-	1	11
	49 1 615 700 044	End Shield	1	-,-	1	12
	50 1 604 611 037	Compression Spring	1	-,-	1	14
	54 1 610 502 012	Rubber Bushing	1	-,-	1	10

Item	Part Number	Description	Illustration	Price	Quantity	Price Group
55	1 610 290 226	Seal Ring 53,0x7,0 MM	1	-,-	1	15
56	1 610 210 187	O-Ring	1	-,-	1	12
57	1 610 210 068	O-Ring 24,0x2,5 MM	1	-,-	1	11
59	1 610 210 177	O-Ring 9,0x2,0 MM	1	-,-	1	12
64	1 610 202 026	Plain bearing	1	-,-	1	17
65	1 600 900 037	groove ball bearing	1	-,-	1	20
66	1 610 202 020	Plain bearing	1	-,-	1	12
67	1 610 910 098	Needle bearing	1	-,-	1	15
68	1 610 283 017	Rotary shaft lip seal	1	-,-	1	20
70	1 903 230 013	Ball DIN 5401-Ø7MM-III-ST	1	-,-	1	11
71	1 610 101 011	Shim washer 1,2 MM THICK	1	-,-	2	11
72	1 604 601 027	Retaining ring	1	-,-	1	10
73	1 614 601 057	Retaining ring	1	-,-	1	10
74	1 614 601 027	Retaining ring	1	-,-	1	10
75	1 610 101 629	Retaining Washer	1	-,-	1	10
76	1 603 430 00A	Thread-forming tap. Screw	1	-,-	4	10
77	2 603 490 024	Torx Oval-Head Screw 4x25	1	-,-	1	11
78	2 603 490 022	Screw 4x16	1	-,-	2	10
79	1 613 435 023	Thread-forming tap. Screw	1	-,-	2	10
87	2 916 540 012	Retaining ring DIN 7993-A22	1	-,-	1	13
94	1 610 205 010	Felt Seal	1	-,-	1	10
101	1 614 449 014	Connecting Cable	1	-,-	1	12
102	1 614 449 015	Connecting Cable	1	-,-	1	12
103	1 613 435 034	Lens Head Screw 3x10 ST	1	-,-	1	10
120	1 612 025 072	Auxiliary Handle BLACK	2	-,-	1	27
120/120	1 602 025 07H	Auxiliary Handle	2	-,-	1	23
120/124	1 611 316 006	Clamping Band Ø43 MM	2	-,-	1	13
120/125	1 613 490 002	T-Head Bolt M8x40 MM	2	-,-	1	14
120/802	2 608 040 176	Support clamp Ø43 MM	2	-,-	1	19
190	1 611 110 A90	Manufacturer's nameplate	1	-,-	1	15
651	1 613 001 009	Depth-Gauge SW 6x210 MM	2	-,-	1	15
691/895	1 615 438 431	Lock for 1 615 438 429 + 1 615 438 430	2	-,-	1	19
801	1 617 000 537	Motor Housing	1	-,-	1	35
803	1 617 000 543	Armature With Fan 110-120V	1	-,-	1	42
808	1 601 11A 3H5	Nameplate	1	-,-	1	13
811	1 617 000 525	Carbon-Brush Set	1	-,-	1	23
813	1 610 905 025	groove ball bearing 7x19x6	1	-,-	1	19
814	1 610 905 048	groove ball bearing 9x24x7	1	-,-	1	21
820	1 617 000 526	Intermediate Flange	1	-,-	1	32
821	1 617 000 V81	Ratchet Sleeve	1	-,-	1	43
824	1 617 000 892	Toothed Shaft	1	-,-	1	42
832	1 617 000 529	Guide Sleeve	1	-,-	1	24
835	1 616 610 093	Fan	1	-,-	1	12
840	1 617 000 V82	Gear Housing BLACK	1	-,-	1	37
843	1 617 000 531	Protection Sleeve BLACK	1	-,-	1	23
880	2 603 435 015	Recessed-Head Screw DIN 7981-ST3,5x9,5-F	1	-,-	2	11

Illustration - Type E

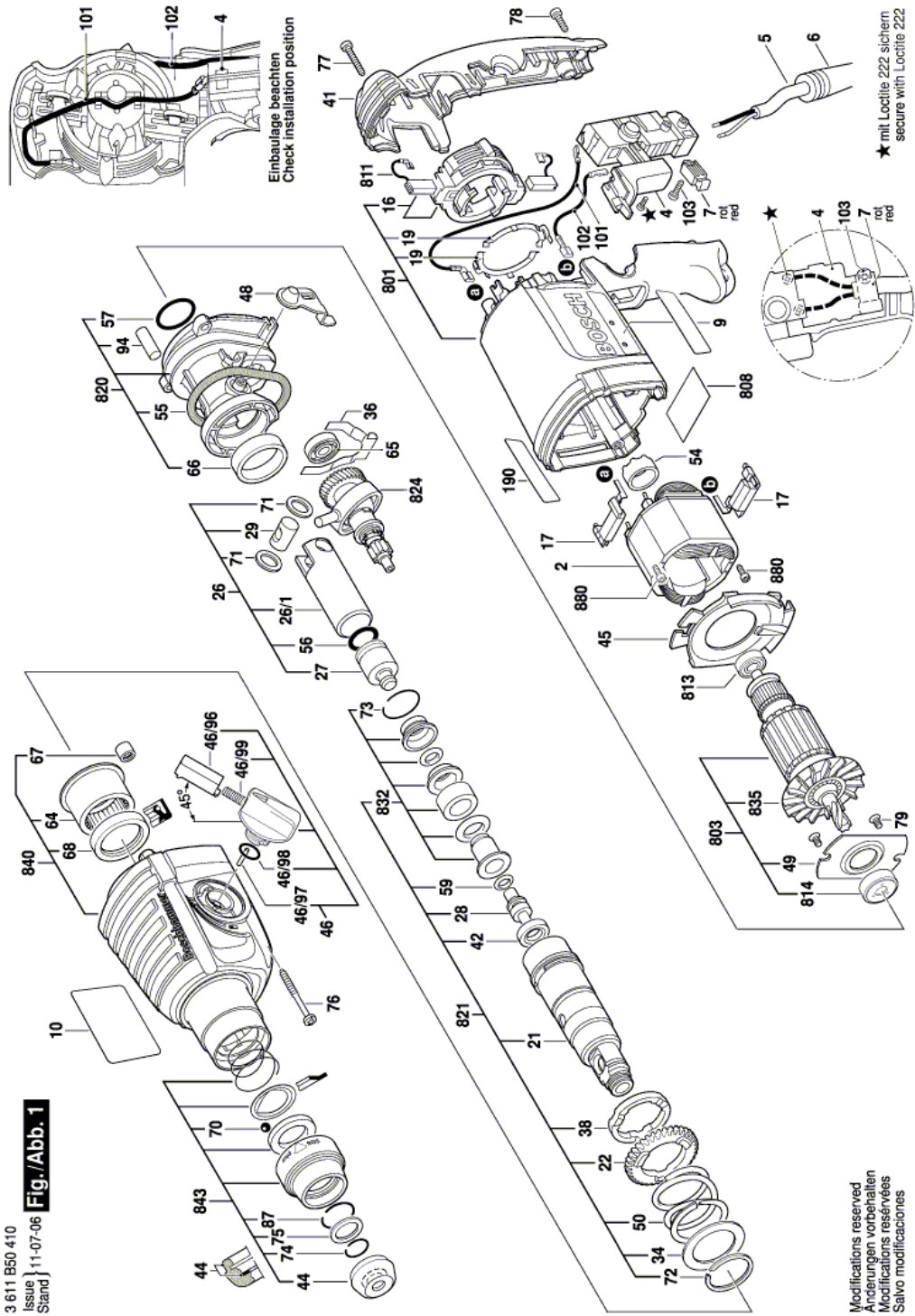
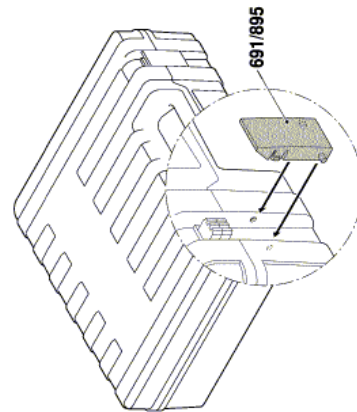
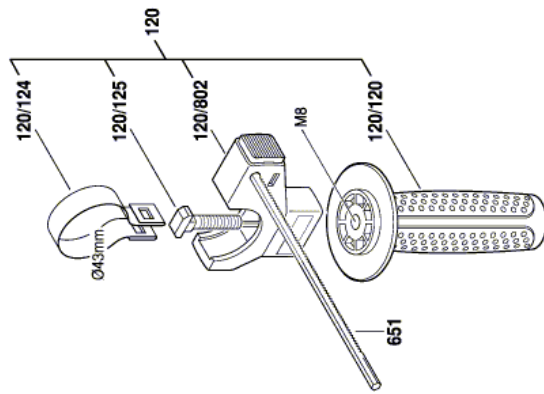


Illustration - Type E

3 611 B50 410
Issue } 11-07-06
Stand }

Fig./Abb. 2



Modifications reserved
Änderungen vorbehalten
Modificaciones reservadas
Salvo modificaciones

Information subject to change without further notice.