

Rotary Hammer - 3 611 B64 010 - 11264 EVS

www.powertools-aftersaleservice.com



BOSCH

Item	Part Number	Description	Illustration	Price	Quantity	Price Group
1	1 615 102 161	Motor Housing BLUE	1	-,-	1	32
2	1 614 220 200	Field 115V	1	-,-	1	34
4	1 617 200 120	Switch	1	-,-	1	30
5	1 614 461 035	Power supply cord USA/CDN 3,1m 3 x 2,08mm SJ0W	1	-,-	1	35
6	1 600 703 035	Grommet Ø8,7-Ø9,6x66 MM	1	-,-	1	13
7	1 601 302 019	Fastening Clamp	1	-,-	1	11
9	1 611 110 D61	Manufacturer's nameplate	1	-,-	1	13
13	1 610 900 026	groove ball bearing 8x24x8	1	-,-	1	24
14	1 610 905 028	groove ball bearing 12x32x10	1	-,-	1	27
15	1 616 610 090	Fan	1	-,-	1	24
19	1 613 200 019	Cylindrical Roller	1	-,-	1	15
21	1 610 508 057	Protective Cap BLACK	1	-,-	1	20
22	1 610 591 045	Protection Sleeve BLACK	1	-,-	1	19
23	1 610 499 069	Guide Sleeve BLACK	1	-,-	1	26
25	1 612 300 034	Stopping Device	1	-,-	2	14
26	1 610 224 010	Pressure Spring	1	-,-	1	15
27	1 610 591 028	Air-Deflector Ring	1	-,-	1	13
28	1 614 621 008	Compression Spring	1	-,-	1	17
34	1 610 516 013	Flange	1	-,-	1	11
35	1 615 806 220	Hammer Pipe	1	-,-	1	49
37	1 615 500 393	Bearing Pedestal	1	-,-	1	21
38	1 615 190 159	Covering hood BLUE	1	-,-	1	27
42	1 614 336 085	Brush Holder	1	-,-	1	35
43	1 615 500 410	Fan Cover BLACK	1	-,-	1	25
44	1 614 617 004	Compression Spring	1	-,-	1	14
45	1 610 499 070	Control Bushing	1	-,-	1	28
47	1 610 300 064	Gear Sleeve	1	-,-	1	20
48	1 616 334 012	Clutch Sleeve	1	-,-	1	17
51	1 616 333 041	Crown Gear	1	-,-	1	36
53	1 610 290 068	Support Disc	1	-,-	1	14
57	1 618 710 091	Striker	1	-,-	1	32
72	1 600 A00 ZZ3	Eccentric Cog Wheel	1	-,-	1	44
74	1 611 921 001	Guide Plate	1	-,-	1	13

Item	Part Number	Description	Illustration	Price	Quantity	Price Group
75	1 615 132 118	Handle BLUE	1	-,-	1	38
79	1 613 435 015	Torx Oval-Head Screw M5x12-TORX,T25 SILVER	1	-,-	2	11
80	1 617 233 048	Speed governor	1	-,-	1	43
81	1 615 132 088	Handle Cover BLACK	1	-,-	1	30
84	1 602 025 07H	Auxiliary Handle	2	-,-	1	23
85	1 618 040 074	Support clamp	2	-,-	1	17
86	1 613 490 002	T-Head Bolt M8x40 MM	2	-,-	1	14
87	1 611 316 019	Clamping Band Ø62 MM	2	-,-	1	16
94	1 610 102 056	Friction Washer	1	-,-	1	14
95	1 610 210 173	O-Ring 32,0x1,5 MM	1	-,-	1	12
97	1 610 031 005	Locking Washer	1	-,-	1	15
99	1 610 102 059	Support Disc	1	-,-	1	13
102	1 610 102 057	Shim 0,3 MM	1	-,-	1	11
102	1 610 102 058	Shim 0,2 MM	1	-,-	1	11
104	1 610 210 160	O-Ring 52,0x2,0 MM	1	-,-	1	13
106	1 610 499 073	Retaining snap ring	1	-,-	1	19
111	1 610 290 064	Bushing	1	-,-	1	11
112	1 613 300 008	Hex Nut DIN 936-M8x1-8	1	-,-	1	11
113	1 613 435 009	Tapping Screw ST-4,8x57,5-TORX,T20	1	-,-	2	11
117	1 610 913 029	Needle-Roller Assembly	1	-,-	4	16
120	1 610 590 019	Stop Sleeve	1	-,-	1	28
126	2 603 490 022	Screw 4x16	1	-,-	1	10
131	1 611 110 C71	Manufacturer's nameplate	1	-,-	1	15
134	2 910 110 116	Pan head screw DIN 85 AM 4x6-MS	1	-,-	1	10
135	1 614 431 031	Connecting Cable	1	-,-	1	18
137	1 610 151 007	Spring Lock Washer	1	-,-	1	10
138	1 611 015 053	Sealing Frame	1	-,-	1	20
141	1 610 290 066	Rotary shaft lip seal	1	-,-	1	23
142	1 610 290 069	Rotary shaft lip seal	1	-,-	1	16
143	1 614 601 021	Retaining ring DIN 7993-28x2	1	-,-	1	17
144	1 610 251 006	Supporting Disc	1	-,-	1	18
145	1 610 119 012	Spring retaining ring	1	-,-	1	12
146	1 610 210 202	O-Ring 56,0x3,5 MM	1	-,-	1	11
154	2 916 660 023	Spring retaining ring DIN 472 52x2MM	1	-,-	1	17
155	1 614 601 020	Retaining ring	1	-,-	1	11
160	1 610 290 095	Damping Ring	1	-,-	1	23
161	1 610 290 094	Damping Ring	1	-,-	1	14
162	1 610 210 204	O-Ring 22,5x3,5 MM	1	-,-	1	15
163	1 610 290 065	Seal Ring	1	-,-	1	19
164	1 903 230 011	Ball DIN 5401-6 G28	1	-,-	1	11
165	1 610 210 079	O-Ring 22,0x4,0 MM	1	-,-	1	16
167	1 610 283 033	Rotary shaft lip seal	1	-,-	1	19
168	1 610 210 144	O-Ring 22,0x3,0 MM	1	-,-	1	13
171	1 613 435 016	Torx Oval-Head Screw M5x20-TORX,T25 SILVER	1	-,-	6	11
172	1 613 435 013	Torx Oval-Head Screw M6x30-TORX,T30 SILVER	1	-,-	4	12
174	1 613 435 012	Torx Oval-Head Screw M4,8x25-TORX,T25 SILVER	1	-,-	6	12
175	2 912 401 018	Tapping Screw DIN7981-ST3,9x13-C-Z	1	-,-	4	10
176	1 613 435 012	Torx Oval-Head Screw M4,8x25-TORX,T25 SILVER	1	-,-	2	12
177	1 603 435 051	Tapping Screw ST3,9x32 SILVER	1	-,-	2	12
183	1 610 116 007	Stop Sleeve	1	-,-	1	15
184	1 610 290 096	Damping Ring	1	-,-	1	14

Item	Part Number	Description	Illustration	Price	Quantity	Price Group
192	1 614 611 019	Compression Spring	1	-,-	1	13
195	1 613 490 015	Torx Oval-Head Screw	1	-,-	2	13
196	1 613 435 019	Screw and washer assembly	1	-,-	1	11
198	1 618 900 001	Control Lever	1	-,-	1	18
200	1 610 284 000	Bellows	1	-,-	1	22
202	1 611 010 006	Switch Hook	1	-,-	1	17
661	1 615 430 010	Grease Tube 30 ML	2	-,-	1	18
691	1 615 438 461	Carrying Case	2	-,-	1	37
803	1 614 011 128	Armature 120V	1	-,-	1	48
808	1 601 11A 3H5	Nameplate	1	-,-	1	13
811	1 617 014 144	Carbon-Brush Set	1	-,-	1	29
816	1 609 271 281	Socket head cap screw	1	-,-	2	10
817	1 614 652 004	Spiral Spring	1	-,-	1	20
818	2 910 011 082	Socket head cap screw DIN 84-AM3,5x6-5.8	1	-,-	2	10
821	1 617 000 A02	Bushing	1	-,-	1	31
825	1 617 000 706	Bearing Shaft	1	-,-	1	24
830	1 617 000 717	Supporting Disc	1	-,-	1	18
831	1 617 000 720	Control Bushing	1	-,-	1	36
840	1 617 000 A06	Impact Mechanism Housing	1	-,-	1	48
841	1 617 000 899	Striker Pin	1	-,-	1	36
849	1 617 000 839	Control Fork	1	-,-	1	30
854	1 617 000 718	Guide Bushing	1	-,-	1	33
856	1 617 000 A04	Hammer Piston	1	-,-	1	31
860	1 617 000 A37	Spur Wheel Clutch	1	-,-	1	47
873	1 617 000 A05	Housing Cover	1	-,-	1	41
884	1 612 025 055	Auxiliary Handle Ø62 MM BLACK	2	-,-	1	36
886	1 617 000 459	Auxiliary Handle M8 BLACK	2	-,-	1	25
891	1 617 000 A26	Spring Pack	1	-,-	1	31
897	1 617 000 719	Wear and Tear Part Set	1	-,-	1	37

Illustration - Type E

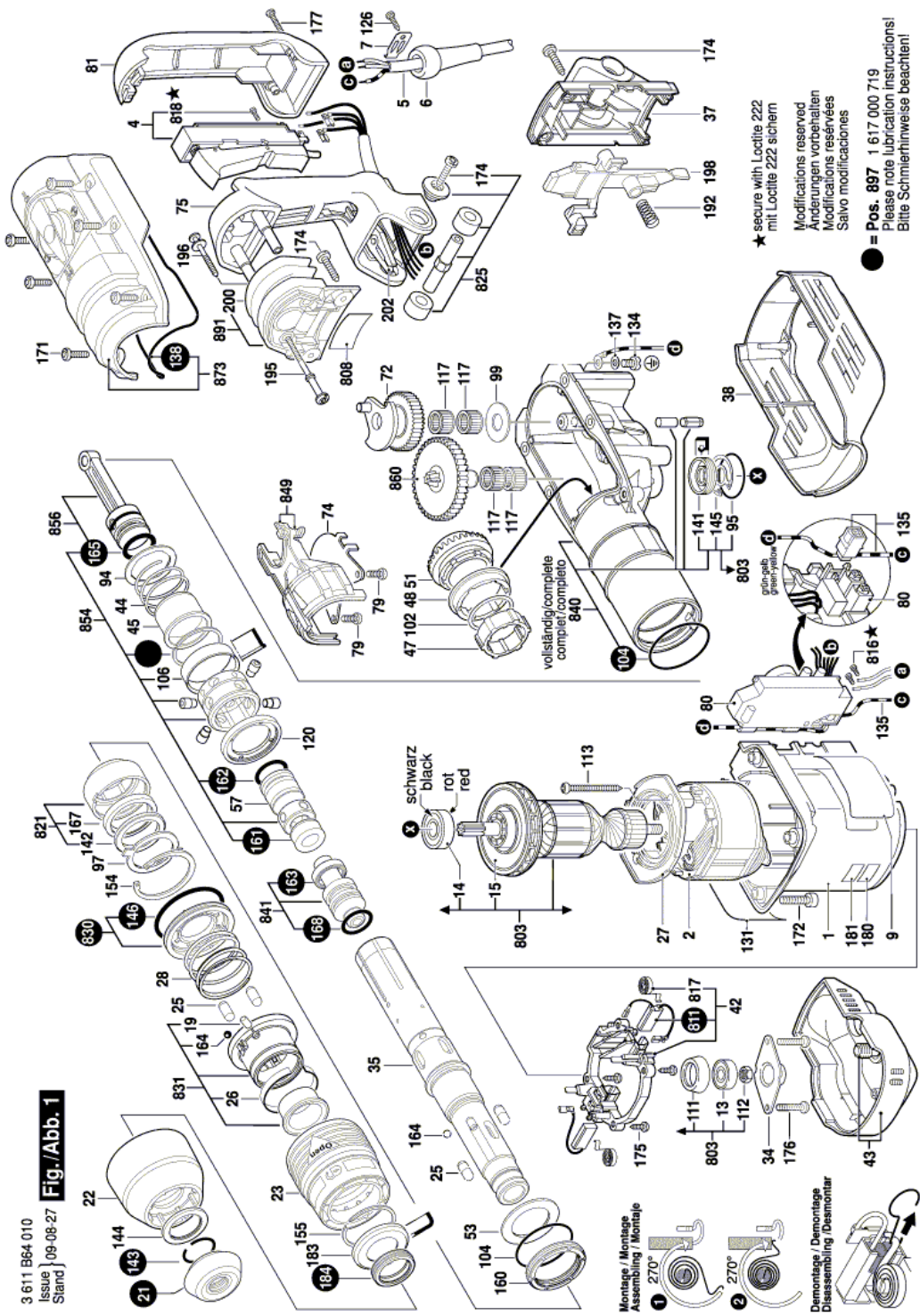
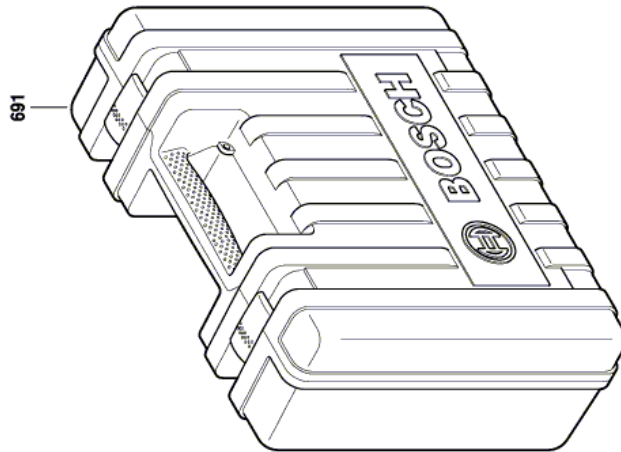
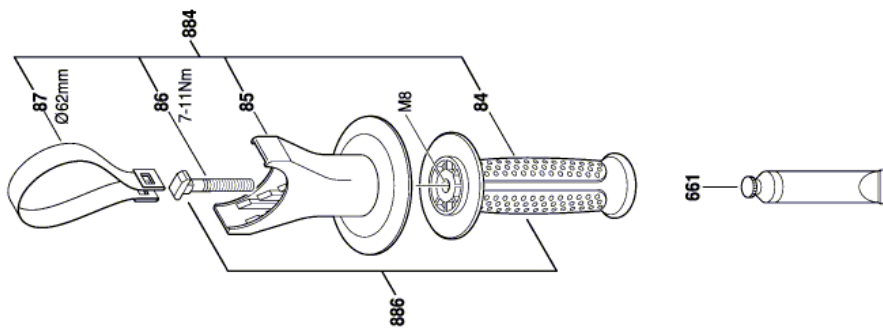


Illustration - Type E

Änderungen vorbehalten
Modifications reserved
Modifications réservées
Salvo modificaciones

3 611 B64 010
Issue } 17-03-29
Stand }

Fig./Abb. 2



Information subject to change without further notice.