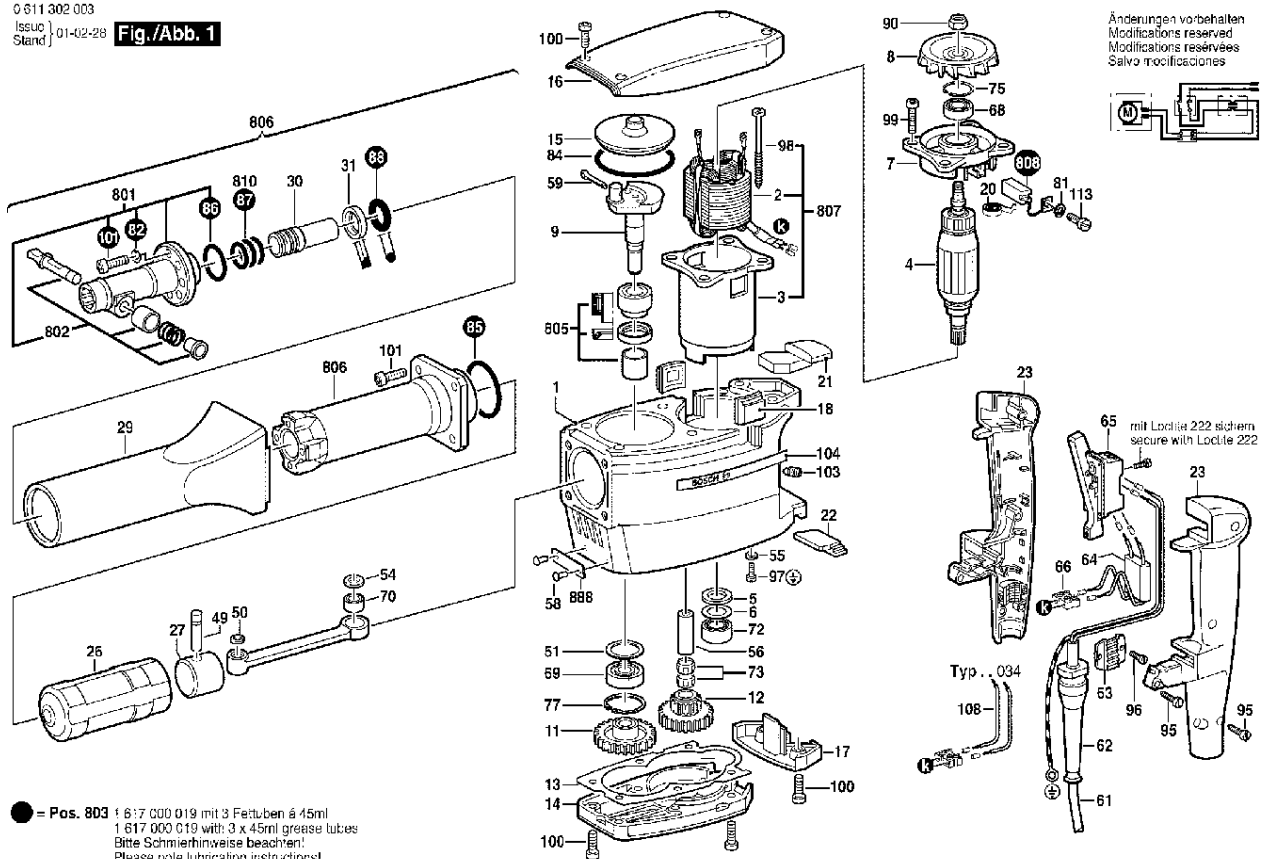




0 611 302 003

Issue | 01-02-28  
Stand |

**Fig./Abb. 1**



Date: 08/25/1998

Page: 1 / 2

Item	Pc	Order-No.	Description	Item	Pc	Order-No.	Description
1	1	1 615 106 023	CRANKSHAFT HOUSING, .	50	1	1 610 113 008	LOCKING WASHER, .
2	1	1 617 031 010	POLE SHOE, 110-115V, .	51	1	1 610 102 014	SHIM, Ø 32 x Ø 40x1,0 MM, .
3	1	1 617 000 059	STATOR FRAME, .	54	1	1 610 113 005	COVER DISC, Ø 12 x Ø 26x2,0 MM, .
4	1	1 614 011 020	ARMATURE, 110-115V, .	55	1	1 600 150 006	SPRING WASHER, DIN 137-A4, .
5	1	1 610 108 012	GASKET, .	56	1	1 610 300 057	AXLE PIN, .
6	1	1 610 102 013	SHIM, Ø 23 x Ø 30x1,0 MM, .	58	2	2 917 721 034	ROUND-HEAD GROOVED PIN, 2x6 DIN 1476
7	1	1 615 805 060	BEARING FLANGE, .	59	1	1 904 681 351	SPLIT PIN, DIN 94-3,2x18-ST, .
8	1	1 616 610 047	FAN, .	61	1	1 604 460 093	MAINS CONNECTION CABLE, .
9	1	1 616 110 032	ECCENTRIC SHAFT, .	62	1	1 600 703 009	GROMMET, Ø 11,5-Ø15x150MM, .
11	1	1 616 317 015	CYLINDRICAL GEAR, Z=45, .	63	1	1 611 302 006	FASTENING CLAMP, .
12	1	1 616 328 025	CYLINDRICAL GEAR, Z=47/21, .	64	1	1 617 328 002	SUPPRESSION CAPACITOR, .
13	1	1 611 015 012	GASKET, .	65	1	1 617 200 021	ON-OFF SWITCH, .
14	1	1 615 808 039	GEAR COVER, .	66	1	1 611 091 002	TERMINAL, 2-POLE
15	1	1 615 500 168	CLOSING COVER, .	68	1	1 610 905 001	DEEP-GROOVE BALL BEARING, .
16	1	1 615 500 276	FAN COVER, .	69	1	1 610 900 013	DEEP-GROOVE BALL BEARING, .
17	1	1 615 500 261	SWITCH COVER, .	70	1	1 610 910 049	NEEDLE-ROLLER BEARING, .
18	2	1 615 500 282	CLOSING COVER, .	72	1	1 610 910 007	NEEDLE-ROLLER BEARING, .
20	2	1 614 652 000	SPIRAL SPRING, .	73	2	1 610 913 001	NEEDLE-ROLLER CAGE, .
21	1	1 612 392 001	RUBBER PLATE, .	75	1	2 916 660 013	C-CLIP, DIN 472-32x1,2MM, .
22	1	1 612 392 000	RUBBER PLATE, .	77	1	2 916 660 018	C-CLIP, 40x1,75 MM, DIN 472, .
23	1	1 615 133 021	HANDLE, BLACK	80	2	2 916 680 006	SPRING LOCK WASHER, DIN 127-B 5, .
26	1	1 618 710 031	STRIKER, .	81	2	1 600 150 006	SPRING WASHER, DIN 137-A4, .
27	1	1 617 000 917	IMPACT MECHANISM, .	82	4	2 916 680 009	SPRING LOCK WASHER, B 8 DIN 127, .
29	1	1 615 190 020	PROTECTIVE TUBE, .	84	1	1 900 210 160	O-RING, 70x3MM, .
30	1	1 613 120 013	STRIKER PIN, .	85	1	1 900 210 152	O-RING, 55x3MM, .
31	1	1 610 114 011	INTERMEDIATE DISC, .	86	1	1 900 210 130	O-RING, Ø30x2MM, .
49	1	1 613 105 009	PISTON PIN, .	88	1	1 610 210 042	O-RING, Ø 22x6 MM, .

Item	Pc	Order-No.	Description
90	1	2 915 061 005	HEXAGON NUT, DIN 985-M8-8, .
95	5	2 910 211 011	SHEET METAL SCREW, DIN 7971-BZ3,5x13,
96	2	2 910 021 118	CHEESE HEAD SCREW, DIN 84-AM 4x8-8.8,
97	1	2 910 110 116	SLOTTED PAN-HEAD SCREW, DIN 85 AM 4x
98	2	2 910 011 179	CHEESE HEAD SCREW, DIN 84-B5x65-5.8, .
99	4	2 910 021 204	CHEESE HEAD SCREW, DIN 84-AM6x28-8.8,
100	12	2 910 141 199	HEX-SOCKET-HEAD CAP SCREW, DIN 912-
101	8	2 910 141 244	HEX-SOCKET-HEAD CAP SCREW, DIN 912-
104	2	1 601 110 004	MANUFACTURER'S NAMEPLATE, .
105	1	1 601 110 058	REFERENCE PLATE, DOUBLE INSULATION
107	2	1 611 331 007	TAB WASHER, .
108	2	1 614 437 008	PVC-INSULATED CABLE, .
113	2	2 910 021 120	CHEESE HEAD SCREW, DIN 84-AM4x10-8.8,
650	1	1 907 950 007	OFFSET SCREWDRIVER, DIN 911 SW6, .
652	1	1 618 630 000	POINTED CHISEL, SW 19, L=300 MM, .
801	1	1 617 000 017	TOOL HOLDER SET, 50 GR., FT 1 d 27, .
802	1	1 617 000 014	LOCKING BOLT SET, .
803	1	1 617 000 019	SERVICE PACK, 45 MLI., Ft d27, .
805	1	1 617 031 004	SET OF SEALS, .
806	1	1 617 000 917	IMPACT MECHANISM, .
807	1	1 617 031 010	POLE SHOE, 110-115V, .
808	1	1 617 014 110	CARBON-BRUSH SET, .
809	1	1 617 031 014	PARTS SET, .
810	1	1 617 000 104	PARTS SET, 10 PIECE
888	1	1 601 106 999	NAMEPLATE, 26x52 MM, .

Item	Pc	Order-No.	Description