



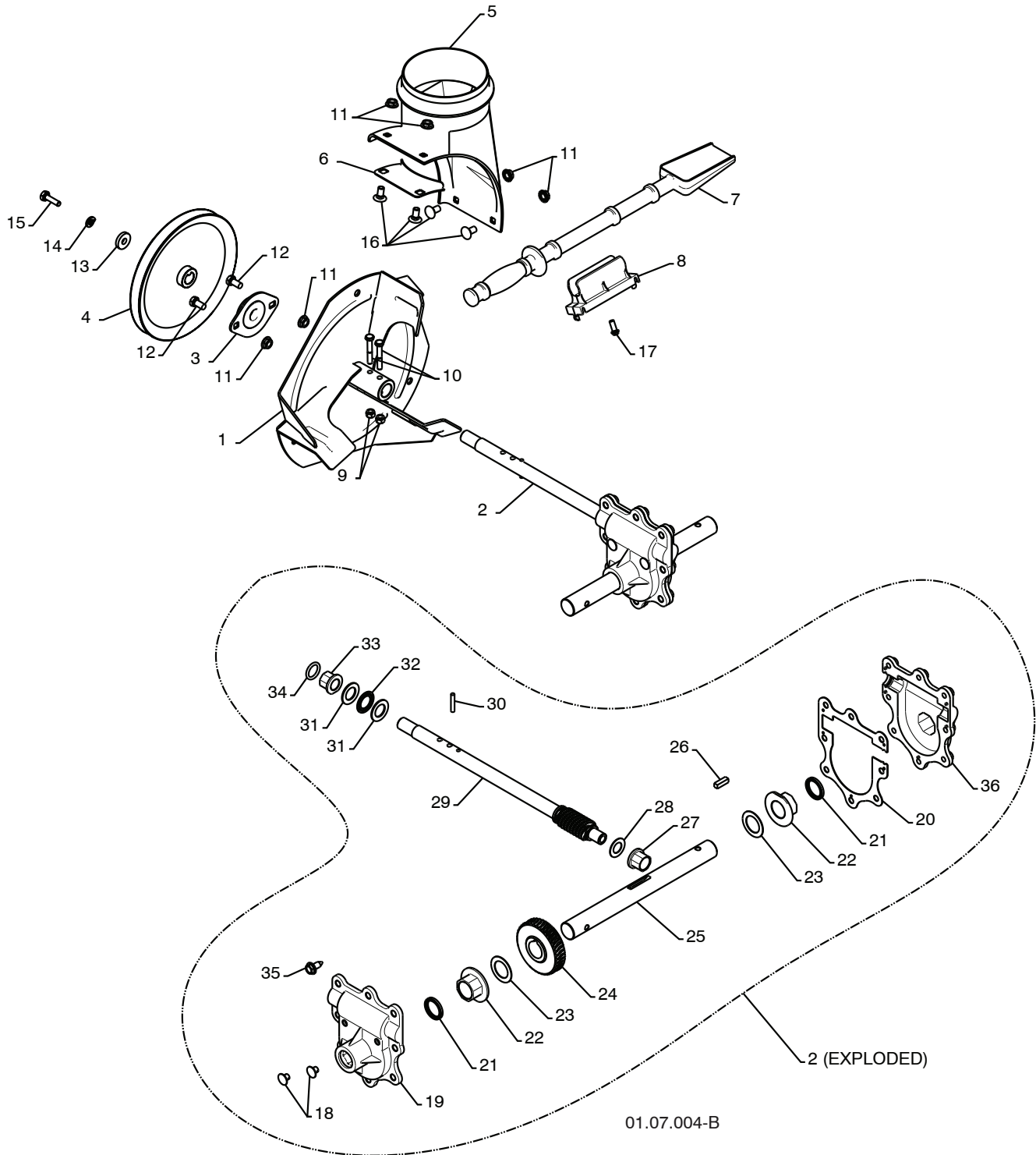
1130SB-LS

Illustrated Parts List / 96193002900

REPAIR PARTS

AUGER HOUSING / IMPELLER ASSEMBLY

SNOW THROWER - MODEL NO. 1130SB-LS (96193002900), PRODUCT NO. 961 93 00-29



NOTE: All component dimensions given in U.S. inches. 1 inch = 25.4 mm
IMPORTANT: Use only Original Equipment Manufacturer (O.E.M.) replacement parts.
Failure to do so could be hazardous, damage your snow thrower and void your warranty.

REPAIR PARTS**AUGER HOUSING / IMPELLER ASSEMBLY****SNOW THROWER - MODEL NO. 1130SB-LS (96193002900), PRODUCT NO. 961 93 00-29**

| KEY NO. | PART NO. | DESCRIPTION |
|----------------|-----------------|----------------------|
| 1 | 532 18 41-05 | IMPELLER |
| 2 | 532 19 67-10 | GEARBOX ASSEMBLY |
| 3 | 532 18 89-09 | BEARING |
| 4 | 532 19 10-79 | IMPELLER PULLEY |
| 5 | 532 17 53-22 | DISCHARGE BASE |
| 6 | 532 18 40-95 | CORNER BRACKET |
| 7 | 532 19 21-99 | CLEAN OUT TOOL |
| 8 | 532 40 54-00 | TOOL CLIP |
| 9 | 873 80 04-00 | NUT 1/4-20 |
| 10 | 874 78 04-26 | SCREW 1/4-20 X .625 |
| 11 | 532 15 53-77 | NUT 5/16-18 |
| 12 | 532 16 31-83 | SCREW 5/16-18 X .625 |
| 13 | 819 11 15-07 | WASHER |
| 14 | 810 04 05-00 | LOCKWASHER 5/16 |
| 15 | 874 94 05-16 | SCREW 5/16-18 X 1.00 |
| 16 | 532 18 03-55 | CARRIAGE BOLT |
| 17 | 532 19 41-89 | SCREW 13-16 X .625 |
| 18 | 532 40 77-60 | PLUG |
| 19 | 532 40 77-61 | GEARBOX COVER RH |
| 20 | 532 40 77-66 | GASKET |
| 21 | 532 40 77-70 | SEAL |
| 22 | 532 40 77-62 | BEARING |
| 23 | 532 17 46-97 | THRUST WASHER 1.00 |
| 24 | 532 40 77-63 | WORM GEAR |
| 25 | 532 40 77-64 | AUGER SHAFT |
| 26 | 532 18 92-82 | SQUARE KEY |
| 27 | 532 40 77-58 | BEARING |
| 28 | 532 17 46-83 | THRUST WASHER |
| 29 | 532 40 77-57 | IMPELLER SHAFT |
| 30 | 532 18 42-05 | ROLL PIN |
| 31 | 532 17 46-81 | THRUST WASHER |
| 32 | 532 17 46-84 | THRUST BEARING |
| 33 | 532 40 77-69 | BEARING |
| 34 | 532 40 77-68 | O-RING |
| 35 | 532 40 77-67 | SCREW 5/16-18 X .750 |
| 36 | 532 40 77-65 | GEARBOX COVER LH |

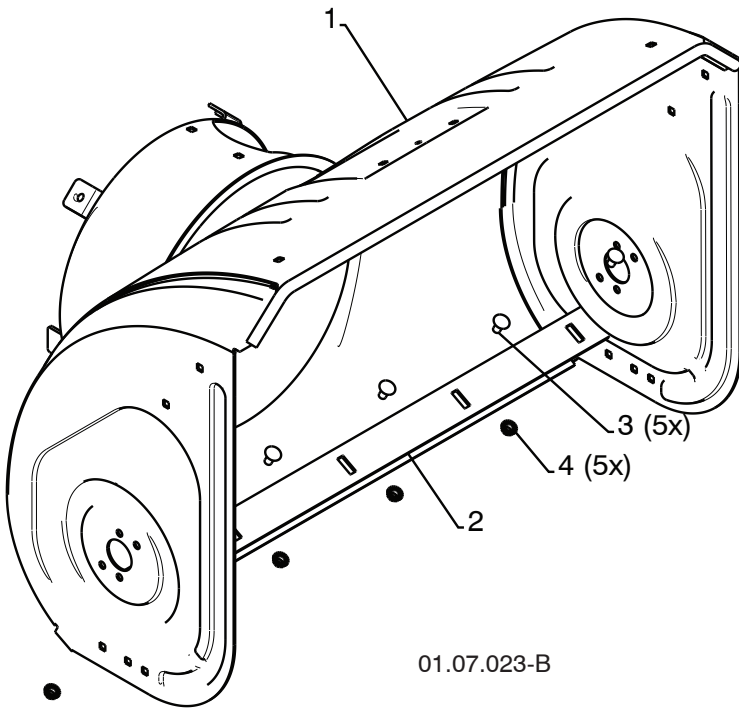
NOTE: All component dimensions given in U.S. inches. 1 inch = 25.4 mm

IMPORTANT: Use only Original Equipment Manufacturer (O.E.M.) replacement parts. Failure to do so could be hazardous, damage your snow thrower and void your warranty.

REPAIR PARTS

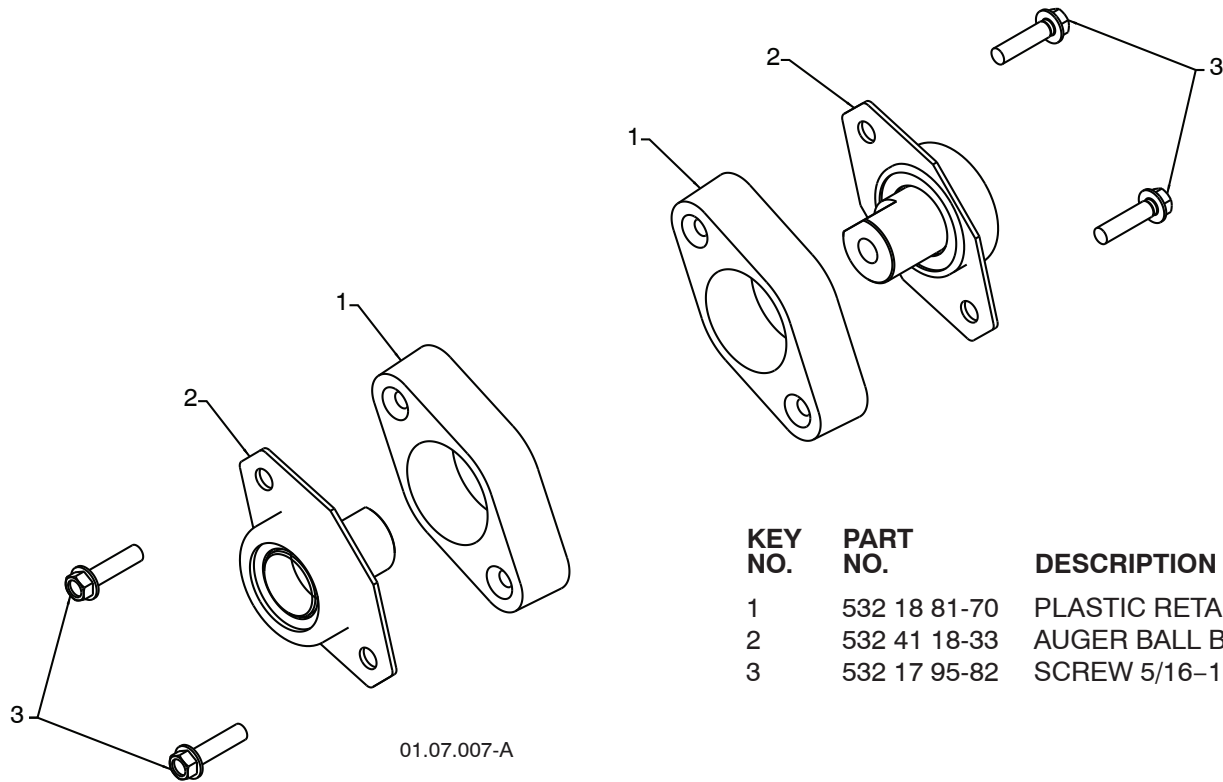
AUGER HOUSING / IMPELLER ASSEMBLY

SNOW THROWER - MODEL NO. 1130SB-LS (96193002900), PRODUCT NO. 961 93 00-29



| KEY NO. | PART NO. | DESCRIPTION |
|---------|--------------|------------------------------|
| 1 | 532 42 17-13 | AUGER HOUSING |
| 2 | 532 40 76-45 | SCRAPPER BAR |
| 3 | 872 27 05-05 | CARRIAGE BOLT 5/16-18 X .625 |
| 4 | 532 15 53-77 | NUT 5/16-18 |

01.07.023-B



| KEY NO. | PART NO. | DESCRIPTION |
|---------|--------------|----------------------|
| 1 | 532 18 81-70 | PLASTIC RETAINER |
| 2 | 532 41 18-33 | AUGER BALL BEARING |
| 3 | 532 17 95-82 | SCREW 5/16-18 X 1.00 |

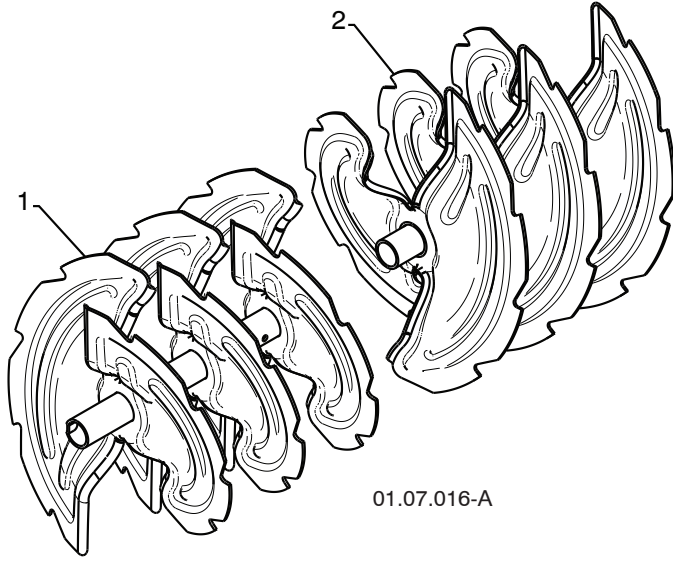
01.07.007-A

NOTE: All component dimensions given in U.S. inches. 1 inch = 25.4 mm
IMPORTANT: Use only Original Equipment Manufacturer (O.E.M.) replacement parts. Failure to do so could be hazardous, damage your snow thrower and void your warranty.

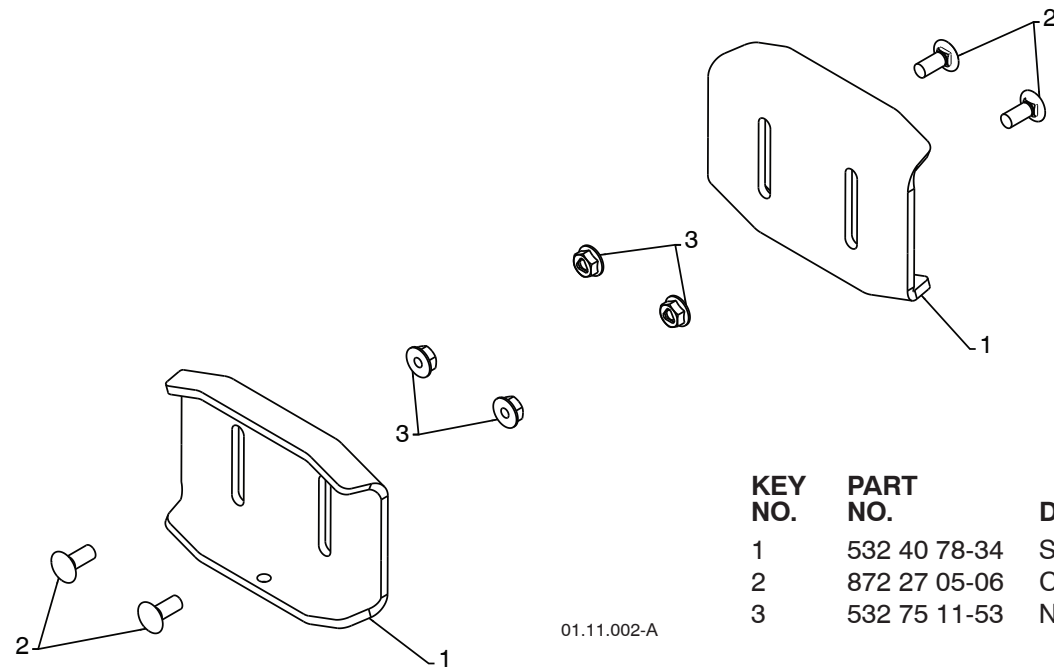
REPAIR PARTS

AUGER HOUSING / IMPELLER ASSEMBLY

SNOW THROWER - MODEL NO. 1130SB-LS (96193002900), PRODUCT NO. 961 93 00-29



| KEY NO. | PART NO. | DESCRIPTION |
|---------|--------------|----------------------|
| 1 | 532 42 17-26 | AUGER ASSEMBLY 30 LH |
| 2 | 532 42 17-27 | AUGER ASSEMBLY 30 RH |



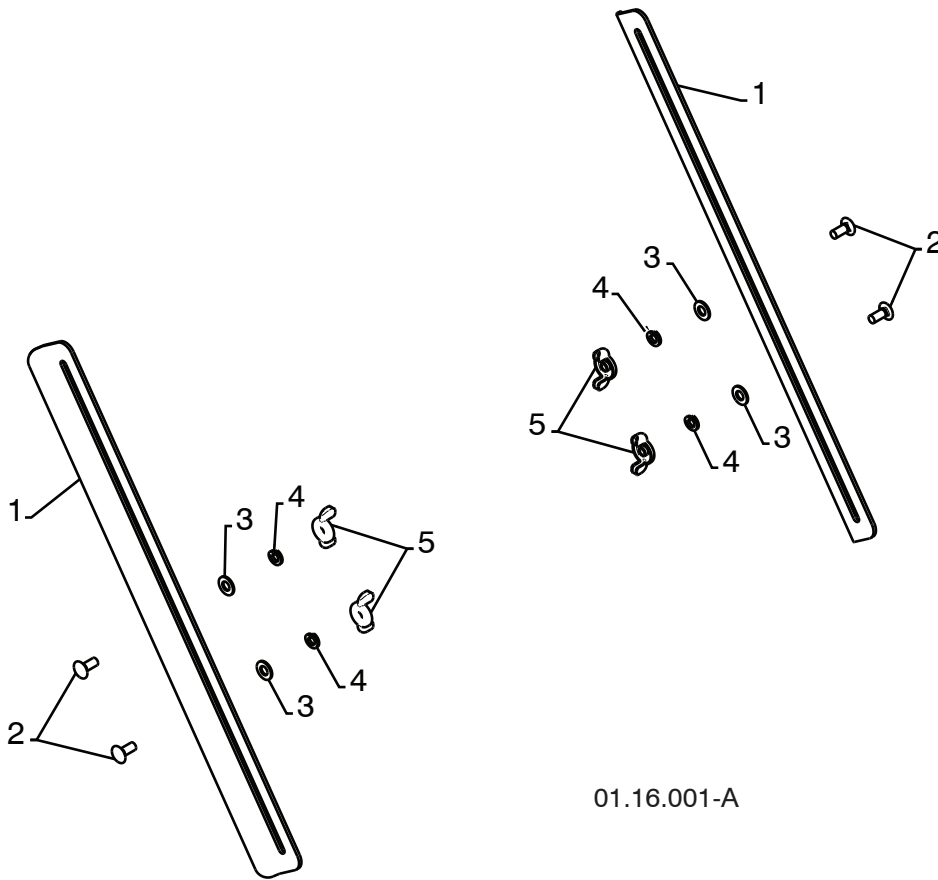
| KEY NO. | PART NO. | DESCRIPTION |
|---------|--------------|------------------------------|
| 1 | 532 40 78-34 | SKID PLATE |
| 2 | 872 27 05-06 | CARRIAGE BOLT 5/16-18 X .750 |
| 3 | 532 75 11-53 | NUT 5/16-18 |

NOTE: All component dimensions given in U.S. inches. 1 inch = 25.4 mm
IMPORTANT: Use only Original Equipment Manufacturer (O.E.M.) replacement parts. Failure to do so could be hazardous, damage your snow thrower and void your warranty.

REPAIR PARTS

AUGER HOUSING / IMPELLER ASSEMBLY

SNOW THROWER - MODEL NO. 1130SB-LS (96193002900), PRODUCT NO. 961 93 00-29



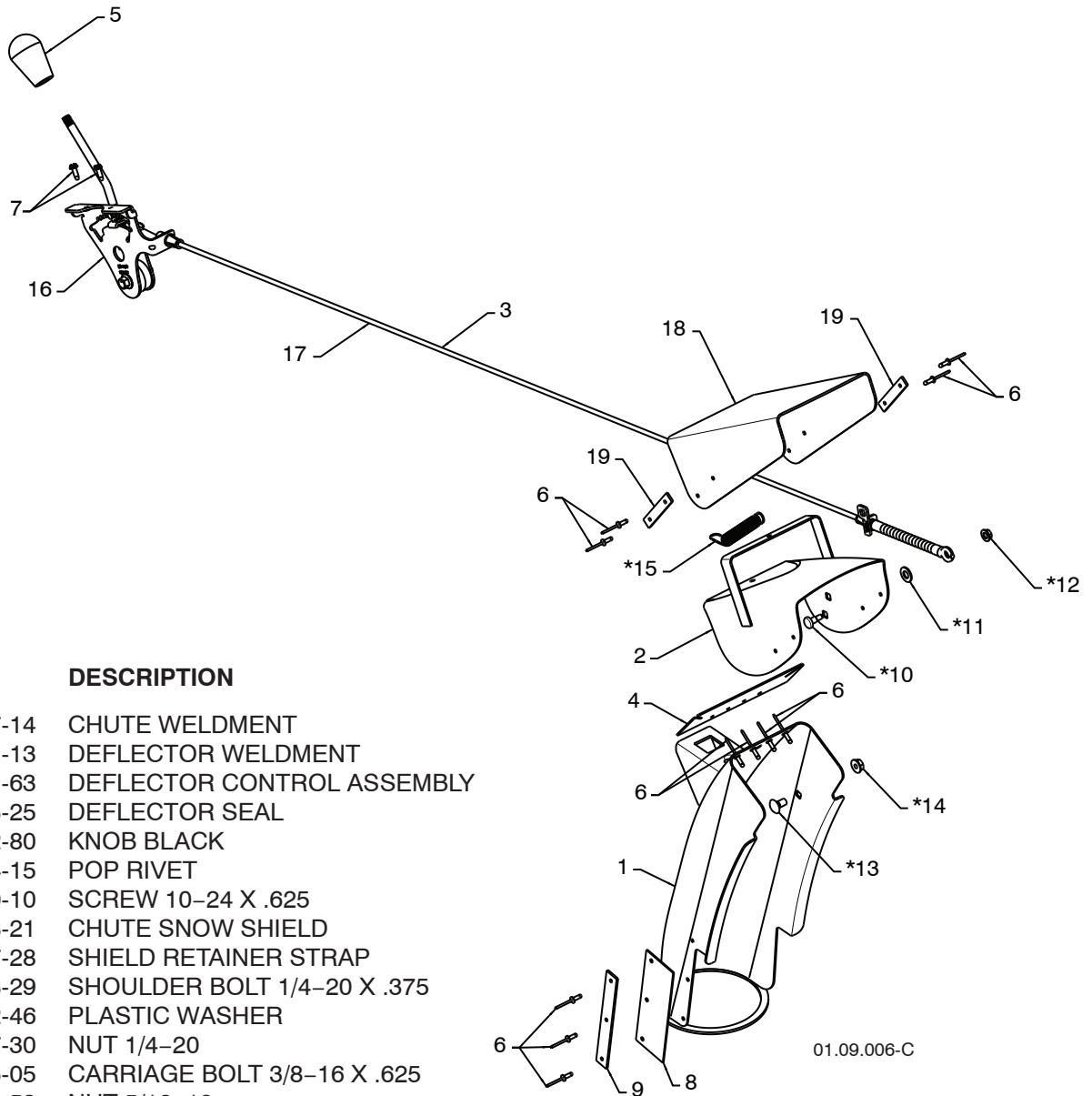
| KEY NO. | PART NO. | DESCRIPTION |
|---------|--------------|------------------------------|
| 1 | 532 18 47-47 | DRIFT CUTTER BAR |
| 2 | 872 27 05-06 | CARRIAGE BOLT 5/16-18 X .750 |
| 3 | 532 17 92-46 | PLASTIC WASHER |
| 4 | 810 04 05-00 | LOCKWASHER 5/16 |
| 5 | 532 12 86-38 | NUT 5/16-18 |

NOTE: All component dimensions given in U.S. inches. 1 inch = 25.4 mm
IMPORTANT: Use only Original Equipment Manufacturer (O.E.M.) replacement parts.
Failure to do so could be hazardous, damage your snow thrower and void your warranty.

REPAIR PARTS

CONTROL PANEL / DISCHARGE CHUTE

SNOW THROWER - MODEL NO. 1130SB-LS (96193002900), PRODUCT NO. 961 93 00-29



| KEY NO. | PART NO. | DESCRIPTION |
|---------|--------------|-------------------------------------|
| 1 | 532 42 17-14 | CHUTE WELDMENT |
| 2 | 532 18 41-13 | DEFLECTOR WELDMENT |
| 3 | 532 42 11-63 | DEFLECTOR CONTROL ASSEMBLY |
| 4 | 532 42 03-25 | DEFLECTOR SEAL |
| 5 | 532 41 42-80 | KNOB BLACK |
| 6 | 532 12 84-15 | POP RIVET |
| 7 | 817 50 10-10 | SCREW 10-24 X .625 |
| 8 | 532 41 98-21 | CHUTE SNOW SHIELD |
| 9 | 532 42 17-28 | SHIELD RETAINER STRAP |
| *10 | 532 17 98-29 | SHOULDER BOLT 1/4-20 X .375 |
| *11 | 532 17 92-46 | PLASTIC WASHER |
| *12 | 532 19 17-30 | NUT 1/4-20 |
| *13 | 872 25 05-05 | CARRIAGE BOLT 3/8-16 X .625 |
| *14 | 532 75 11-53 | NUT 5/16-18 |
| *15 | 532 18 45-05 | DEFLECTOR SPRING |
| 16 | 532 42 06-79 | (SERVICE PART) DEFLECTOR CONTROL |
| 17 | 532 42 11-64 | (SERVICE PART) DEFLECTOR CABLE GRAY |
| 18 | 532 42 11-38 | DEFLECTOR SHIELD |
| 19 | 532 42 11-39 | DEFLECTOR SHIELD STRAP |

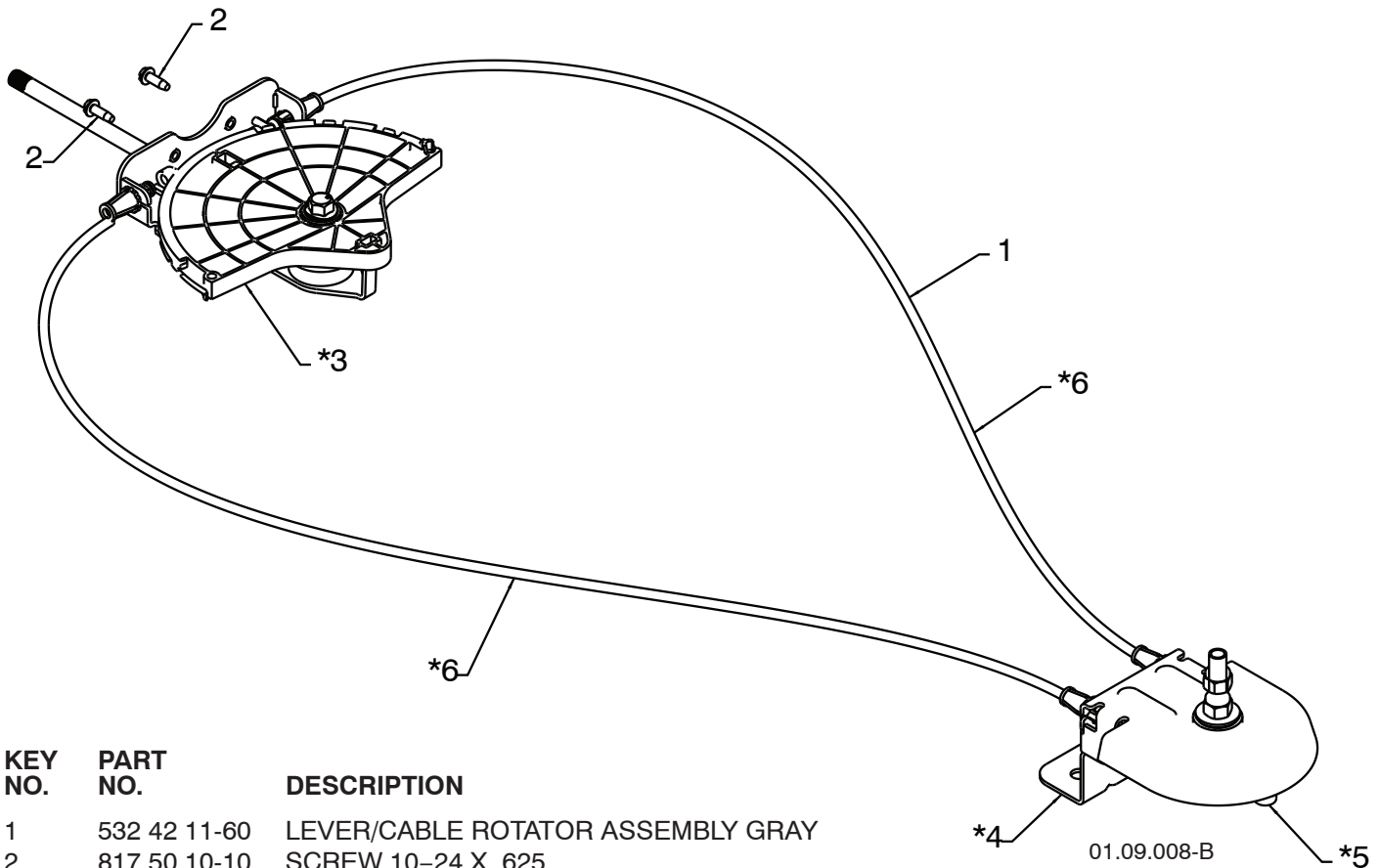
01.09.006-C

NOTE: All component dimensions given in U.S. inches. 1 inch = 25.4 mm
IMPORTANT: Use only Original Equipment Manufacturer (O.E.M.) replacement parts.
 Failure to do so could be hazardous, damage your snow thrower and void your warranty.

REPAIR PARTS

CONTROL PANEL / DISCHARGE CHUTE

SNOW THROWER - MODEL NO. 1130SB-LS (96193002900), PRODUCT NO. 961 93 00-29



| KEY NO. | PART NO. | DESCRIPTION |
|---------|--------------|-----------------------------------|
| 1 | 532 42 11-60 | LEVER/CABLE ROTATOR ASSEMBLY GRAY |
| 2 | 817 50 10-10 | SCREW 10-24 X .625 |
| *3 | 532 42 06-78 | ROTATOR HEAD |
| *4 | 532 42 11-61 | ROTATOR PIVOT BRACKET |
| *5 | 532 42 06-75 | PULLEY PIVOT |
| *6 | 532 42 11-62 | CABLE ASSEMBLY GRAY |

NOTES:

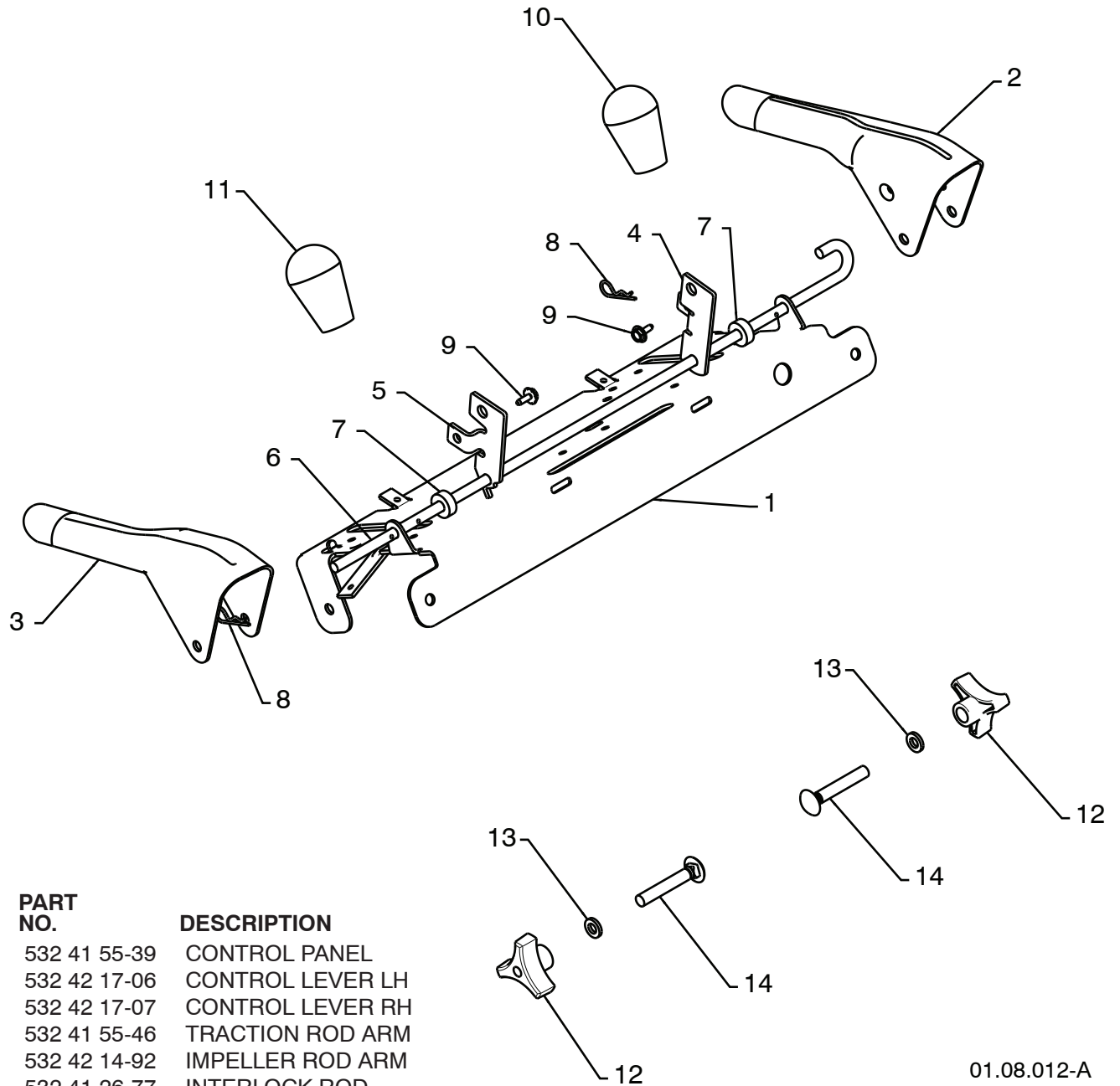
1. ITEMS INDICATED WITH AN * ARE LISTED AS REFERENCE FOR SERVICE PARTS ONLY.

NOTE: All component dimensions given in U.S. inches. 1 inch = 25.4 mm
IMPORTANT: Use only Original Equipment Manufacturer (O.E.M.) replacement parts.
 Failure to do so could be hazardous, damage your snow thrower and void your warranty.

REPAIR PARTS

HANDLES

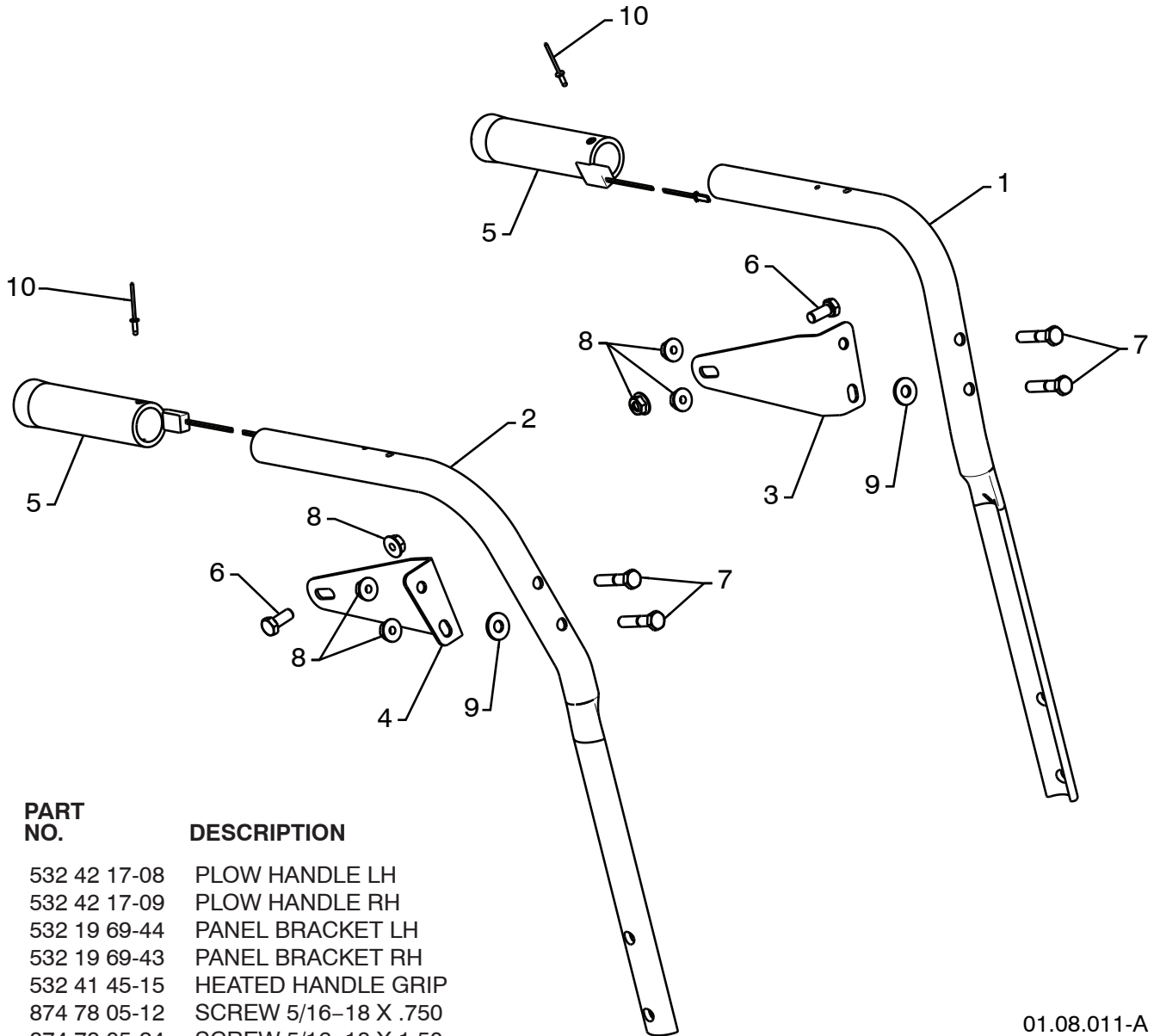
SNOW THROWER - MODEL NO. 1130SB-LS (96193002900), PRODUCT NO. 961 93 00-29



| KEY NO. | PART NO. | DESCRIPTION |
|---------|--------------|-----------------------------|
| 1 | 532 41 55-39 | CONTROL PANEL |
| 2 | 532 42 17-06 | CONTROL LEVER LH |
| 3 | 532 42 17-07 | CONTROL LEVER RH |
| 4 | 532 41 55-46 | TRACTION ROD ARM |
| 5 | 532 42 14-92 | IMPELLER ROD ARM |
| 6 | 532 41 26-77 | INTERLOCK ROD |
| 7 | 532 41 26-80 | SPACER |
| 8 | 532 16 96-75 | RETAINER |
| 9 | 817 06 04-08 | SCREW 1/4-20 X .50 |
| 10 | 532 41 42-80 | KNOB BLACK |
| 11 | 532 41 42-81 | KNOB RED |
| 12 | 532 17 88-99 | HANDLE KNOB |
| 13 | 819 13 13-16 | WASHER 3/8 |
| 14 | 872 12 06-18 | CARRIAGE BOLT 3/8-16 X 2.25 |

01.08.012-A

NOTE: All component dimensions given in U.S. inches. 1 inch = 25.4 mm
IMPORTANT: Use only Original Equipment Manufacturer (O.E.M.) replacement parts.
 Failure to do so could be hazardous, damage your snow thrower and void your warranty.



| KEY NO. | PART NO. | DESCRIPTION |
|---------|--------------|----------------------|
| 1 | 532 42 17-08 | PLOW HANDLE LH |
| 2 | 532 42 17-09 | PLOW HANDLE RH |
| 3 | 532 19 69-44 | PANEL BRACKET LH |
| 4 | 532 19 69-43 | PANEL BRACKET RH |
| 5 | 532 41 45-15 | HEATED HANDLE GRIP |
| 6 | 874 78 05-12 | SCREW 5/16-18 X .750 |
| 7 | 874 78 05-24 | SCREW 5/16-18 X 1.50 |
| 8 | 532 75 11-53 | NUT 5/16-18 |
| 9 | 532 15 54-15 | WASHER |
| 10 | 532 17 87-75 | POP RIVET 1/8 |

01.08.011-A

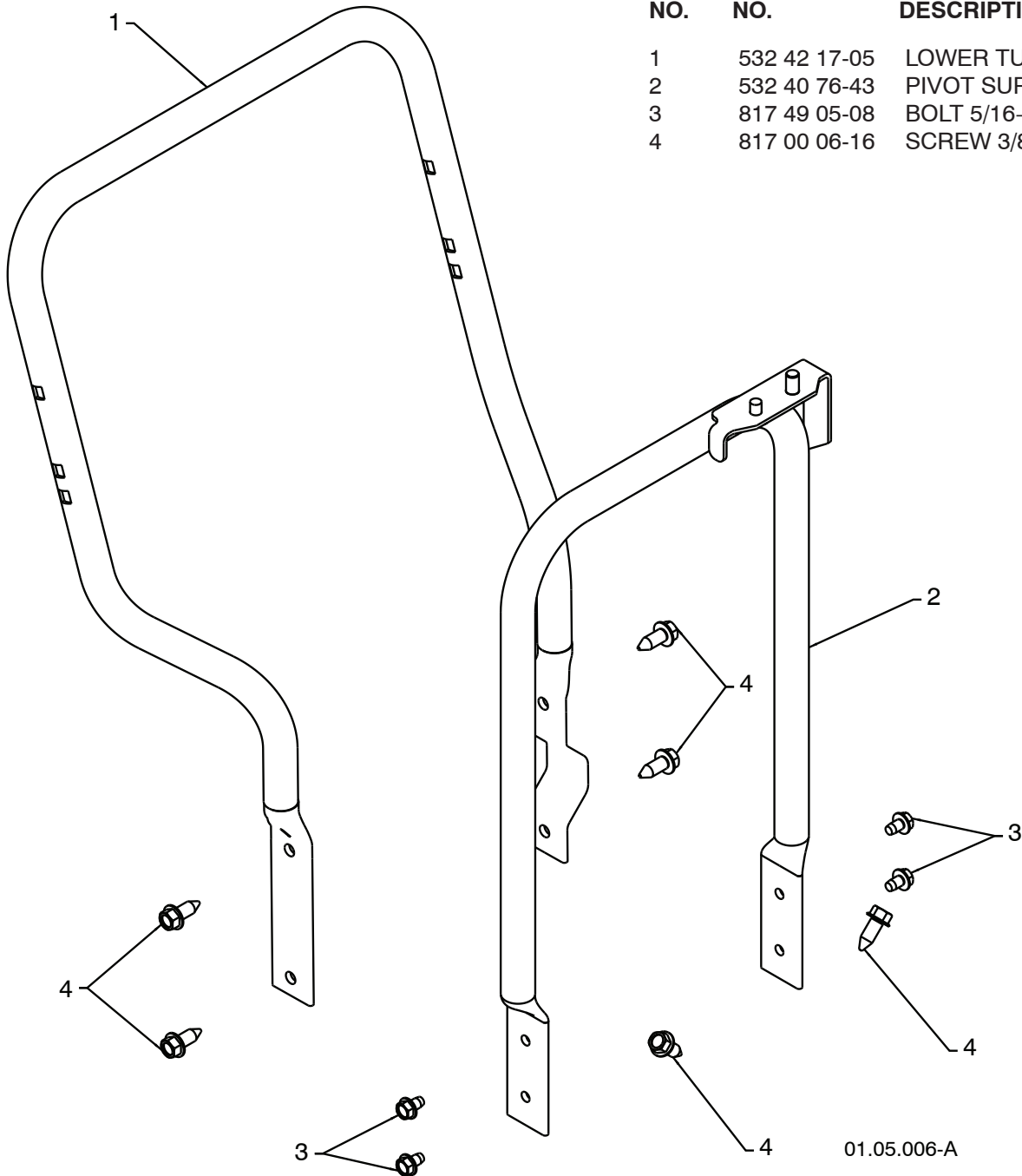
NOTE: All component dimensions given in U.S. inches. 1 inch = 25.4 mm
IMPORTANT: Use only Original Equipment Manufacturer (O.E.M.) replacement parts.
 Failure to do so could be hazardous, damage your snow thrower and void your warranty.

REPAIR PARTS

HANDLES

SNOW THROWER - MODEL NO. 1130SB-LS (96193002900), PRODUCT NO. 961 93 00-29

| KEY NO. | PART NO. | DESCRIPTION |
|---------|--------------|---------------------|
| 1 | 532 42 17-05 | LOWER TUBE GRAY |
| 2 | 532 40 76-43 | PIVOT SUPPORT |
| 3 | 817 49 05-08 | BOLT 5/16-18 X .500 |
| 4 | 817 00 06-16 | SCREW 3/8-16 X 1.00 |



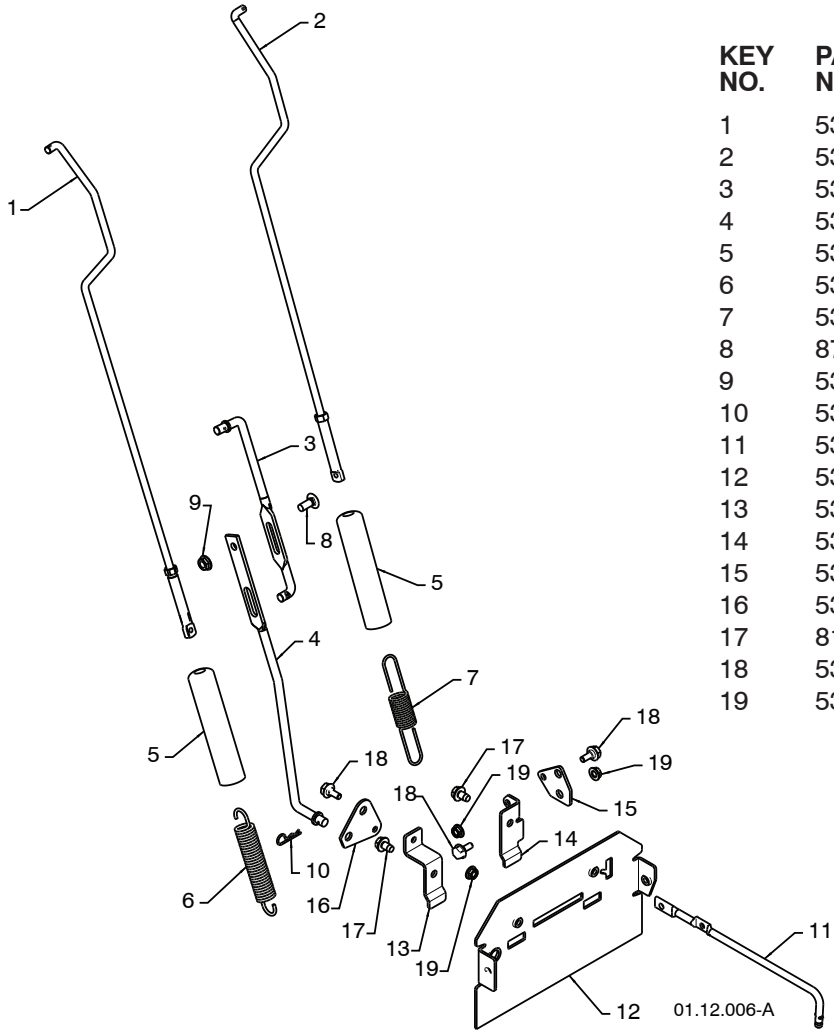
01.05.006-A

NOTE: All component dimensions given in U.S. inches. 1 inch = 25.4 mm
IMPORTANT: Use only Original Equipment Manufacturer (O.E.M.) replacement parts.
Failure to do so could be hazardous, damage your snow thrower and void your warranty.

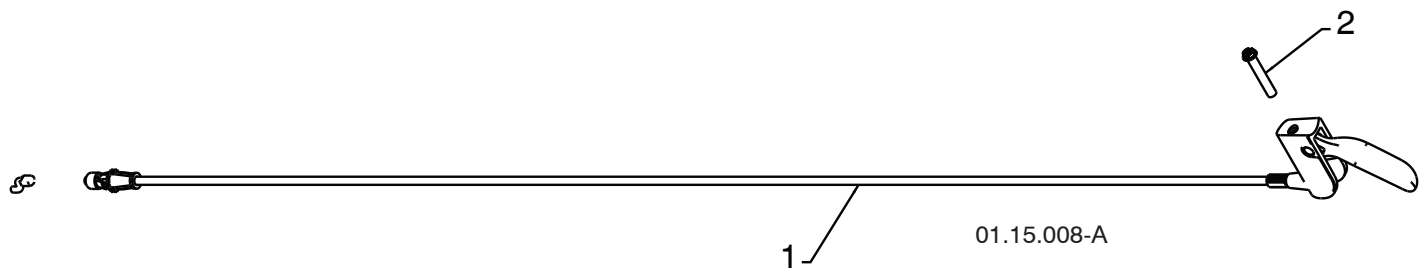
REPAIR PARTS

HANDLES

SNOW THROWER - MODEL NO. 1130SB-LS (96193002900), PRODUCT NO. 961 93 00-29



| KEY NO. | PART NO. | DESCRIPTION |
|---------|--------------|------------------------------|
| 1 | 532 18 04-80 | IMPELLER ROD ASSEMBLY |
| 2 | 532 40 57-40 | TRACTION ROD ASSEMBLY |
| 3 | 532 18 04-45 | SHIFTER ROD TOP |
| 4 | 532 18 77-16 | SHIFTER ROD BOTTOM |
| 5 | 532 18 04-47 | SPRING SLEEVE |
| 6 | 532 17 86-69 | IMPELLER SPRING |
| 7 | 532 18 09-26 | TRACTION SPRING |
| 8 | 872 27 05-06 | CARRIAGE BOLT 5/16-18 X .750 |
| 9 | 532 15 53-77 | NUT 5/16-18 |
| 10 | 532 16 96-75 | RETAINER |
| 11 | 532 40 33-00 | CLUTCH ROD |
| 12 | 532 41 69-21 | REAR PLATE |
| 13 | 532 41 54-33 | SHIFTER PLATE BRACKET |
| 14 | 532 41 68-64 | CLUTCH PLATE BRACKET |
| 15 | 532 41 54-35 | CLUTCH PLATE |
| 16 | 532 41 54-50 | SHIFTER PLATE |
| 17 | 817 49 05-08 | BOLT 5/16-18 X .500 |
| 18 | 532 40 28-81 | SHOULDER BOLT 1/4-20 X .500 |
| 19 | 532 19 17-30 | NUT 1/4-20 |



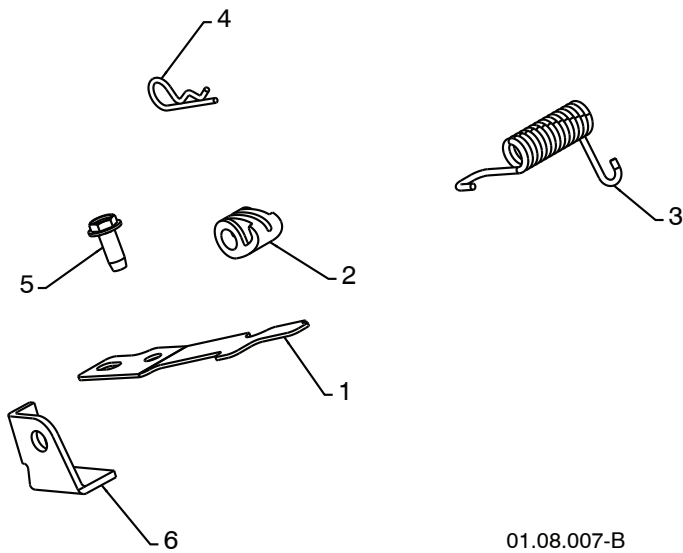
| KEY NO. | PART NO. | DESCRIPTION |
|---------|--------------|--------------------|
| 1 | 532 42 12-31 | STEER CABLE |
| 2 | 874 04 10-24 | SCREW 10-24 X 1.50 |

NOTE: All component dimensions given in U.S. inches. 1 inch = 25.4 mm
IMPORTANT: Use only Original Equipment Manufacturer (O.E.M.) replacement parts.
 Failure to do so could be hazardous, damage your snow thrower and void your warranty.

REPAIR PARTS

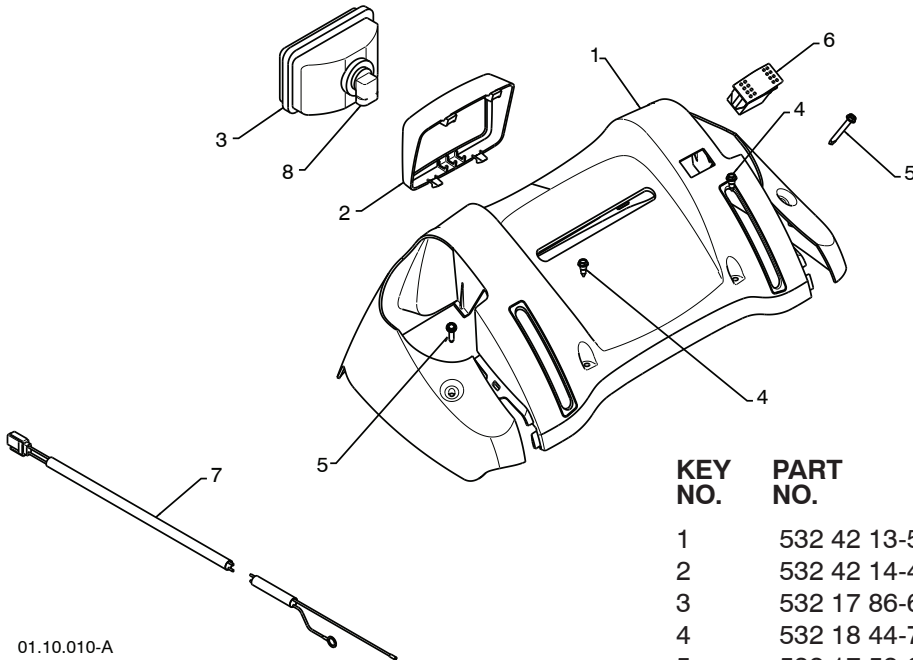
HANDLES

SNOW THROWER - MODEL NO. 1130SB-LS (96193002900), PRODUCT NO. 961 93 00-29



| KEY NO. | PART NO. | DESCRIPTION |
|---------|--------------|---------------------|
| 1 | 532 41 62-88 | INTERLOCK SPRING |
| 2 | 532 41 45-72 | INTERLOCK CAM |
| 3 | 532 17 88-31 | TORSION SPRING |
| 4 | 532 16 96-75 | RETAINER |
| 5 | 817 06 04-10 | SCREW 1/4-20 X .625 |
| 6 | 532 42 12-52 | INTERLOCK STOP |

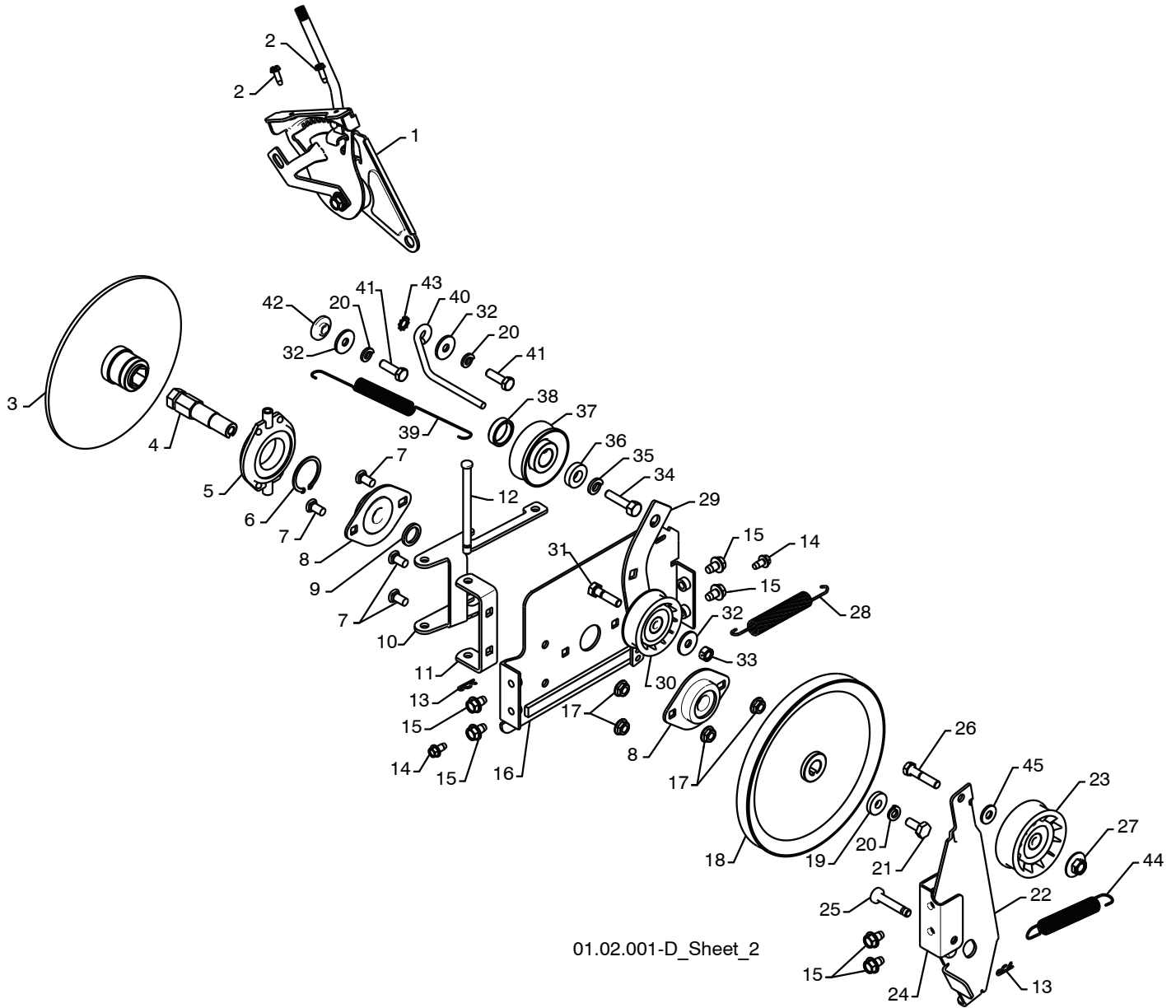
01.08.007-B



01.10.010-A

| KEY NO. | PART NO. | DESCRIPTION |
|---------|--------------|-----------------------------|
| 1 | 532 42 13-51 | CONSOLE PANEL GRAY |
| 2 | 532 42 14-48 | HEADLIGHT BEZEL GRAY |
| 3 | 532 17 86-66 | HALOGEN HEADLIGHT |
| 4 | 532 18 44-71 | SHOULDER SCREW 10-24 X .625 |
| 5 | 532 17 52-62 | SCREW 10-24 X 1.25 |
| 6 | 532 41 77-60 | GRIP SWITCH |
| 7 | 532 40 56-99 | WIRE HARNESS |
| 8 | 532 40 16-20 | BULB |

NOTE: All component dimensions given in U.S. inches. 1 inch = 25.4 mm
IMPORTANT: Use only Original Equipment Manufacturer (O.E.M.) replacement parts.
 Failure to do so could be hazardous, damage your snow thrower and void your warranty.



01.02.001-D_Sheet_2

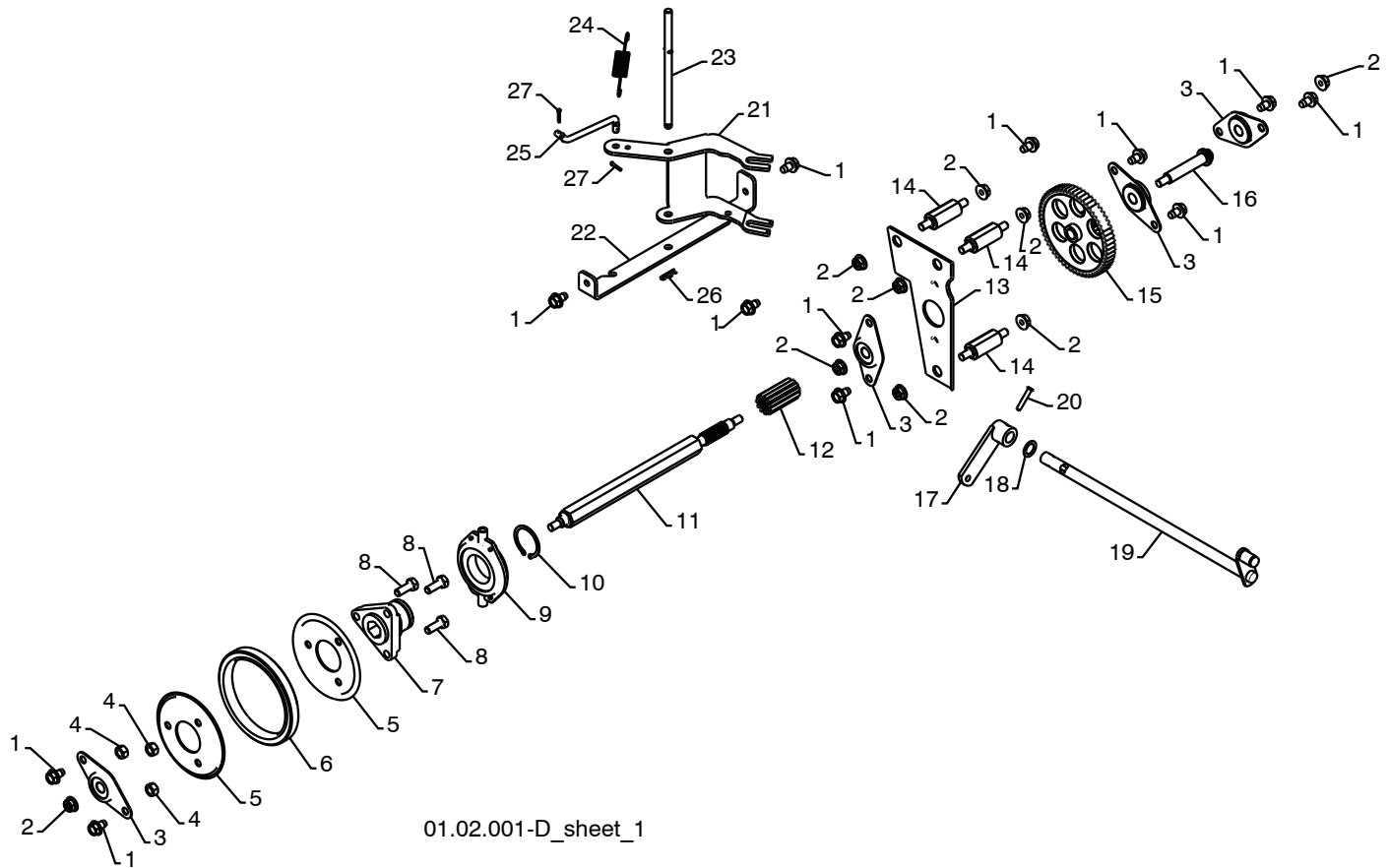
NOTE: All component dimensions given in U.S. inches. 1 inch = 25.4 mm
IMPORTANT: Use only Original Equipment Manufacturer (O.E.M.) replacement parts.
 Failure to do so could be hazardous, damage your snow thrower and void your warranty.

SNOW THROWER - MODEL NO. 1130SB-LS (96193002900), PRODUCT NO. 961 93 00-29

| KEY NO. | PART NO. | DESCRIPTION |
|---------|--------------|------------------------------|
| 1 | 532 19 84-74 | SPEED SELECTOR HEAD ASSEMBLY |
| 2 | 817 50 10-10 | SCREW 10-24 X .625 |
| 3 | 532 19 77-63 | DRIVE PLATE WELDMENT |
| 4 | 532 19 77-64 | HEX SHAFT |
| 5 | 532 17 53-44 | TRUNNION BEARING ASSEMBLY |
| 6 | 812 00 00-12 | RETAINER |
| 7 | 872 27 05-05 | CARRIAGE BOLT 5/16-18 X .625 |
| 8 | 532 18 89-09 | FLANGE BEARING |
| 9 | 532 18 25-04 | SPACER |
| 10 | 532 18 40-77 | LEVER SHIFTER PLATE |
| 11 | 532 18 40-76 | SHIFTER SUPPORT BRACKET |
| 12 | 532 17 86-95 | PIN |
| 13 | 532 08 51-79 | RETAINER |
| 14 | 817 49 04-08 | SCREW 1/4-20 X .500 |
| 15 | 817 49 05-08 | BOLT 5/16-18 X .500 |
| 16 | 532 18 40-75 | DRIVE MOUNT PLATE |
| 17 | 532 15 53-77 | NUT 5/16-18 |
| 18 | 532 19 10-80 | TRACTION PULLEY |
| 19 | 819 11 15-07 | WASHER |
| 20 | 810 04 05-00 | LOCKWASHER 5/16 |
| 21 | 874 95 05-12 | SCREW 5/16-18 X .750 |
| 22 | 532 41 99-25 | IDLER BRAKE ARM |
| 23 | 532 18 05-23 | IDLER PULLEY |
| 24 | 532 18 40-74 | IDLER PIVOT BRACKET |
| 25 | 532 17 53-30 | PIN |
| 26 | 874 78 05-24 | SCREW 5/16-18 X 1.50 |
| 27 | 532 16 67-85 | NUT 5/16-18 |
| 28 | 532 18 10-44 | TRACTION SPRING |
| 29 | 532 17 93-54 | IDLER TRACTION ARM |
| 30 | 532 18 05-22 | IDLER PULLEY |
| 31 | 874 78 05-20 | SCREW 5/16-18 X 1.25 |
| 32 | 532 05 92-89 | WASHER |
| 33 | 873 93 05-00 | NUT 5/16-18 |
| 34 | 532 85 10-84 | SCREW 3/8-24 X 1.38 |
| 35 | 532 85 02-63 | LOCKWASHER 3/8 |
| 36 | 532 40 00-26 | WASHER |
| 37 | 532 18 04-78 | ENGINE TRACTION PULLEY |
| 38 | 532 40 94-75 | SPACER |
| 39 | 532 17 90-95 | RETURN SPRING |
| 40 | 532 15 54-52 | BELT GUIDE |
| 41 | 874 61 05-16 | SCREW 5/16-18 X 1.00 |
| 42 | 532 17 53-31 | BUSHING |
| 43 | 811 05 05-00 | LOCKWASHER 5/16 |
| 44 | 532 17 88-28 | BRAKE SPRING |
| 45 | 532 15 54-15 | WASHER |

NOTE: All component dimensions given in U.S. inches. 1 inch = 25.4 mm

IMPORTANT: Use only Original Equipment Manufacturer (O.E.M.) replacement parts. Failure to do so could be hazardous, damage your snow thrower and void your warranty.



01.02.001-D_sheet_1

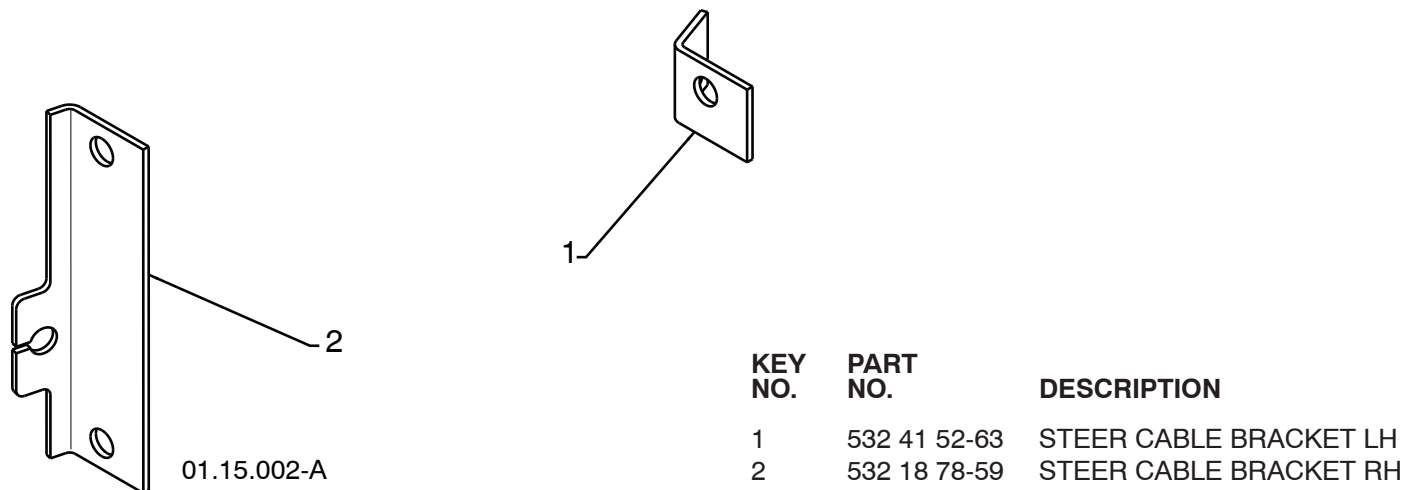
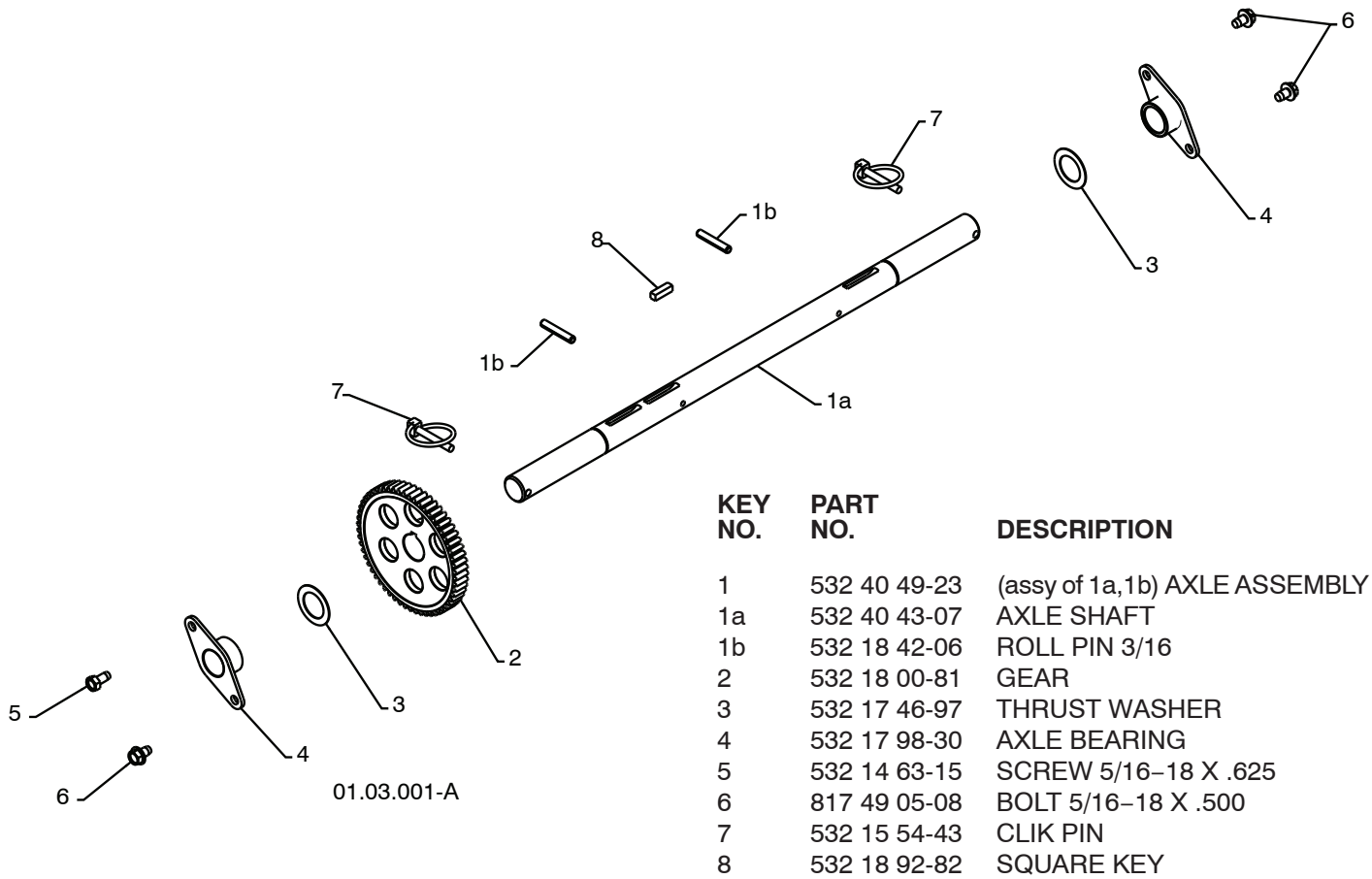
| KEY NO. | PART NO. | DESCRIPTION | KEY NO. | PART NO. | DESCRIPTION |
|---------|--------------|---------------------------|---------|--------------|------------------------|
| 1 | 817 49 05-08 | BOLT 5/16-18 X .500 | 14 | 532 17 92-70 | SPACER PLATE |
| 2 | 532 75 11-53 | NUT 5/16-18 | 15 | 532 18 00-82 | INTERMEDIATE GEAR |
| 3 | 532 18 00-17 | FLANGE BEARING | 16 | 532 18 01-34 | AUXILIARY SHAFT |
| 4 | 873 93 05-00 | NUT 5/16-18 | 17 | 532 40 54-85 | CONTROL ARM |
| 5 | 532 19 95-09 | RUBBER WHEEL PLATE | 18 | 532 05 70-79 | WASHER |
| 6 | 532 17 98-31 | RUBBER WHEEL RING | 19 | 532 40 61-09 | CONTROL SHAFT ASSEMBLY |
| 7 | 532 17 86-13 | RUBBER WHEEL HUB | 20 | 532 19 85-80 | CLEVIS PIN |
| 8 | 874 76 05-14 | BOLT 5/16-18 X .875 | 21 | 532 18 40-80 | SHIFTER LEVER |
| 9 | 532 17 53-44 | TRUNNION BEARING ASSEMBLY | 22 | 532 18 78-57 | PIVOT BRACKET |
| 10 | 812 00 00-12 | RETAINER | 23 | 532 17 88-07 | PIVOT PIN |
| 11 | 532 18 00-66 | HEX SHAFT | 24 | 532 18 01-35 | SPRING |
| 12 | 532 18 00-65 | PINION GEAR | 25 | 532 18 71-01 | SHIFTER LINK |
| 13 | 532 19 29-07 | AUXILIARY PLATE | 26 | 532 08 51-79 | RETAINER |
| | | | 27 | 532 70 02-79 | CLIP |

NOTE: All component dimensions given in U.S. inches. 1 inch = 25.4 mm
IMPORTANT: Use only Original Equipment Manufacturer (O.E.M.) replacement parts. Failure to do so could be hazardous, damage your snow thrower and void your warranty.

REPAIR PARTS

DRIVE

SNOW THROWER - MODEL NO. 1130SB-LS (96193002900), PRODUCT NO. 961 93 00-29

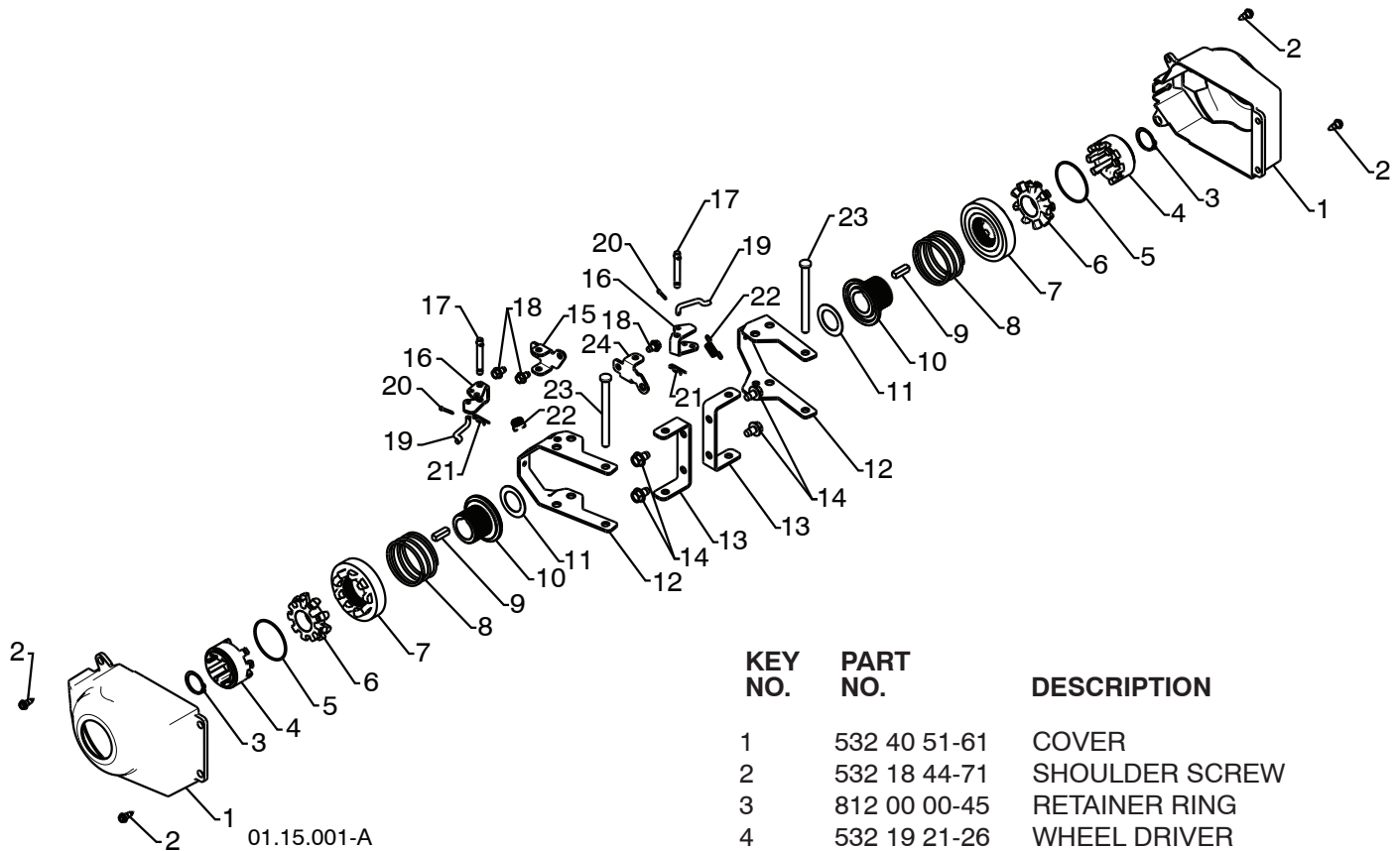


NOTE: All component dimensions given in U.S. inches. 1 inch = 25.4 mm
IMPORTANT: Use only Original Equipment Manufacturer (O.E.M.) replacement parts.
 Failure to do so could be hazardous, damage your snow thrower and void your warranty.

REPAIR PARTS

DRIVE

SNOW THROWER - MODEL NO. 1130SB-LS (96193002900), PRODUCT NO. 961 93 00-29



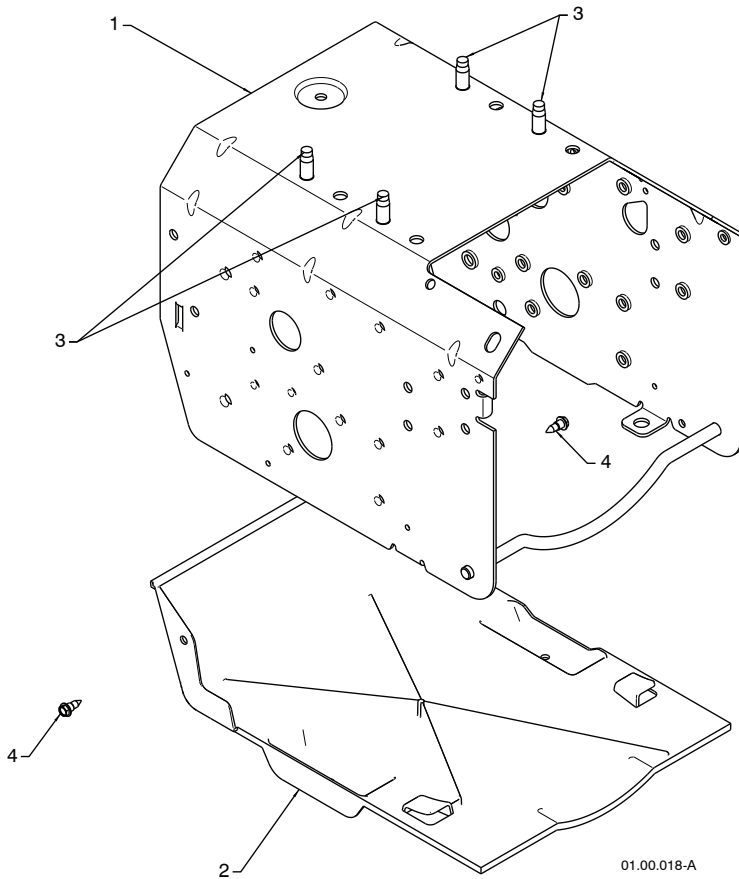
| KEY NO. | PART NO. | DESCRIPTION |
|---------|--------------|---------------------|
| 1 | 532 40 51-61 | COVER |
| 2 | 532 18 44-71 | SHOULDER SCREW |
| 3 | 812 00 00-45 | RETAINER RING |
| 4 | 532 19 21-26 | WHEEL DRIVER |
| 5 | 532 18 24-66 | RETAINER RING |
| 6 | 532 18 76-22 | WHEEL LOBE |
| 7 | 532 19 49-41 | CLUTCH SLIDE |
| 8 | 532 17 91-39 | SPRING |
| 9 | 532 18 92-82 | SQUARE KEY |
| 10 | 532 19 49-40 | AXLE LOBE |
| 11 | 532 17 46-97 | THRUST WASHER |
| 12 | 532 19 95-19 | STEERING YOKE |
| 13 | 532 18 41-97 | STEERING BRACKET |
| 14 | 817 49 05-08 | SCREW 5/16-18 X .50 |
| 15 | 532 19 95-11 | PIVOT BRACKET |
| 16 | 532 19 95-18 | BELLCRANK |
| 17 | 532 18 18-47 | BELLCRANK PIN |
| 18 | 817 60 04-06 | SCREW 1/4-20 X .375 |
| 19 | 532 40 50-77 | STEERING LINK |
| 20 | 532 70 02-79 | RETAINER |
| 21 | 532 08 51-79 | RETAINER |
| 22 | 532 19 38-85 | SPRING |
| 23 | 532 18 20-15 | LEVER PIN |
| 24 | 532 19 95-12 | PIVOT BRACKET |

NOTE: All component dimensions given in U.S. inches. 1 inch = 25.4 mm
IMPORTANT: Use only Original Equipment Manufacturer (O.E.M.) replacement parts.
 Failure to do so could be hazardous, damage your snow thrower and void your warranty.

REPAIR PARTS

CHASSIS / ENGINE / PULLEYS

SNOW THROWER - MODEL NO. 1130SB-LS (96193002900), PRODUCT NO. 961 93 00-29



01.00.018-A

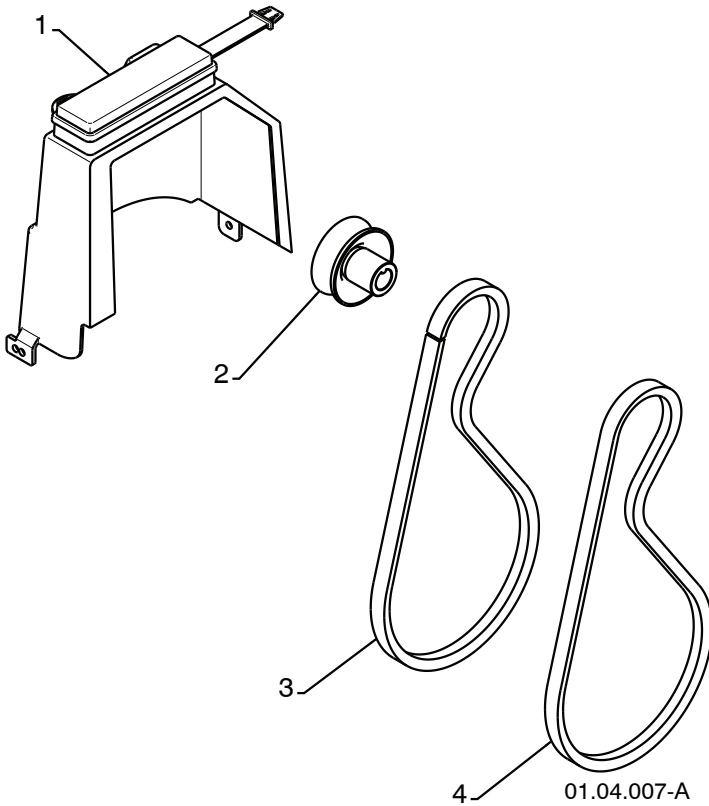
| KEY NO. | PART NO. | DESCRIPTION |
|---------|--------------|----------------------------------|
| - | ----- | ENGINE TEC MODEL LH358SA-159648A |
| 1 | 532 41 61-55 | FRAME |
| 2 | 532 41 08-77 | BOTTOM PAN |
| 3 | 532 15 04-06 | BOLT 3/8-16 |
| 4 | 532 18 44-71 | SCREW 10-24 X .625 |

NOTE: All component dimensions given in U.S. inches. 1 inch = 25.4 mm
IMPORTANT: Use only Original Equipment Manufacturer (O.E.M.) replacement parts.
 Failure to do so could be hazardous, damage your snow thrower and void your warranty.

REPAIR PARTS

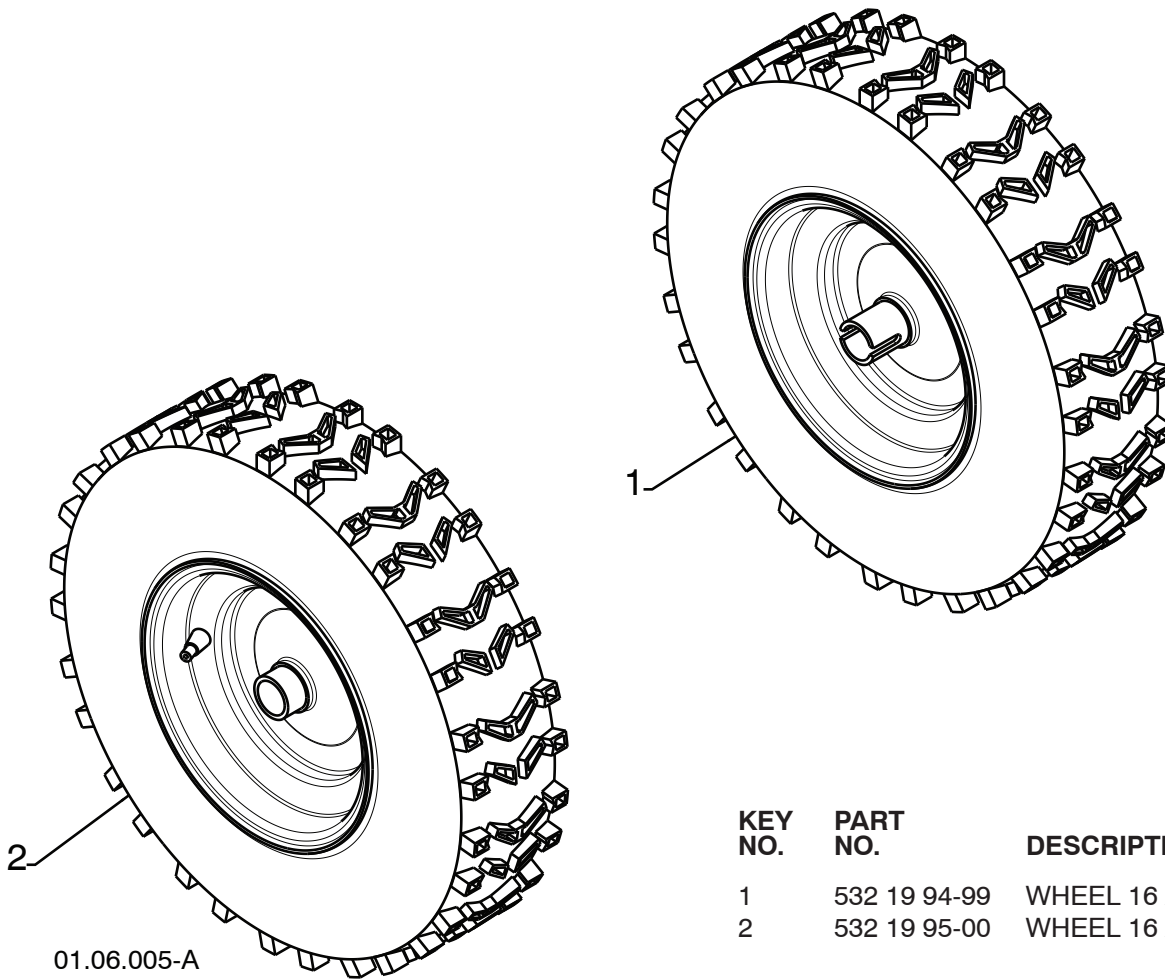
CHASSIS / ENGINE / PULLEYS

SNOW THROWER - MODEL NO. 1130SB-LS (96193002900), PRODUCT NO. 961 93 00-29



| KEY NO. | PART NO. | DESCRIPTION |
|---------|--------------|----------------|
| 1 | 532 19 22-13 | COVER ASSEMBLY |
| 2 | 532 17 91-57 | PULLEY |
| 3 | 532 41 97-44 | TRACTION BELT |
| 4 | 532 40 80-10 | IMPELLER BELT |

NOTE: All component dimensions given in U.S. inches. 1 inch = 25.4 mm
IMPORTANT: Use only Original Equipment Manufacturer (O.E.M.) replacement parts.
Failure to do so could be hazardous, damage your snow thrower and void your warranty.



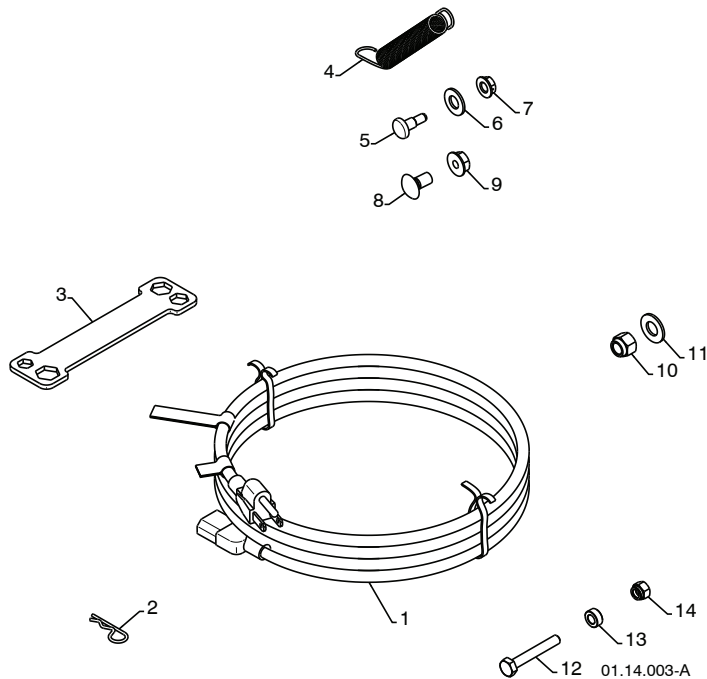
| KEY NO. | PART NO. | DESCRIPTION |
|---------|--------------|----------------------|
| 1 | 532 19 94-99 | WHEEL 16 X 4.80 X LH |
| 2 | 532 19 95-00 | WHEEL 16 X 4.80 X RH |

NOTE: All component dimensions given in U.S. inches. 1 inch = 25.4 mm
IMPORTANT: Use only Original Equipment Manufacturer (O.E.M.) replacement parts.
 Failure to do so could be hazardous, damage your snow thrower and void your warranty.

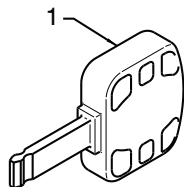
REPAIR PARTS

BAG OF PARTS

SNOW THROWER - MODEL NO. 1130SB-LS (96193002900), PRODUCT NO. 961 93 00-29



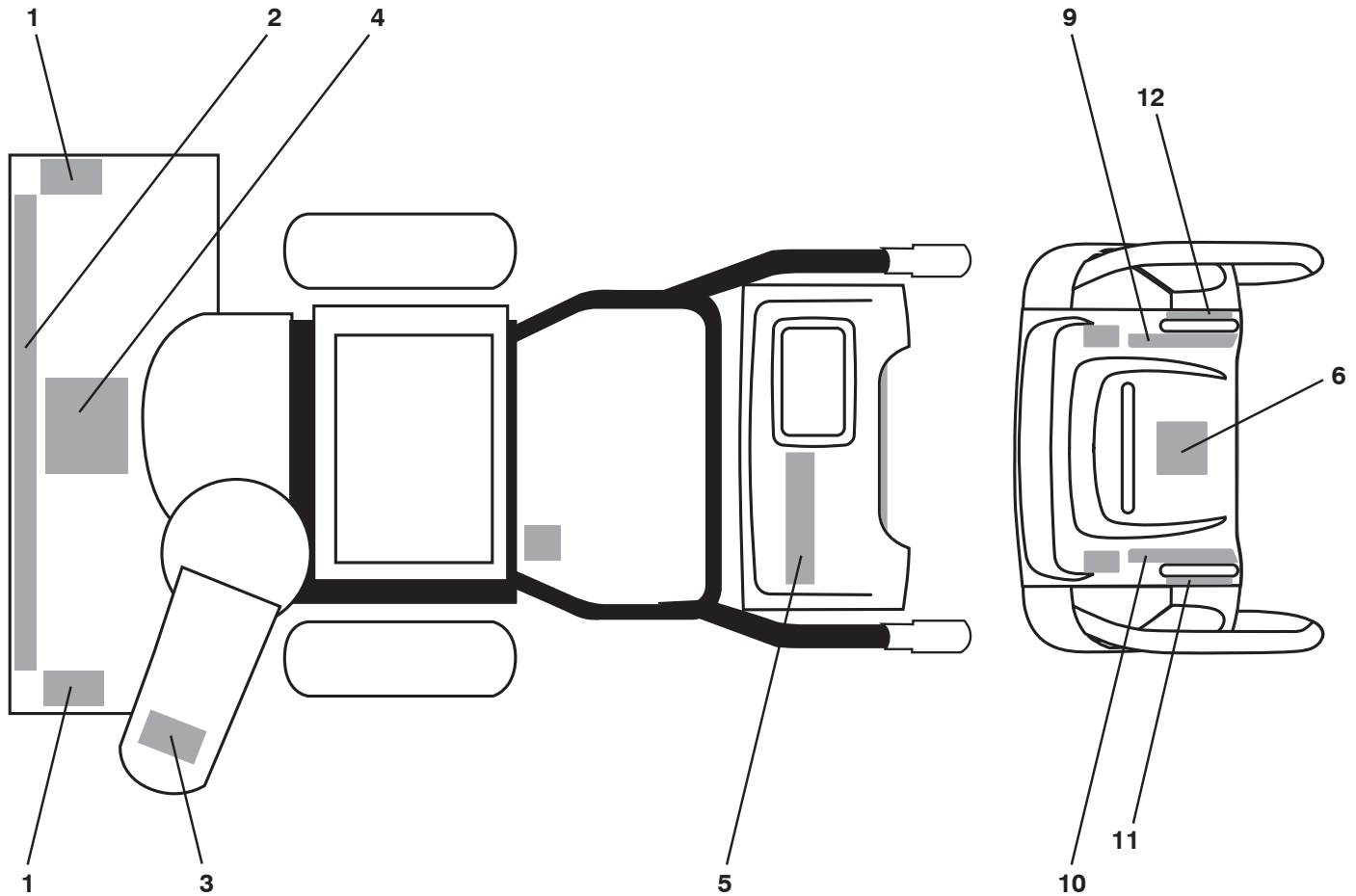
| KEY NO. | PART NO. | DESCRIPTION |
|---------|--------------|-----------------------------|
| 1 | 532 19 85-63 | POWER CORD |
| 2 | 532 16 96-75 | RETAINER PIN |
| 3 | 532 18 06-84 | WRENCH |
| 4 | 532 18 45-05 | REMOTE SPRING |
| 5 | 532 17 98-29 | SHOULDER BOLT 1/4-20 |
| 6 | 532 17 92-46 | NYLON WASHER 1/4-20 |
| 7 | 532 19 17-30 | LOCKNUT 1/4-20 |
| 8 | 872 25 05-05 | CARRIAGE BOLT 5/16-18 X 5/8 |
| 9 | 532 75 11-53 | LOCKNUT 5/16-18 |
| 10 | 873 80 06-00 | LOCKNUT 3/8-16 |
| 11 | 819 13 13-16 | WASHER 3/8 |
| 12 | 532 19 86-36 | SHEAR BOLT 1/4-20 X 1-3/4 |
| 13 | 532 19 86-38 | SPACER |
| 14 | 873 80 04-00 | LOCKNUT 1/4-20 |



01.14.008-A

| KEY NO. | PART NO. | DESCRIPTION |
|---------|--------------|---------------------|
| 1 | 532 03 50-62 | SAFETY IGNITION KEY |

NOTE: All component dimensions given in U.S. inches. 1 inch = 25.4 mm
IMPORTANT: Use only Original Equipment Manufacturer (O.E.M.) replacement parts.
 Failure to do so could be hazardous, damage your snow thrower and void your warranty.



| KEY NO. | PART NO. | DESCRIPTION |
|---------|--------------|--------------------------|
| 1 | 532 18 10-37 | DECAL, DANGER |
| 2 | 532 42 10-44 | DECAL, HUSQ |
| 3 | 532 18 10-35 | DECAL, DANGER, DEFLECTOR |
| 4 | 532 18 10-42 | DECAL, DANGER |
| 5 | 532 42 10-43 | DECAL, HUSQ |
| 6 | 532 18 10-33 | DECAL, INSTRUCTION |
| 9 | 532 41 54-75 | DECAL, SPEED CONTROL |
| 10 | 532 18 37-30 | DECAL, REMOTE DEFLECTOR |
| 11 | 532 41 53-99 | DECAL, LH TRIGGER |
| | 532 41 53-98 | DECAL, RH TRIGGER |
| -- | 532 42 09-31 | OWNER'S MANUAL, ENGLISH |
| -- | 532 42 09-32 | OWNER'S MANUAL, FRENCH |

NOTE: All component dimensions given in U.S. inches. 1 inch = 25.4 mm
IMPORTANT: Use only Original Equipment Manufacturer (O.E.M.) replacement parts.
 Failure to do so could be hazardous, damage your snow thrower and void your warranty.