

## Angle Drill - 0 601 132 034 - 1132

www.powertools-aftersaleservice.com

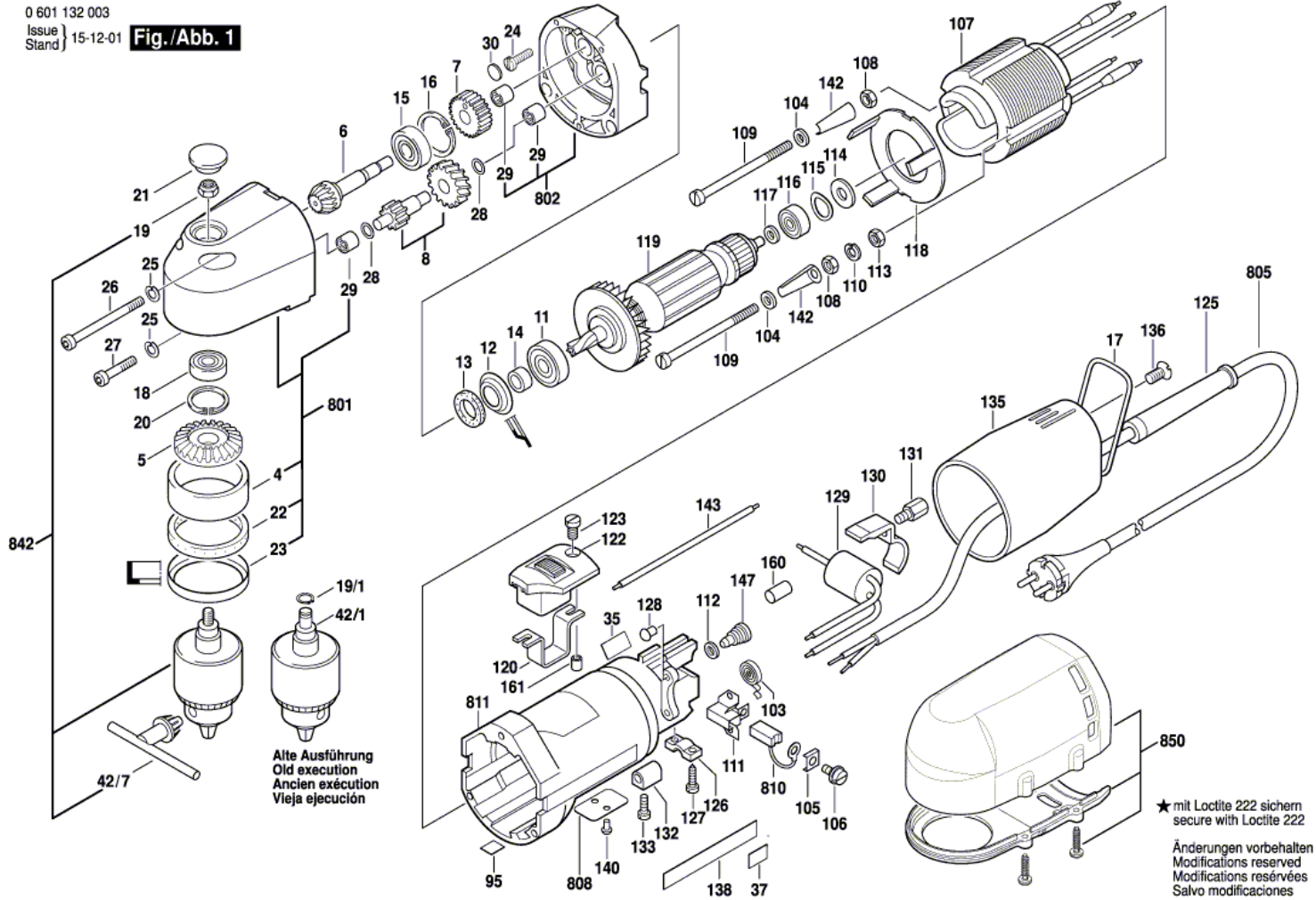


**BOSCH**

Item	Part Number	Description	Illustration	Price	Quantity	Price Group
	2 2 604 220 566	Field 115V	N/A	-,-	1	30
3/60	2 606 610 081	Fan	N/A	-,-	1	19
	4 2 600 390 028	Sintered-Metal Bushing	1	-,-	1	15
	5 3 606 333 035	Crown Gear Z=36	1	-,-	1	35
	6 3 606 333 038	Bevel Gear Z=18	1	-,-	1	39
	7 3 606 317 010	Cylindrical Gear Z=21	1	-,-	1	30
	8 3 606 309 071	Toothed Shaft	1	-,-	1	35
	11 3 600 905 039	groove ball bearing 9x24x7 MM	1	-,-	1	24
	12 2 600 500 017	Cupped Washer	1	-,-	1	10
	13 2 600 108 026	Felt Washer	1	-,-	1	11
	14 2 600 300 047	Seal Bushing	1	-,-	1	13
	15 1 900 905 029	Ball Bearing 8x22x7	1	-,-	1	28
	16 2 916 660 007	Spring retaining ring DIN 472-22x1MM	1	-,-	1	10
	17 1 604 682 003	Suspension Loop	1	-,-	1	14
	18 2 600 905 032	Ball Bearing 7x19x6	1	-,-	1	17
	19 2 915 061 003	Hex Nut DIN 985-M 5-8-A	1	-,-	1	12
19/1	2 916 640 004	Spring retaining ring DIN 471-7x0,8-FST	1	-,-	1	11
	20 2 916 660 005	Spring retaining ring DIN 472-19x1MM	1	-,-	1	10
	21 3 600 508 008	Plug	1	-,-	1	11
	22 3 600 205 001	Felt Washer	1	-,-	1	12
	23 3 600 500 000	Cover Ring	1	-,-	1	14
	24 2 910 021 128	Socket head cap screw DIN 84-AM4x18-8.8	1	-,-	3	12
	25 2 916 690 003	Spring Lock Washer DIN 128-A4-FST	1	-,-	3	10
	26 2 910 141 140	Hex Socket Head Cap Screw DIN 912-M 4x45-8.8	1	-,-	2	11
	27 2 910 141 122	Hex Socket Head Cap Screw DIN 912-M 4x12-8.8	1	-,-	1	10
	28 2 600 100 607	Shim 0,3 MM	1	-,-	2	11
	29 3 600 300 014	Sintered-Metal Bushing	1	-,-	3	11
	30 3 603 100 023	Plug	1	-,-	1	12
	31 2 600 101 617	Shim 0,3 MM	N/A	-,-	1	11
	32 1 600 A00 4HS	Brush Holder	N/A	-,-	1	38
	33 2 605 104 351	Housing Cover BLUE	N/A	-,-	1	24
	34 2 910 211 283	Tapping Screw DIN 7971-B3,9x45	N/A	-,-	1	11

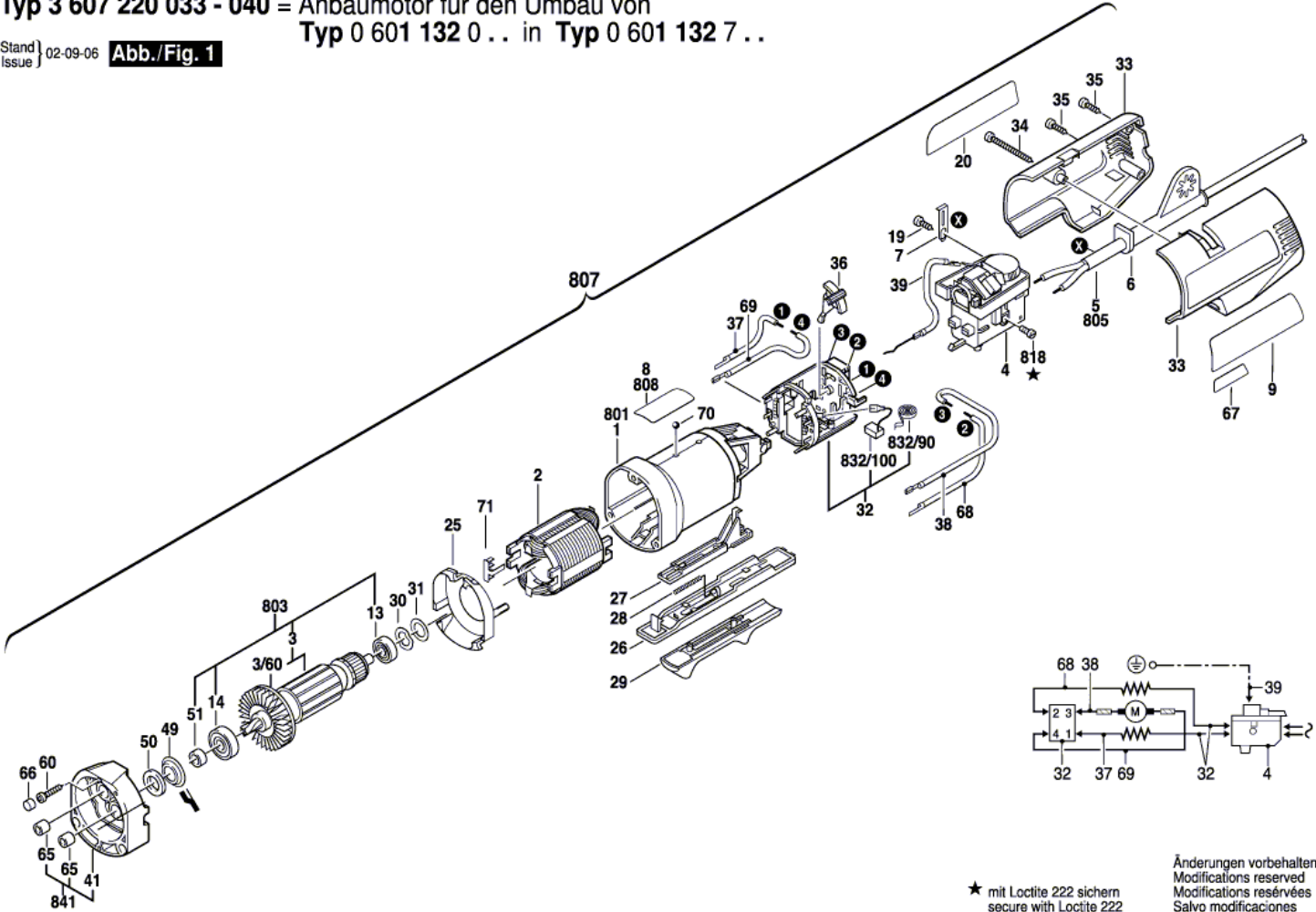
Item	Part Number	Description	Illustration	Price	Quantity	Price Group
36	2 601 990 004	Control Lever	N/A	-,-	1	12
37	1 601 110 058	Reference Plate DOUBLE INSULATION	1	-,-	1	11
38	2 604 448 156	Connecting Cable L=113 MM WHITE	N/A	-,-	1	11
39	2 604 448 163	Earth Conductor	N/A	-,-	1	12
41	3 605 700 067	Bearing Flange	N/A	-,-	1	40
42/7	2 607 950 007	Chuck Wrench SG2	1	-,-	1	19
49	2 600 500 017	Cupped Washer	N/A	-,-	1	10
50	2 600 108 026	Felt Washer	N/A	-,-	1	11
51	2 600 300 047	Seal Bushing	N/A	-,-	1	13
60	2 910 211 021	Tapping Screw DIN 7971-ST3,9x22-F	N/A	-,-	3	10
65	3 600 300 014	Sintered-Metal Bushing	N/A	-,-	3	11
66	3 603 100 023	Plug	N/A	-,-	1	12
67	3 601 110 216	Reference Plate	N/A	-,-	1	15
68	3 604 445 006	Connecting Cable L=91 MM BLUE	N/A	-,-	1	15
69	3 604 445 007	Connecting Cable L=91 MM	N/A	-,-	1	15
70	2 603 230 001	Ball BLUE	N/A	-,-	1	11
71	2 601 329 037	Contact Spring	N/A	-,-	1	11
103	2 604 652 000	Spiral Spring	1	-,-	2	11
104	2 916 011 005	Plain Washer DIN 433-3,2-ST 50	1	-,-	2	10
106	2 914 501 011	Screw and washer assembly DIN7985-M3x6-Z1-4.8	1	-,-	2	10
108	2 915 011 003	Hex Nut DIN 934-M 3-m-8	1	-,-	2	10
109	2 910 011 074	Socket head cap screw DIN 84-BM3x50-5.8	1	-,-	2	10
110	2 916 690 001	Spring Lock Washer A3-FSt	1	-,-	1	10
111	2 601 323 016	Brush Holder	1	-,-	2	14
112	2 916 021 007	Plain Washer Ø 2,6 MM-ST	1	-,-	4	-
114	2 600 100 699	Shim	1	-,-	1	11
115	2 600 150 002	Shim	1	-,-	1	11
116	1 900 905 015	groove ball bearing 625-2Z DIN 625	1	-,-	1	30
117	2 600 100 612	Shim 0,3 MM	1	-,-	1	13
118	2 600 113 019	Seal Ring	1	-,-	1	14
119	2 604 010 829	Armature 115V	1	-,-	1	40
120	2 601 322 002	Insulating Part	1	-,-	1	11
122	2 607 200 045	Switch	1	-,-	1	28
123	2 910 771 048	Countersunk-Head Screw M 3x6 DIN 963-5.8	1	-,-	1	11
125	2 600 707 060	Grommet Ø11,6-Ø12,5x84 MM	1	-,-	1	13
125	2 600 707 061	Grommet Ø8,8 MM	1	-,-	1	11
126	2 601 035 005	Cable Clip	1	-,-	1	11
127	2 910 211 011	Tapping Screw DIN 7971-BZ3,5x13	1	-,-	2	10
128	2 917 170 554	Tubular rivet A2,5x0,3x4DIN7340-MS	1	-,-	4	10
130	2 601 301 002	Fastening Clamp	1	-,-	1	12
131	2 603 527 004	Hex Screw	1	-,-	2	11
132	2 604 490 005	connecting terminal	1	-,-	4	11
133	2 603 410 009	Socket head cap screw	1	-,-	8	11
135	3 600 508 004	Housing Cover BLACK	1	-,-	1	26
136	2 910 501 084	Countersunk-Head Screw DIN 63-AM3,5x8-5.8	1	-,-	2	11
138	3 601 007 011	Sticker	1	-,-	2	11
138	3 601 110 161	Sticker	1	-,-	1	13
140	3 603 133 000	Grooved Nail	1	-,-	2	12
142	2 601 099 015	Cable Clip	1	-,-	2	11
143	2 604 411 061	Cable	1	-,-	4	14
147	2 603 123 013	Retaining Pin	1	-,-	4	11
160	2 603 349 039	Press-In Nut	1	-,-	2	11

Item	Part Number	Description	Illustration	Price	Quantity	Price Group
161	2 603 349 038	Press-In Nut	1	-,-	1	11
801	3 607 031 170	Gear Housing	1	-,-	1	43
802	3 607 031 169	Bearing Flange	1	-,-	1	40
803	3 604 010 067	Armature 110-115V	N/A	-,-	1	45
805	2 604 460 032	Elec. Cable W/Connection	1	-,-	1	-
807	3 607 220 035	Un. Flange-Mtd. Motor 115V	2	-,-	1	47
808	1 601 11A 3H3	Nameplate	1	-,-	1	13
810	2 604 320 905	Carbon-Brush Set	1	-,-	1	22
811	2 605 108 032	Motor Housing BLUE	1	-,-	1	39
818	1 603 429 002	Socket head cap screw M3,5x7 MM	N/A	-,-	2	11
832/90	1 604 652 013	Spiral Spring	N/A	-,-	2	11
832/100	1 607 014 17J	Carbon-Brush Set	N/A	-,-	1	21
842	3 608 571 007	Key Chuck	1	-,-	1	44
850	3 605 500 201	Cover	1	-,-	1	30



**Typ 3 607 220 033 - 040 = Anbaumotor für den Umbau von  
Typ 0 601 132 0.. in Typ 0 601 132 7..**

Stand } 02-09-06 **Abb./Fig. 1**  
Issue }



★ mit Loctite 222 sichern  
secure with Loctite 222

Änderungen vorbehalten  
Modifications reserved  
Modifications réservées  
Salvo modificaciones

Information subject to change without further notice.