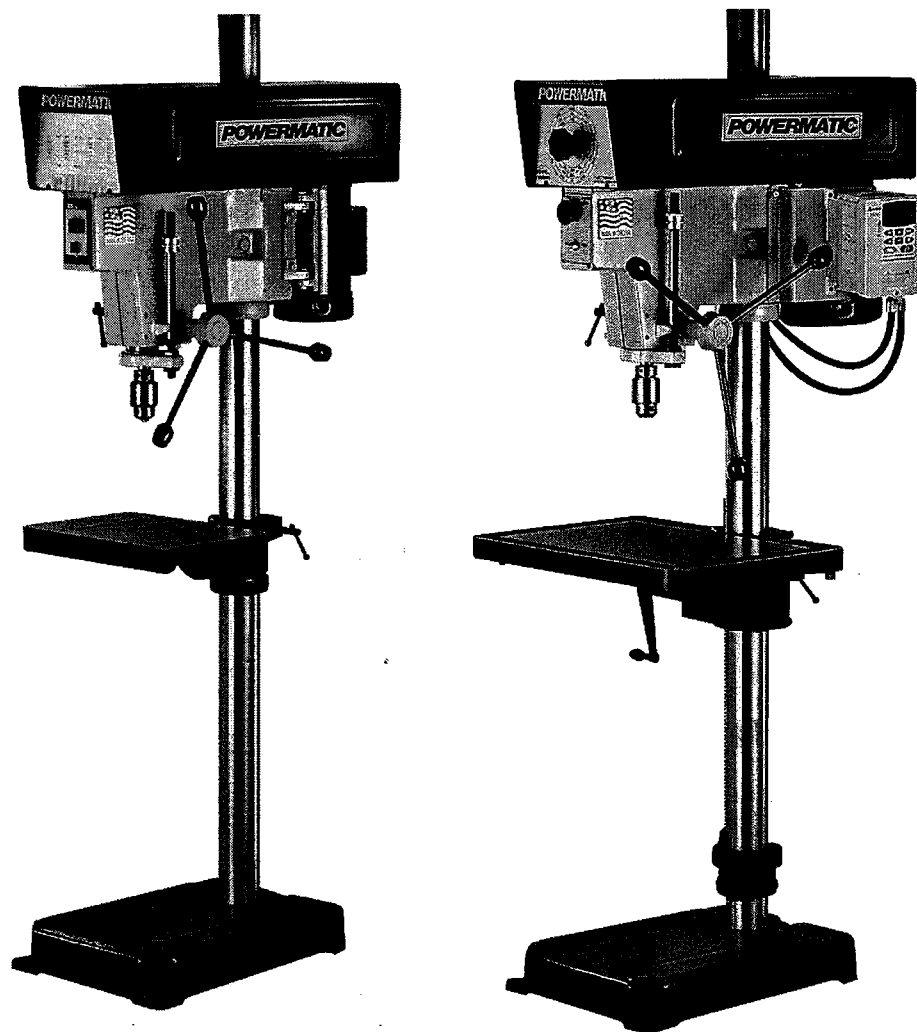


15" DRILL PRESS

Models 1150A & 1150HD

Instruction Manual & Parts List

M-0460256



POWERMATIC®

(800) 248-0144
www.powermatic.com

PARTS LIST: Head Assembly,
1 Spring Keychuck & 1 Spring Taper Socket (1150A & 1150HD)

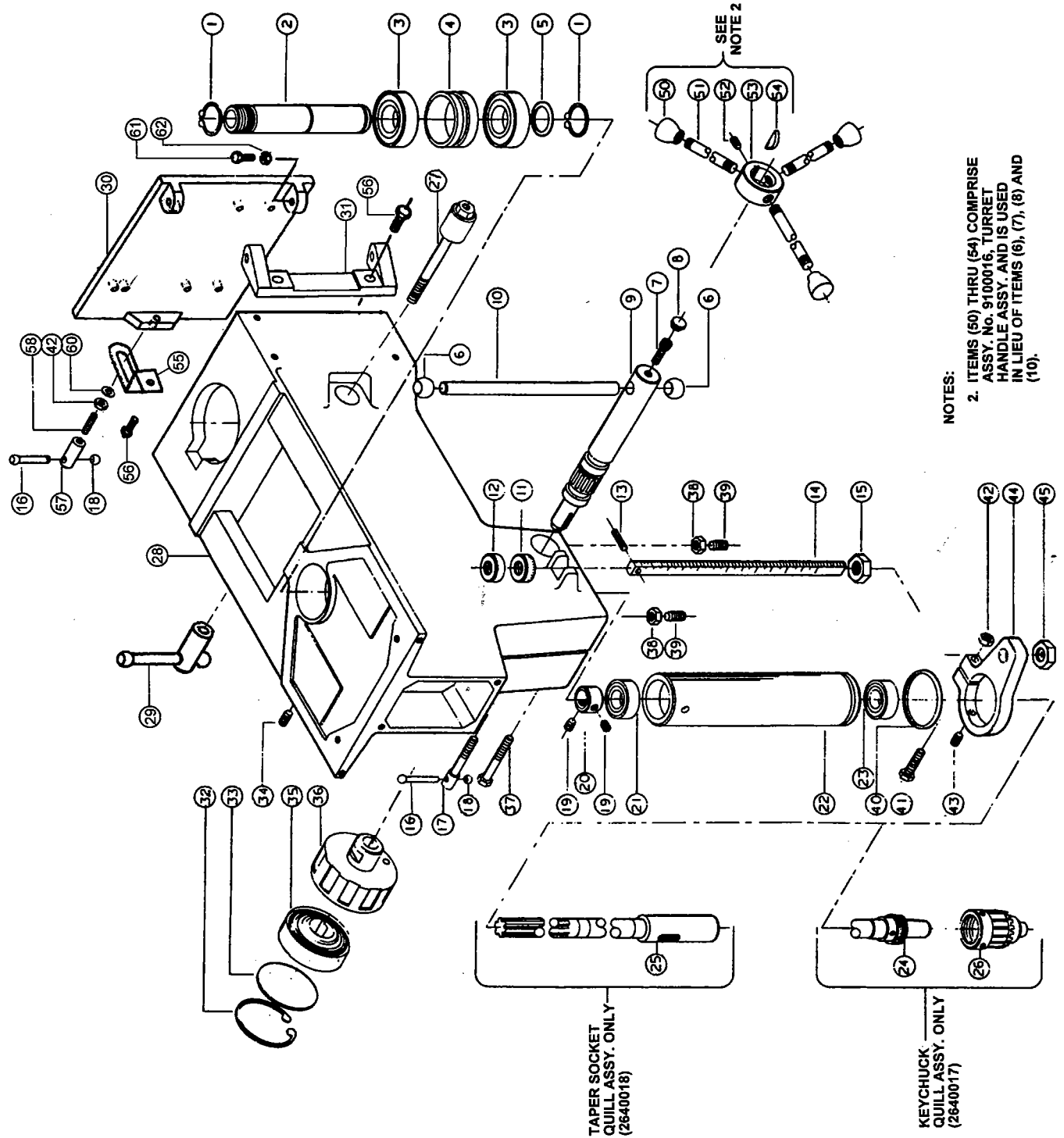
No.	Part No.	Description	Quantity
	2144003	Drive Spline Assembly (Items 1 thru 5)	1
1	6670006	Retaining Ring	2
2	3144006	Internal Drive (Shaft)	1
3	6060014	Bearing	2
4	3737021	Bearing Spacer	1
5	6804003	"O" Ring	1
	2240071	Pinion Gear Assembly, (Items 6 thru 10)	1
6	3406045	Handle Knob	2
7	6714019	Socket Head Cap Screw, 1/4-20 X 5/8	1
8	6430024	Shear-Loc Knob	1
9	3586025	Quill Operating Pinion	1
10	3268053	Handle	1
	2670014	Depth Adjustment Rod Assembly (Items 11 thru 15)	1
11	3526093	Graduated Depth Stop Nut	1
12	3526094	Plain Depth Stop Nut	1
13	6626035	Spring Pin, 3/16 X 5/8	1
14	3670102	Depth Adjust Rod	1
15	3528005	Lock Nut	1
	2695009	Lock Screw Assembly (Items 16 thru 18)	1
16	3268002	Handle	1
17	3695010	Lock Screw	1
18	3406016	Handle Knob	2
	2640017	Keychuck Quill Assembly (Items 19 thru 24)	1
	2640018	Taper Socket Quill Assembly (Items 19 thru 23 & 25)	1
19	6715016	Cup Point Socket Set Screw, 5/16-18 X 5/16	2
20	3096244	Collar	1
21	6060165	Bearing	1
22	3640016	Sliding Quill	1
23	6060009	Bearing	1
24	2749037	Spindle Assembly, (1 Spring Keychuck only)	1
25	3749105	Taper Socket Spindle, (1 Spring Taper Socket Only)	1
26	6118005	Jacobs Chuck, 1/2" W/33 MT	1
27	2440013	Head Sleeve Lock Assembly (Weldment)	1
28	3277028	Drill Press Head	1
29	2440014	Lock Assembly	1
30	3042019	Motor Base	1
31	3063004	Motor Base Bracket	1
32	3661016	Retaining Ring	1
33	3104010	Spring Cover	1
34	6715116	Half Dog Point Socket Set Screw, 5/16-18 X 1/2	1
35	6813026	Spring	1
36	3298288	Single Spring Housing	1
37	6716040	Hex Head Screw, 3/8-16 X 2-1/2	1
38	6518001	Hex Nut, 1/2-13	2
39	6718038	Half Dog Point Socket Set Screw, 1/2-13 X 1-1/4	2
40	6804004	"O" Ring	1
41	6715039	Hex Head Screw, 5/16-18 X 1-3/4	1
42	6515001	Hex Nut, 5/16-18	1
43	6714090	Half Dog Point Socket Set Screw, 1/4-20 X 1/2	1
44	3936013	Quill Yoke	1
45	3528005	Lock Nut	1
	9100016	Turret Handle Assembly, (Items 50 thru 54) (In lieu of standard)	1

PARTS LIST: Head Assembly,
1 Spring Keychuck & 1 Spring Taper Socket (1150A & 1150HD)

No.	Part No.	Description	Quantity
	2268006	Handle Assembly (Items 50 & 51)	1
50	3406206	Phenolic Knob.....	3
51	3670025	Turret Rod	3
52	6715013	Knurled Cup Point Soc. Set Screw, 5/16-18 X 3/8	1
53	3301003	Turret Hub	1
54	6420001	Woodruff Key	1
55	3064051	Lock Bracket	1
56	6715035	Hex Head Screw, 5/16-18 x 3/4	1
57	3448032	Motor Mount Lock	1
58	6715143	Flat Point Set Screw, 5/16-18 x 1-1/4	1
60	6861201	Flat Washer, 5/16	1
61	6715037	Hex Head Screw, 5/16-18 x 1-1/2	2
62	6515007	Plated Jam Nut, 5/16-18.....	2

Head Assembly

1 Spring Keychuck & 1 Spring Taper Socket (1150A & 1150HD)

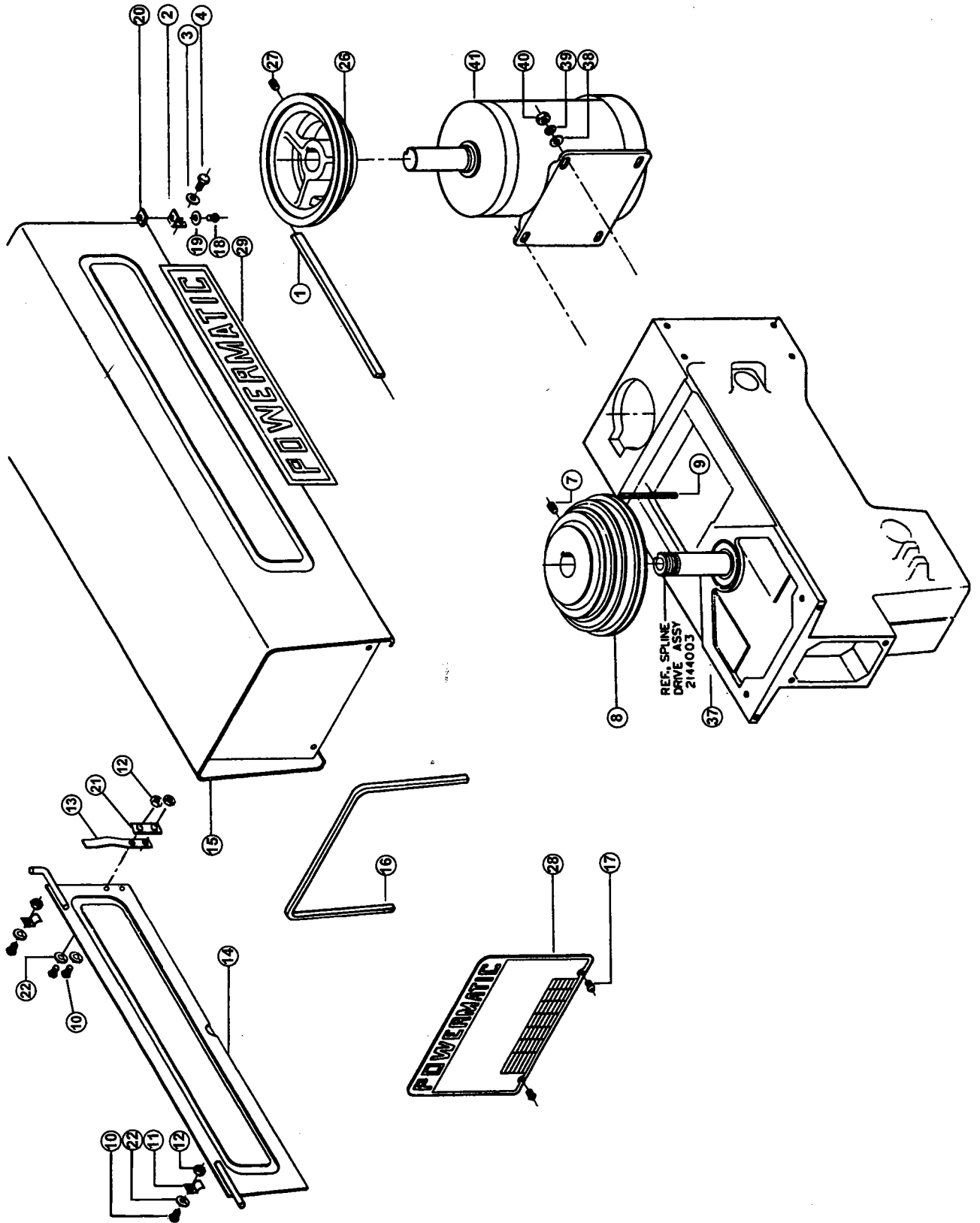


NOTES:
 2. ITEMS (50) THRU (54) COMPRISE ASSY. No. 9100016, TURRET HANDLE ASSY. AND IS USED IN LIEU OF ITEMS (6), (7), (8) AND (10).

PARTS LIST: Stepcone Assembly (1150A only)

No.	Part No.	Description	Quantity
	2387004	Stepcone Sheave Kit (Items 1 thru 9)	1
1	6077018	Vee Belt	1
2	3062109	Angle Bracket	2
3	6861101	Flat Washer, 1/4	4
4	6714154	Hex Head Screw, 1/4-20 X 3/8	4
7	6715014	Cup Point Socket Set Screw, 5/16-18 X 1/2	1
8	3718031	Stepcone Sheave	1
9	3387028	Flat Key, 3/16 X 1/4 X 3-5/16	1
	2250141	Stepcone Guard Assembly (Items 10 thru 20)	1
10	6710034	Round Head Screw, 10-24 X 1/2	4
11	6122038	Weckesser Clamp, 3/16-H-FR	2
12	6510001	Hex Nut, 10-24	4
13	3755258	Spring	1
14	2250133	Door Guard Assembly (Weldment)	1
15	2250132	Guard Assembly (Weldment)	1
16	6458002	Rubber Molding	1
17	6714083	Button Head Screw, 1/4-20 X 1/2	2
18	6710003	Truss Head Screw, 10-24 X 1/2	2
19	6860800	Flat Washer, No. 10	2
20	6510009	Speed Nut	2
	2268025	Stepcone Base Lock Handle Assembly (Items 21 thru 25)	1
	2717003	Stepcone Motor Sheave Assembly (Items 26 & 27)	1
21	3595381	Plate (Stiffening)	2
22	6860802	Lock Washer, #10	4
26	3718032	Stepcone Sheave	1
27	6715014	Cup Point Socket Screw, 5/16-18 X 1/2	1
	2388062	Stepcone Plate Kit (Items 28 thru 32)	1
28	3119004	Identification Decal	1
29	3119005	Identification Decal	1
30	3330284	Safety Decal (not shown)	1
31	3312228	Serial Plate (not shown)	1
32	6747000	Drive Screw, No. 4 X 3/16 (not shown)	1
37	3277028	Head	1
38	6861201	Flat Washer, 5/16	4
39	6861200	Lock Washer, 5/16	4
40	6515001	Hex Nut, 5/16-18	4
41	6470600	Electric Motor, 3/4 HP, 1 Ph, 1200 RPM, 115/230V, 56FR, TEFC	1
	6470607	Electric Motor, 3/4 HP, 3 Ph, 1200 RPM, 200V, 56FR, TEFC	1
	6470608	Electric Motor, 3/4 HP, 3 Ph, 1200 RPM, 230/460V, 56FR, TEFC	1
	6470700	Electric Motor, 3/4 HP, 1 Ph, 1800 RPM, 115/230V, 56FR, TEFC	1
	6470702	Electric Motor, 3/4 HP, 3 Ph, 1800 RPM, 575V, 56FR, TEFC	1
	6470707	Electric Motor, 3/4 HP, 3 Ph, 1800 RPM, 230/460V, 56FR, TEFC	1
	6470712	Electric Motor, 3/4 HP, 3 Ph, 1800 RPM, 200V, 56FR, TEFC	1
	6470602	Electric Motor, 3/4 HP, 3 Ph, 1200 RPM, 230/460V, 56FR, ODP, High Reversing	1

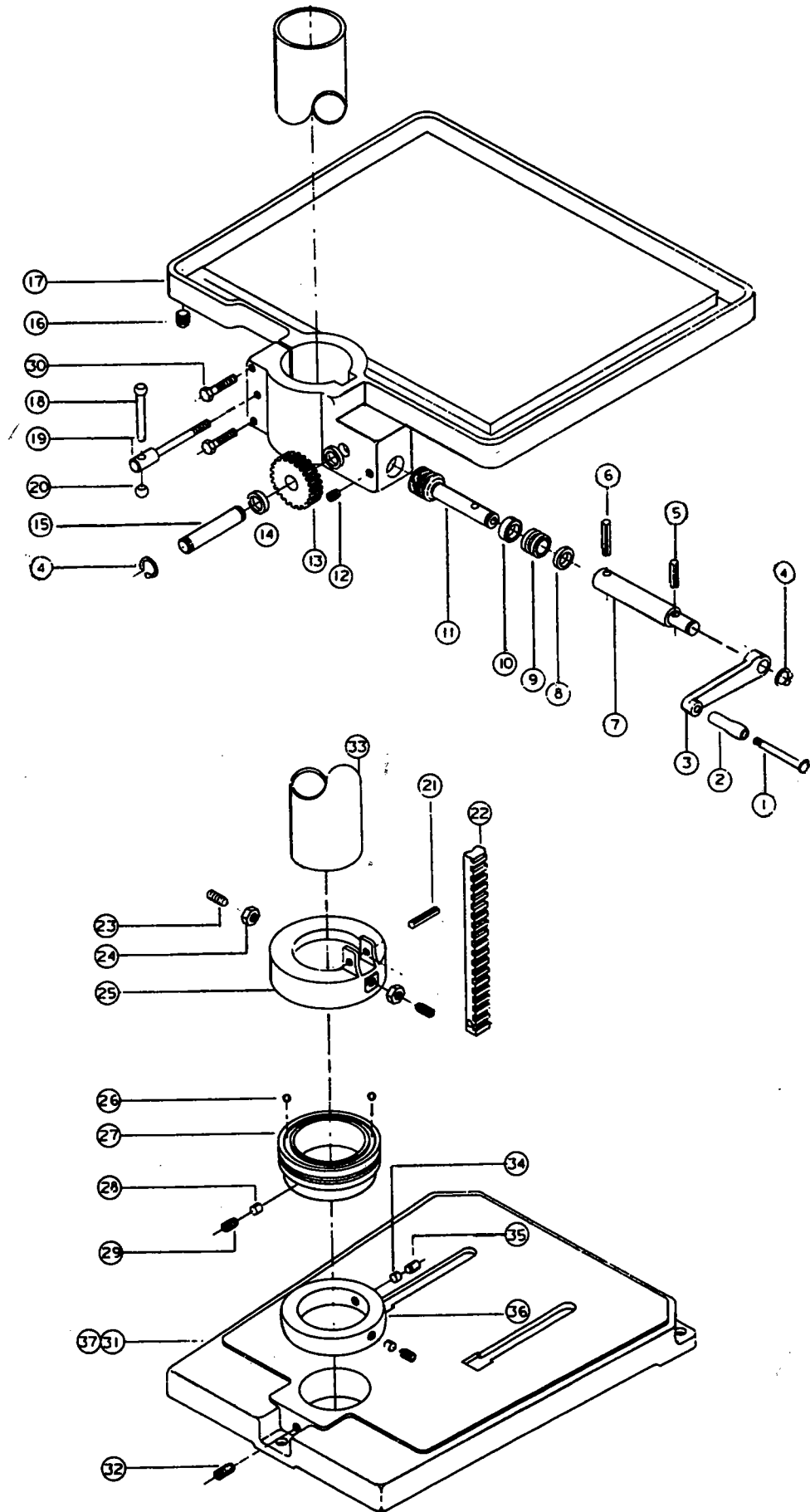
Stepcone Assembly (1150A only)



PARTS LIST: Production Table & Base Assembly (1150A & 1150HD)

No.	Part No.	Description	Quantity
	2797033	Production Table Assembly (Items 1 thru 30)	1
	2797132	Production Table SubAssembly (Items 1 thru 17)	1
	2268013	Table Raising Pinion Handle Assembly (Items 1 thru 3)	1
1	6624006	Flat Head Pin, 3" Long	1
2	3268201	Nylon Machine Handle	1
3	3268005	Table Elevating Handle	1
4	6670008	Retaining Ring (one not shown)	1
5	6626038	Spring Pin, 1/4 X 1	1
6	6626040	Spring Pin, 1/4 X 1-1/4	1
7	3701001	Elevating Handle Shaft	1
8	3838009	Bevel Washer	1
9	2729004	Head Raising Sleeve Assembly	1
10	6064001	Thrust Bearing	1
11	3237332	Worm Gear	1
12	6716099	Half Dog Point Socket Set Screw, 3/8-16 X 5/8	1
13	3237333	Spur Gear	1
14	3743011	Spacer	1
15	3710007	Gear Shaft	1
16	6638004	Pipe Plug, 1/2-14	1
17	3797303	Production Table	1
	2695019	Production Table Lock Screw Assembly (Items 18 thru 20)	1
18	3268002	Handle	1
19	3695070	Lock Screw	1
20	3406016	Knob	1
	2645003	Table Raising Rack Assembly (Items 21 thru 27)	1
21	6626033	Rack Mounting Spring Pin, 3/16 X 2	1
22	3650005	Table Elevating Gear Rack 24" Long	1
23	6715118	Half Dog Point Socket Set Screw, 5/16-18 X 3/4	1
24	6515001	Hex Nut, 5/16-18	2
25	3078026	Thrust Bearing Collar Cap	1
26	6054002	Steel Ball, 3/8" Dia.	41
27	3096042	Thrust Bearing Collar	1
28	3598023	Brass Protector Set Screw Plug, 7/16 X 3/16	1
29	6718055	Cup Point Socket Set Screw, 1/2-13 X 1/2	1
30	6716114	Hex Head Screw, 3/8-16 X 2-3/4 w/ Nylok Insert	2
31	3042121	Drill Press Base	1
32	6718056	Cup Point Socket Set Screw, 1/2-13 X 3/4	1
33	3098209	Drill Press Column	1
34	3598023	Brass Protector Set Screw Plug, 7/16 X 3/16	2
35	6718055	Cup Point Socket Set Screw, 1/2-13 X 1/2	2
36	3096008	Safety Collar	1
37	9100014	Finished Base (in lieu of cast)	1

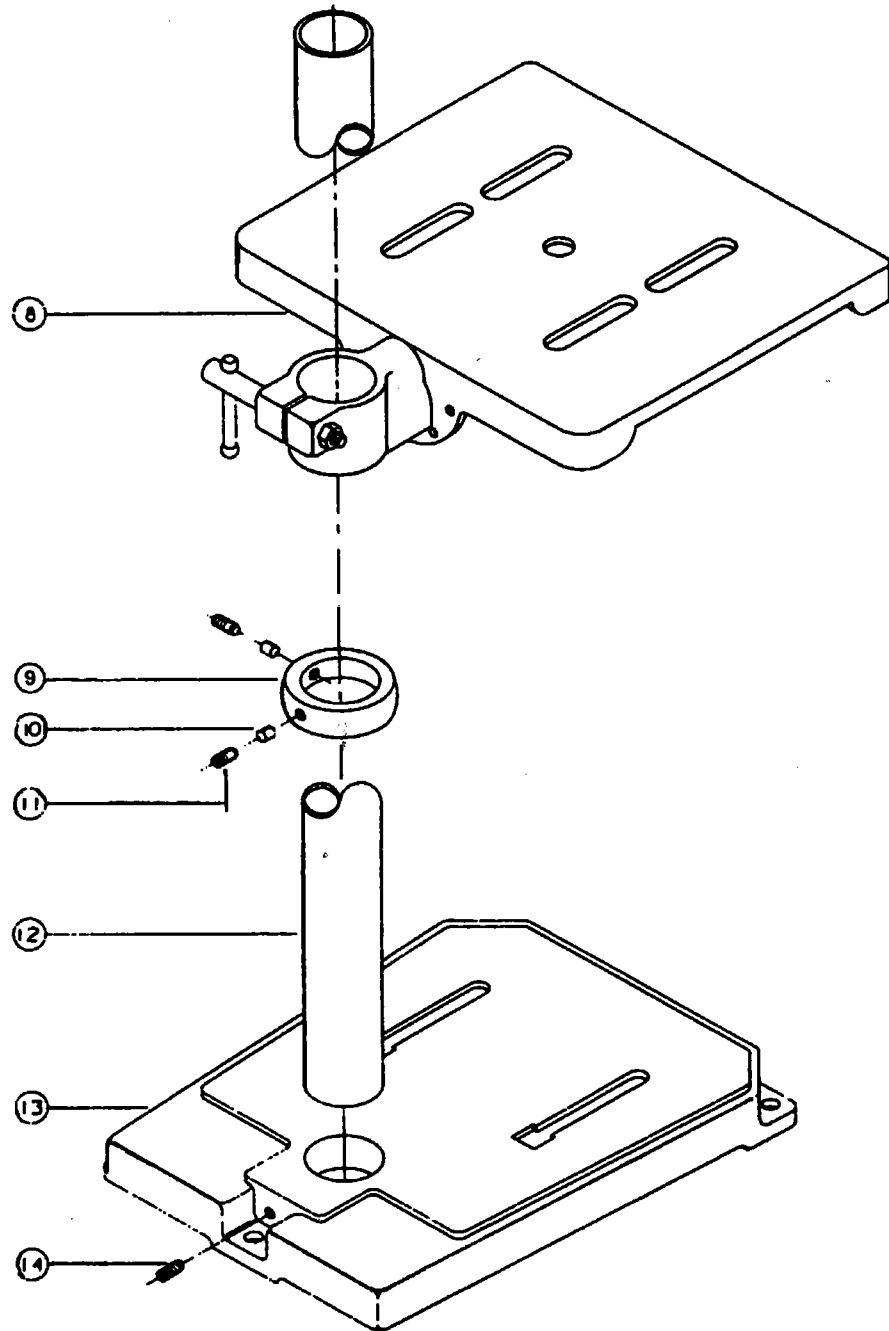
Production Table & Base Assembly (1150A & 1150HD)



PARTS LIST: Tilting Table Assembly (1150A & 1150HD)

No.	Part No.	Description	Quantity
18	2797008	Tilting Table Assembly	1
9	3096008	Safety Collar	1
10	3598023	Brass Protector Set Screw Plug, 7/16 X 3/16	2
11	6718055	Cup Pt. Socket Set Screw, 1/2-13 X 1/2	2
12	3098209	Drill Press Column	1
13	3042121	Drill Press Base	1
14	6718056	Cup Pt. Socket Set Screw, 1/2-13 X 3/4	1

Tilting Table Assembly (1150A & 1150HD)



PARTS LIST: Head Raising Assembly (Optional - 1150A & 1150HD)

No.	Part No.	Description	Quantity
	2277104	Head Raising Assembly (Items 1 thru 26).....	1
	2298034	Gear Elevating Housing Assembly (Items 1 thru 19)	1
	2695009	Lockscrew Assembly (Items 1 thru 3)	1
1	3695010	Lock Screw	1
2	3268002	Handle	1
3	3406016	Handle Knob	1
	2268013	Head Raising Handle Assembly (Items 4 thru 6).....	1
4	6624006	Flat Head Pin, No. 3	1
5	3268201	Nylon Machine Handle	1
6	3268005	Table Elevating Handle	1
7	6670008	Retaining Ring	1
8	3838009	Bevel Washer	1
9	2729004	Head Raising Sleeve Assembly	1
10	6064001	Thrust Bearing	1
11	6716099	Half Dog Point Socket Set Screw, 3/8-16 X 5/8	1
12	6716003	Knurl Cup Point Socket Set, 3/8-16 X 3/8	2
13	6626040	Spring Pin, 1/4 X 1-1/4	1
14	3237332	Worm Gear	1
15	3298237	Gearbox Housing	1
16	6670018	Retaining Ring	2
17	3709020	Gear Shaft	1
18	2240072	Head Raising Gear Assembly	1
19	3737023	Gear Spacer	1
20	3650004	Head Raising Rack	1
21	6626033	Rack Mounting Spring Pin 3/16 X 2	1
22	6715118	Half Dog Point Socket Set Screw, 5/16-18 X 3/4	2
23	6515007	Hex Jam Nut, 5/16-18	2
24	3078026	Thrust Bearing Collar Cap	1
25	6054002	Steel Ball, 3/8" dia	41
26	3096042	Thrust Bearing Collar	1
27	6718055	Cup Point Socket Set Screw, 1/2-13 X 1/2	3
28	3598023	Brass Set Screw Protector Plug, 7/16 X 3/16	3
29	3096008	Safety Collar	1
30	3098209	Drill Press Column (Floor Model).....	1
31	3098208	Drill Press Column (Bench Model).....	1
32	3277028	Drill Press Head	1

Head Raising Assembly (Optional - 1150A & 1150HD)

