

Rotary Hammer - 3 611 J00 R10 - 11536 VSR

www.powertools-aftersaleservice.com



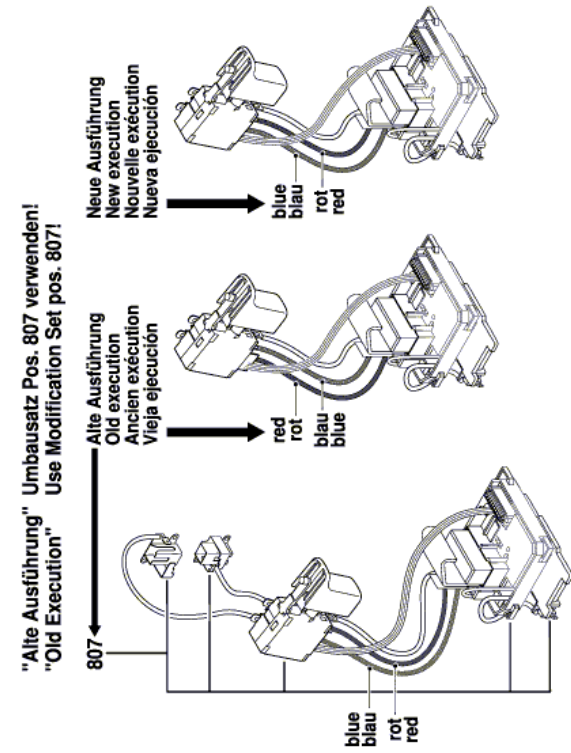
BOSCH

Item	Part Number	Description	Illustration	Price	Quantity	Price Group
2	2 610 942 109	Pole housing 14;4-24V	1	-,-	1	30
9	1 611 110 Y53	Manufacturer's nameplate	1	-,-	1	15
10	1 611 110 Y54	Manufacturer's nameplate	1	-,-	1	15
11	1 611 110 Y45	Reference Plate	1	-,-	1	16
12	1 611 110 Y75	Manufacturer's nameplate	1	-,-	1	15
13	2 600 905 052	groove ball bearing 8x22x7	1	-,-	1	20
17	1 614 652 006	Spiral Spring	1	-,-	1	16
18	2 603 100 056	Damping rubber	1	-,-	1	11
24	1 617 000 6EJ	Toothed Shaft	1	-,-	1	36
26	1 617 000 557	Hammer Piston	1	-,-	1	36
26/27	1 610 311 018	Striker	1	-,-	1	28
26/29	1 613 105 012	Piston Pin	1	-,-	1	15
26/56	1 610 210 187	O-Ring	1	-,-	1	12
26/71	1 610 101 011	Shim washer 1,2 MM THICK	1	-,-	2	11
30	1 615 819 028	Drive bearing	1	-,-	1	35
30/35	1 610 202 024	Plain bearing	1	-,-	1	17
31	1 610 913 016	Needle-Roller Assembly	1	-,-	1	15
32	1 612 026 037	Clamp Handle BLACK	1	-,-	1	24
32/46	1 614 690 002	Driver Pin	1	-,-	1	11
32/49	1 612 026 035	Switch Button RED	1	-,-	1	11
32/76	1 610 210 046	O-Ring 10,5x2,7 MM	1	-,-	1	11
32/83	1 614 611 006	Compression Spring	1	-,-	1	15
36	1 611 016 003	Holding Plate	1	-,-	1	12
44	1 610 508 047	Protective Cap	1	-,-	1	12
45	1 601 010 058	Insulating Plate	1	-,-	2	18
47	1 613 100 030	Needle Roller	1	-,-	4	14
55	1 610 290 226	Seal Ring 53,0x7,0 MM	1	-,-	1	15
57	1 610 210 068	O-Ring 24,0x2,5 MM	1	-,-	1	11
64/1	1 610 190 060	Supporting Disc	1	-,-	1	12
66	1 610 202 021	Plain bearing	1	-,-	1	13
70	1 903 230 013	Ball DIN 5401-Ø7MM-III-ST	1	-,-	1	11
74	1 614 601 027	Retaining ring	1	-,-	1	10
75	1 610 101 629	Retaining Washer	1	-,-	1	10

Item	Part Number	Description	Illustration	Price	Quantity	Price Group
	76 1 603 430 00A	Thread-forming tap. Screw	1	-,-	4	10
	77 1 610 290 043	Locating Ring	1	-,-	1	12
	79 1 613 435 023	Thread-forming tap. Screw	1	-,-	2	10
	80 1 610 290 084	Locating Ring	1	-,-	1	19
	84 1 613 231 017	Switch Slide	1	-,-	1	11
	87 2 916 540 012	Retaining ring DIN 7993-A22	1	-,-	1	13
	106 1 614 611 022	Plain bearing	1	-,-	1	13
	189 1 614 610 015	Compression Spring	1	-,-	1	16
	190 2 603 490 017	Torx Oval-Head Screw 3x10	1	-,-	2	10
	191 2 603 490 023	Torx Oval-Head Screw 4x20	1	-,-	10	10
	106/105 1 614 611 021	Compression Spring	1	-,-	1	11
	321/22 1 616 312 004	Cylindrical Gear	1	-,-	1	24
	321/28 1 613 124 081	Striker Pin	1	-,-	1	21
	321/33 1 610 590 014	Holding Jacket	1	-,-	1	12
	321/34 1 610 190 067	Supporting Disc	1	-,-	1	12
	321/37 1 613 100 019	Straight Pin DIN6325-2,5x12-RIKO	1	-,-	3	11
	321/38 1 600 A00 8AG	Catch Disk	1	-,-	1	15
	321/42 1 610 102 073	Thrust Ring	1	-,-	1	16
	321/46 1 610 390 051	Guide Bushing	1	-,-	1	19
	321/50 1 614 611 020	Compression Spring	1	-,-	1	14
	321/58 1 610 210 178	O-Ring	1	-,-	1	11
	321/59 1 610 283 035	Rotary shaft lip seal	1	-,-	1	18
	321/60 1 610 210 176	O-Ring 9,0x3,5 MM	1	-,-	1	10
	321/62 1 610 210 179	O-Ring	1	-,-	1	11
	321/72 1 604 601 027	Retaining ring	1	-,-	1	10
	321/82 1 614 601 034	Retaining ring	1	-,-	1	12
	321/83 1 604 601 028	Retaining ring A22 DIN 7993	1	-,-	1	10
	650 1 602 025 08X	Auxiliary Handle	2	-,-	1	28
	650/120 1 602 025 07H	Auxiliary Handle	2	-,-	1	23
	650/124 1 611 316 021	Clamping Band Ø50 MM	2	-,-	1	14
	650/125 1 613 490 002	T-Head Bolt M8x40 MM	2	-,-	1	14
	650/802 1 617 000 475	Support clamp	2	-,-	1	22
	651 1 613 001 009	Depth-Gauge SW 6x210 MM	2	-,-	1	15
	653 2 607 336 175	Slide-In Accu Package	2	-,-	1	55
	654 2 607 225 905	Fast Charger USA/CND GAL 3680 CV 120/14,4-36V	2	-,-	1	47
	801 1 617 000 A4W	Motor Housing	1	-,-	1	33
	803 1 617 000 473	Armature With Fan	1	-,-	1	46
	804 1 617 000 890	Electronics Module	1	-,-	1	46
	805 1 609 280 425	Contact retainer	1	-,-	1	27
	806 1 617 000 889	On-Off Switch	1	-,-	1	36
	806/1 1 600 A00 175	On-Off Switch	1	-,-	1	37
	807 1 607 233 209	Electronics Module	1	-,-	1	48
	808 1 601 11A 3H9	Nameplate	1	-,-	1	13
	816 1 617 014 142	Carbon-Brush Set	1	-,-	1	23
	820 1 617 000 883	Intermediate Flange	1	-,-	1	34
	821 1 617 000 564	Pipe	1	-,-	1	41
	823 1 617 000 884	Toothed Shaft	1	-,-	1	37
	825 1 617 000 598	Tool Holding Fixture	1	-,-	1	41
	840 1 617 000 V55	Gear Housing BLACK	1	-,-	1	34
	840/48 1 611 098 008	Tab Washer	1	-,-	1	12
	840/63 1 610 910 063	Needle bearing Ø30xØ37x12 MM	1	-,-	1	18
	840/68 1 610 283 036	Rotary shaft lip seal	1	-,-	1	20
	840/78 2 603 490 022	Screw 4x16	1	-,-	1	10

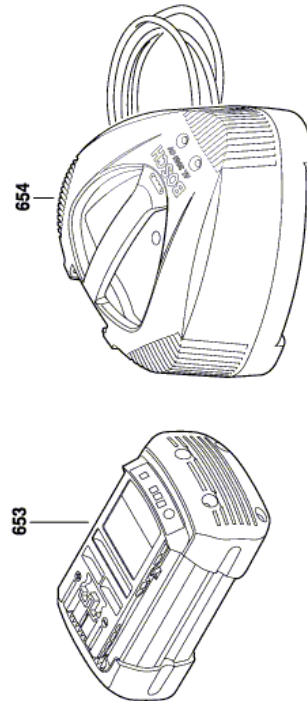
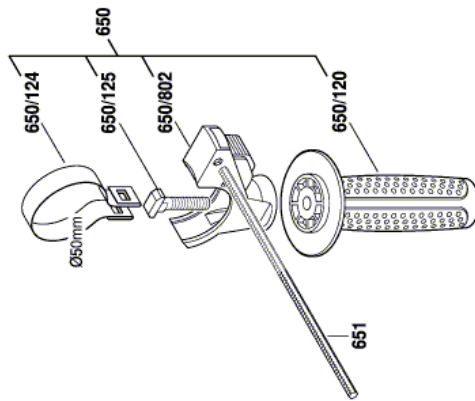
Item	Part Number	Description	Illustration	Price	Quantity	Price Group
843	1 617 000 582	Protection Sleeve	1	-,-	1	24
861	1 615 820 097	Switching Element	1	-,-	1	15
864	1 617 000 A07	Supporting Disc	1	-,-	1	23
883	1 604 601 028	Retaining ring A22 DIN 7993	1	-,-	1	10

Illustration - Type E



Modifications reserved
Änderungen vorbehalten
Modifications réservées
Salvo modificaciones

3 611 J00 R10
Issue } 13-04-17
Stand } **Fig./Abb. 2**



Information subject to change without further notice.