



# SERVICE PARTS LIST

**BUL. 54-08-2201**

**1/2" ELECTRIC DRILL**

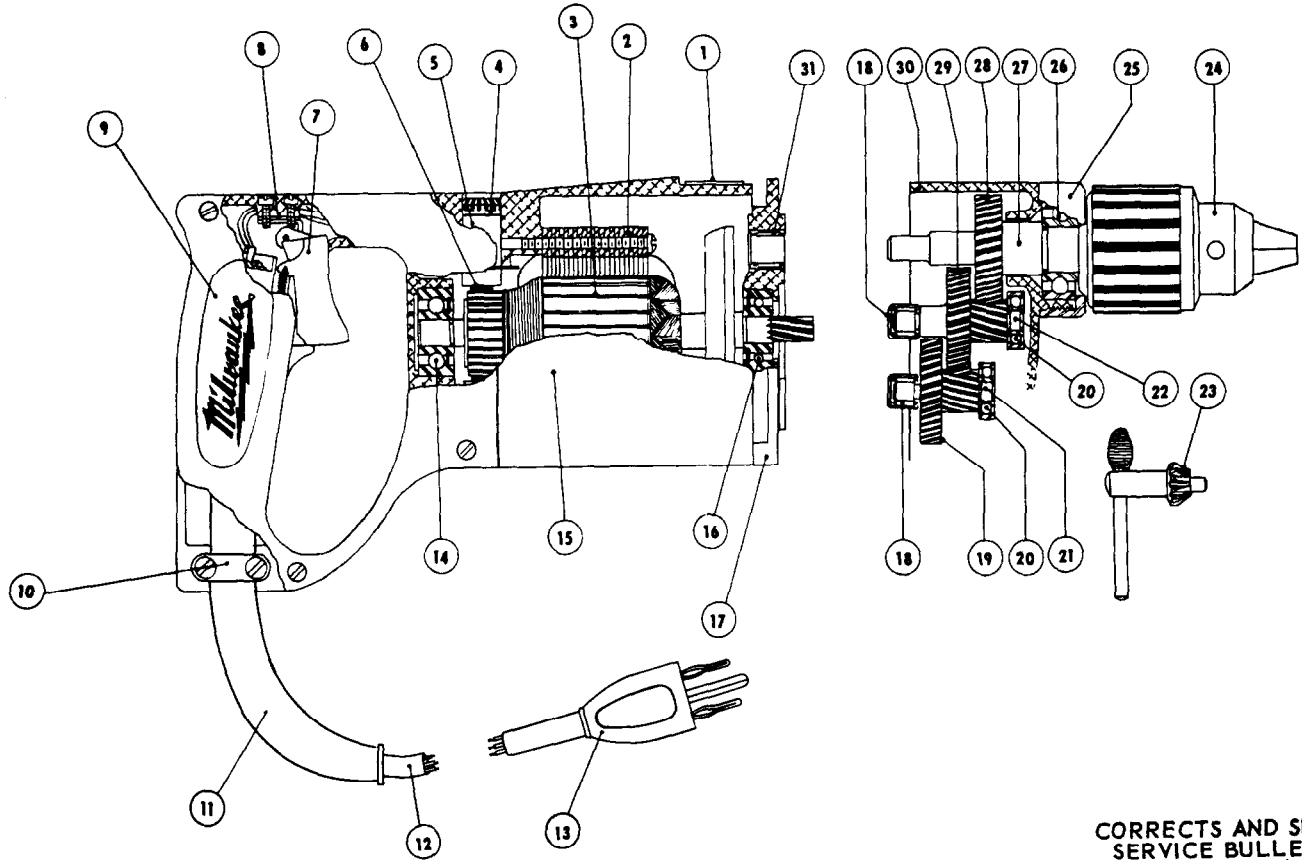
REVISED BUL. 654-2 DATE FEB. '68

**Catalog No. 1200**

Starting Serial No. **54-2201**

WIRING INSTR.

Both Model and Serial No. must be furnished to obtain correct parts.



**CORRECTS AND SUPERCEDES SERVICE BULLETIN 654-2 DATED 4/28/58**

FIG.	PART NO.	DESCRIPTION OF PART
1	12-98-0800	Name Plate
2	18-42-1040	Field Assembly
3	16-42-1210	Armature Assembly
4	23-44-0060	Brush Retaining Screw
5	22-22-0080	Brush Holder Assembly
6	22-18-0100	Carbon Brush Assemblies
7	23-66-0230	Switch
8	45-36-0110	Switch Spacer
9	28-20-3141	Handle Cover
10	28-17-0400	Cord Clamp Strap
12	22-64-0170	Cord Set
14	02-04-0970	Ball Bearing (Comm. End)
15	28-50-4481	Motor Housing
16	02-04-0940	Ball Bearing (Pinion End)

**ILLUSTRATED PARTS**

FIG.	PART NO.	DESCRIPTION OF PART	
17	28-28-0661	Diaphragm	
18	02-50-1640	Needle Bearing (2)	
19	32-40-1241	Intermediate Gear	
(2)	20	02-04-0640	Ball Bearing (2)
(2)	21	36-66-2801	Intermediate Pinion Shaft (2)
(2)	22	36-66-2401	Intermediate Pinion Shaft (2)
23	48-66-3280	Chuck Key	
24	48-66-1280	Chuck (1/2"-20 Thread 3-Jaw)	
25	42-52-0071	Bearing Cap	
26	02-04-1560	Spindle Ball Bearing	
27	38-50-3601	Spindle	
28	32-75-1861	Spindle Gear	
29	32-75-2041	Spindle Gear	
30	28-14-0961	Gear Case	
31	02-50-2110	Needle Bearing	

**MISCELLANEOUS PARTS NOT SHOWN**

PART NO.	DESCRIPTION OF PART	PART NO.	DESCRIPTION OF PART	
43-62-0161	Handle	06-81-6100	8-32x7/16" Fil. Hd. Sems Cord Clamp Strap Scs. (2)	
44-90-0130	Handle Ring	06-81-8625	6-32x1/4" Rd. Hd. Sems Ground Screw (Brass)	
06-42-0800	Woodruff Keys	(3)	06-81-6350	8-32x1" Fil. Hd. Gear Case Screws (Sem)
06-81-8400	4-40x1/4" Rd. Hd. Name Plate Screws (Sem)	(2)	06-81-6650	8-32x1-3/4" Fil. Hd. Gear Case Screws (Sem) (2)
06-81-5800	6-32x5/16" Fil. Hd. Sems Switch Mounting Scs (2)	(2)	06-81-6600	8-32x1-3/4" Fil. Hd. Field Screws (Sem) (2)
23-86-0110	Brush Holder Insul. Washer	(2)	06-83-2650	1/4-20x3/8" Hd'less Brush Holder Set Scs. (2)
23-16-0085	Switch Insulator		06-81-3700	8-32x7/8" Oval Hd. Handle Cover Screws (4)
48-03-0010	Attachment Plug Adaptor			

Numbers in brackets indicate number required.