



SERVICE PARTS LIST

BULLETIN NO.
54-08-2071

SPECIFY CATALOG NO. AND SERIAL NO. WHEN ORDERING PARTS		REVISED BULLETIN 54-08-2070	DATE Mar. '95
1/2" REVERSING DRILL		WIRING INSTRUCTION 58-01-0214	
CATALOG NO.	1201-1	STARTING SERIAL NO.	495A

EXAMPLE:
Component Parts (Small #)
Are Included When Ordering
The Assembly (Large #).



FOR SERIAL NUMBERS:
495A394510000 TO 495A395070127
USE SERVICE PARTS LIST ON
REVERSE SIDE OF THIS BULLETIN

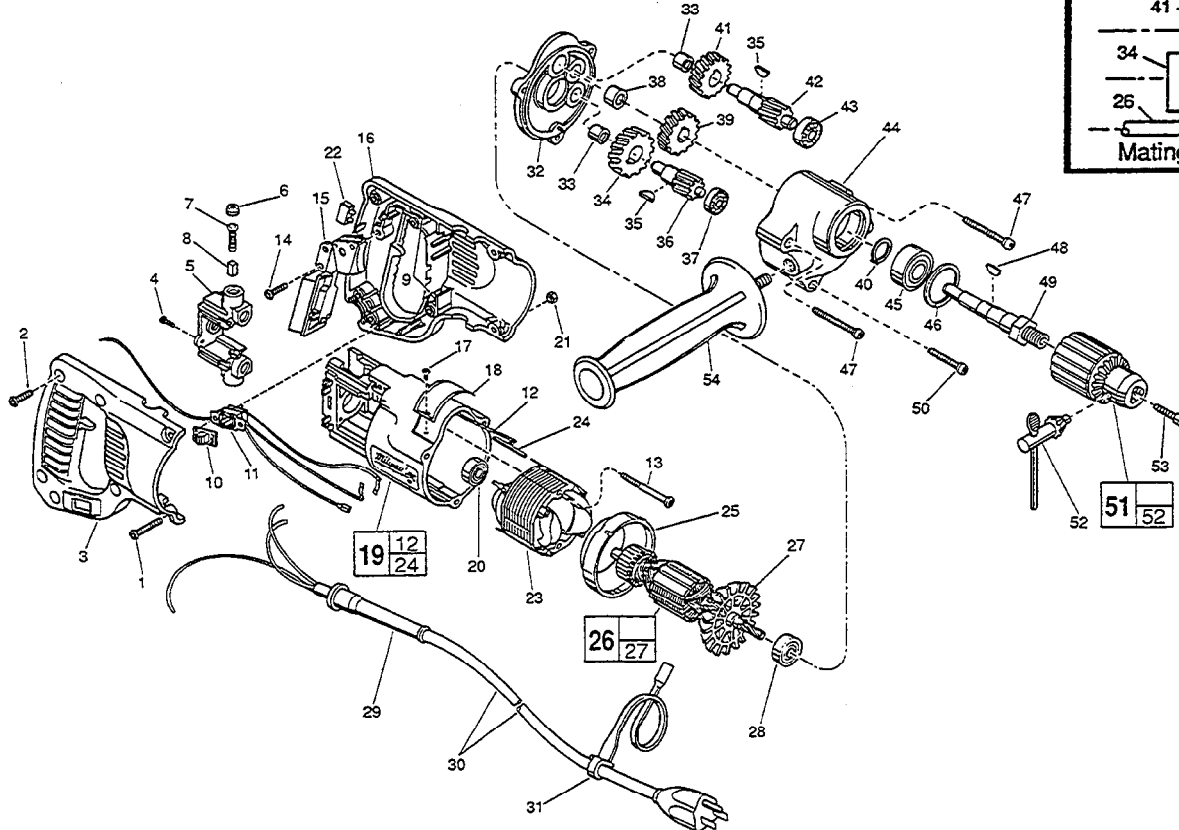
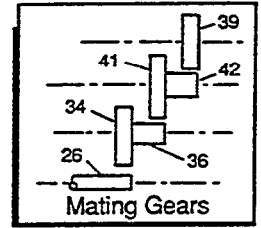


FIG.	PART NO.	DESCRIPTION OF PART	NO. REQ.
	1	06-82-5390 8-32x1-1/4" Taprite T-20	(2)
	2	06-82-7270 8-16 x 5/8" Pan Hd. Plastite T-20	(5)
	3	31-44-1651 Right Handle Half	(1)
	4	06-82-7240 6-19 x 1/2" Pan Hd. Plast. T-15	(2)
	5	22-22-1380 Brush Holder Assembly	(1)
	6	23-44-0190 Brush Retaining Cap	(2)
	7	23-52-0160 Brush Spring	(2)
	8	22-16-0275 Carbon Brush	(2)
	9	14-46-1001 Foam Pad Kit (10 Slugs)	(2)
	10	31-12-0196 Switch Cap	(1)
	11	23-66-1869 Switch Assembly	(1)
	12	23-94-6100 Ground Wire Assembly	(1)
	13	06-82-7410 8-16 x 1-7/8" Pan Hd. Slit Plastite T-20	(2)
	14	06-82-7270 8-16 x 5/8" Pan Hd. Plastite T-20	(1)
	15	23-66-0167 On-Off Switch	(1)
	16	31-44-1656 Left Handle Half	(1)
★	17	06-72-1720 Nameplate Rivet	(2)
★	18	12-99-1750 Service Nameplate	(1)
	19	31-50-0846 Motor Housing Assembly	(1)
	20	02-04-0845 Ball Bearing	(1)
	21	06-55-0835 8-32 Hex Nut	(1)
	22	22-56-0456 Terminal Block	(1)
	23	18-31-0200 120 V. Field	(1)
	24	44-60-0530 Ground Pin	(1)
	25	31-05-0050 Baffle	(1)
	26	16-30-0325 120 V. Armature	(1)
	27	22-84-0531 Fan Assembly	(1)
	28	02-04-0911 Ball Bearing	(1)
	29	44-76-0210 Cord Protector	(1)
	30	22-64-3190 Cord Set	(1)
	31	48-66-4040 Key Holder	(1)

FIG.	PART NO.	DESCRIPTION OF PART	NO. REQ.
	32	28-28-0611 Diaphragm	(1)
	33	02-50-1640 Needle Bearing	(2)
	34	32-40-1241 Intermediate Gear	(1)
	35	06-42-0800 Woodruff Key	(2)
	36	36-66-2801 Intermediate Shaft	(1)
	37	02-04-0640 Ball Bearing	(1)
	38	02-50-2440 Needle Bearing	(1)
	39	32-75-2641 Spindle Gear	(1)
	40	34-60-1200 Retaining Ring	(1)
	41	32-75-2041 Spindle Gear	(1)
	42	36-66-3960 Intermediate Shaft	(1)
	43	02-04-0820 Ball Bearing	(1)
	44	28-14-1920 Gear Case	(1)
	45	02-04-1536 Ball Bearing	(1)
	46	34-80-2500 Retaining Ring	(1)
	47	06-82-7453 8-16 x 2-1/4" Pan Hd. Plastite T-20	(2)
	48	06-42-1600 Woodruff Key	(1)
	49	38-50-5470 Spindle	(1)
	50	06-82-7354 8-16 x 1-3/8" Pan Hd. Plastite T-20	(1)
	51	48-66-1360 1/2" Chuck	(1)
	52	48-66-3280 Chuck Key	(1)
	53	06-75-3150 1/4-20 x 1 L.H. Skt. Hd. Cap Screw	(1)
	54	43-62-0875 Side Handle	(1)

LUBRICATION:

44 3-1/4 Oz. Type "A" Grease, No. 49-08-0800.

MILWAUKEE ELECTRIC TOOL CORPORATION
13135 W. LISBON RD., BROOKFIELD, WI 53005



SERVICE PARTS LIST

BULLETIN NO.

SPECIFY CATALOG NO. AND SERIAL NO. WHEN ORDERING PARTS		REVISED BULLETIN	DATE
1/2" REVERSING DRILL			
CATALOG NO.	1201-1	WIRING INSTRUCTION 58-01-0224	
EXAMPLE:	STARTING SERIAL NO.		

00/0

Component Parts (Small #)
Are Included When Ordering
The Assembly (Large #).

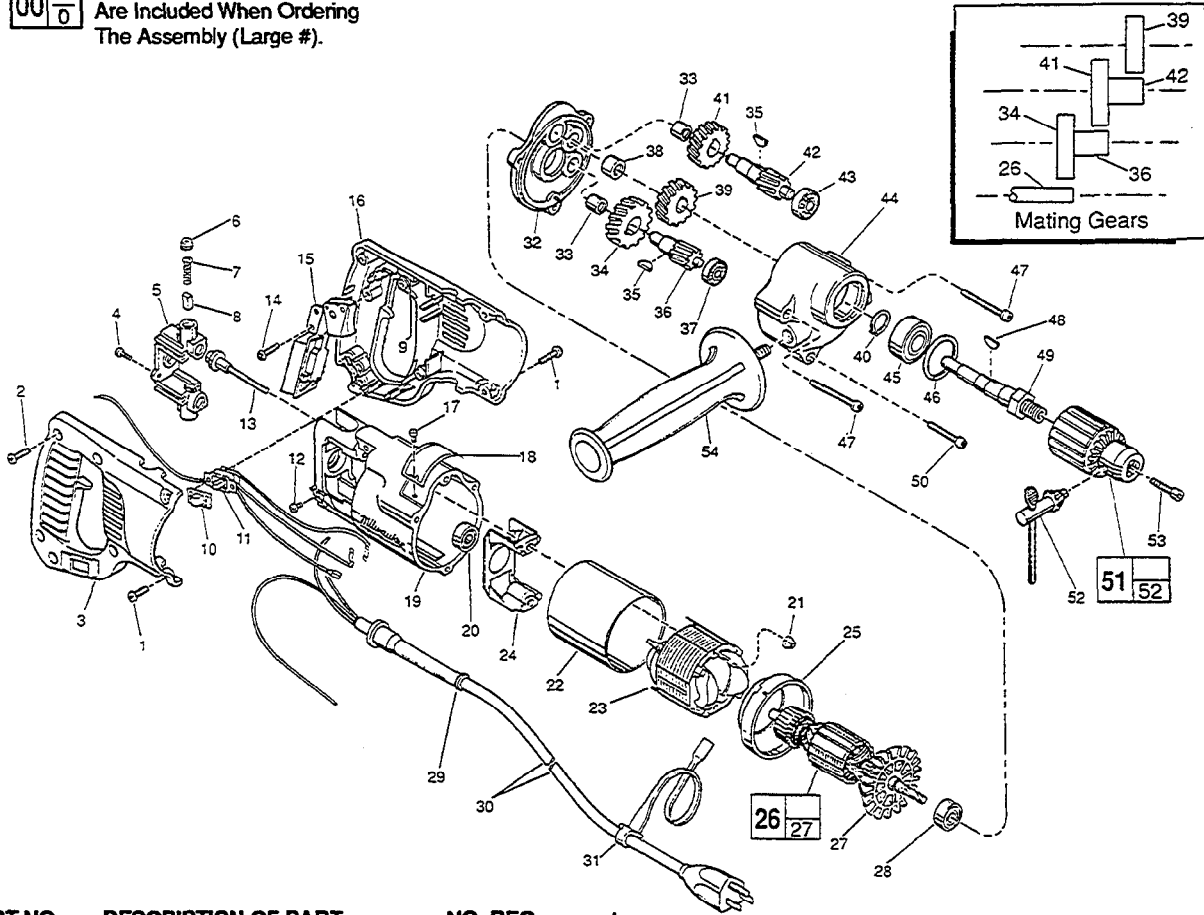


FIG.	PART NO.	DESCRIPTION OF PART	NO. REQ.
★ 1	06-82-5316	8-32 x 1/2" Pan Hd. Stl. Taprite T-20	(4)
2	06-82-7270	8-16 x 5/8" Pan Hd. Plastite T-20	(5)
3	31-44-1651	Right Handle Half	(1)
★ 4	06-95-0075	6-32 x 3/8" Truss Hd. Taprite T-10	(2)
5	22-22-1380	Brush Holder Assembly	(1)
6	23-44-0190	Brush Retaining Cap	(2)
7	23-52-0160	Brush Spring	(2)
8	22-16-0275	Carbon Brush	(2)
★ 9	14-46-1001	Foam Pad Kit (10 Slugs)	(1)
10	31-12-0196	Switch Cap	(1)
11	23-66-1869	Switch Assembly	(1)
★ 12	06-95-5150	6-32 x 1/4" Hex Hd. Tapt. Sems	(1)
★ 13	06-81-1060	8-32 x 2-1/4" Field Bolt	(2)
14	06-82-7270	8-16 x 5/8" Pan Hd. Plastite T-20	(1)
15	23-66-0167	On-Off Switch	(1)
16	31-44-1656	Left Handle Half	(1)
17	06-72-1720	Nameplate Rivet	(2)
18	12-99-1750	Service Nameplate	(1)
★ 19	28-50-6220	Motor Housing	(1)
20	02-04-0845	Ball Bearing	(1)
★ 21	06-57-2975	8-32 Flexlock Hex Nut	(1)
★ 22	23-16-0456	Field Insulator	(1)
23	18-31-0200	120 V. Field	(1)
★ 24	31-55-0190	Coil Shield	(1)
25	31-05-0050	Baffle	(1)
26	16-30-0325	120 V. Armature	(1)
27	22-84-0531	Fan Assembly	(1)
28	02-04-0911	Ball Bearing	(1)
29	44-76-0210	Cord Protector	(1)
30	22-64-3190	Cord Set	(1)
31	48-66-4040	Key Holder	(1)

FIG.	PART NO.	DESCRIPTION OF PART	NO. REQ.
32	28-28-0611	Diaphragm	(1)
33	02-50-1640	Needle Bearing	(2)
34	32-40-1241	Intermediate Gear	(1)
35	06-42-0800	Woodruff Key	(2)
36	36-66-2801	Intermediate Shaft	(1)
37	02-04-0640	Ball Bearing	(1)
38	02-50-2440	Needle Bearing	(1)
39	32-75-2641	Spindle Gear	(1)
40	34-60-1200	Retaining Ring	(1)
41	32-75-2041	Spindle Gear	(1)
42	36-66-3960	Intermediate Shaft	(1)
43	02-04-0820	Ball Bearing	(1)
44	28-14-1920	Gear Case	(1)
45	02-04-1536	Ball Bearing	(1)
46	34-80-2500	Retaining Ring	(1)
★ 47	06-82-5502	8-32 x 2-1/4" Pan Hd. Taprite T-20	(2)
48	06-42-1600	Woodruff Key	(1)
49	38-50-5470	Spindle	(1)
★ 50	06-82-5404	8-32 x 1-3/8" Pan Hd. Taprite T-20	(1)
51	48-66-1360	1/2" Chuck	(1)
52	48-66-3280	Chuck Key	(1)
53	06-75-3150	1/4-20 x 1" L.H. Skt. Hd. Cap Screw	(1)
54	43-62-0875	Side Handle	(1)

LUBRICATION:
44 3-1/4 Oz. Type "A" Grease, No. 49-08-0800.

MILWAUKEE ELECTRIC TOOL CORPORATION
13135 W. LISBON RD., BROOKFIELD, WI 53005