



SERVICE PARTS LIST

BULLETIN NO.
54-08-1090

SPECIFY CATALOG NO. AND SERIAL NO. WHEN ORDERING PARTS		REVISED BULLETIN 54-08-1089	DATE Dec. '94
1/2" REVERSING DRILL			
CATALOG NO.	1250-1	STARTING SERIAL NO.	459C
		WIRING INSTRUCTION 58-01-0773	

EXAMPLE:
Component Parts (Small #)
Are Included When Ordering
The Assembly (Large #).

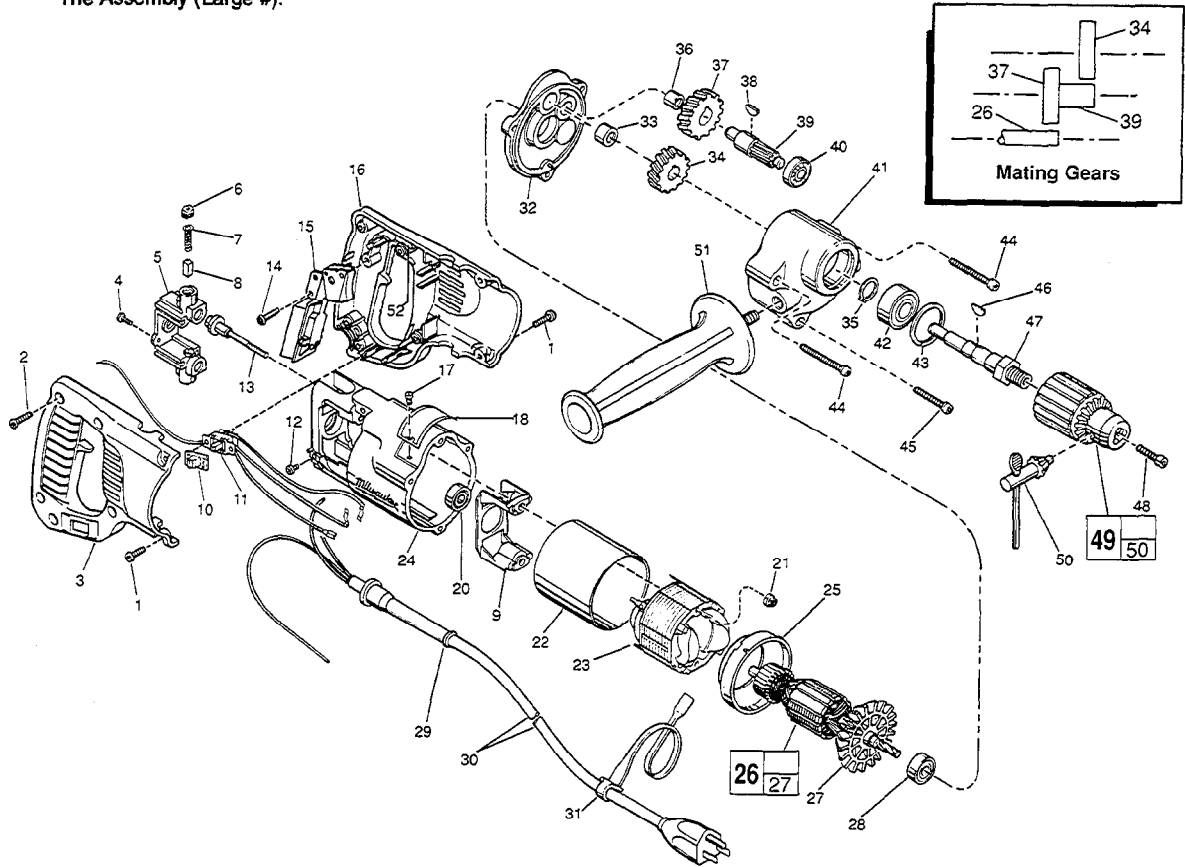


FIG.	PART NO.	DESCRIPTION OF PART	NO. REQ.
★	1	8-32 x 1/2" Pan Hd. Stt. Taptite T-20	(4)
	2	8-16 x 5/8" Pan Hd. Plastite T-20	(5)
	3	Right Handle Half	(1)
★	4	6-32 x 3/8" Truss Hd. Taptite T-10	(2)
	5	Brush Holder Assembly	(1)
	6	Brush Retaining Cap	(2)
	7	Brush Spring	(2)
	8	Carbon Brush	(2)
★	9	Coil Shield	(1)
	10	Switch Cap	(1)
	11	Switch Assembly	(1)
★	12	6-32 x 1/4" Hex Hd. Taptite Sems	(1)
★	13	8-32 x 2-1/4" Field Bolt	(2)
	14	8-16 x 5/8" Pan Hd. Plastite T-20	(1)
	15	On-Off Switch	(1)
	16	Left Handle Half	(1)
	17	Nameplate Rivet	(2)
	18	Service Nameplate	(1)
	20	Ball Bearing	(1)
★	21	8-32 Flexlock Hex Nut	(2)
★	22	Field Insulator	(1)
	23	120 V. Field	(1)
★	24	Motor Housing	(1)
	25	Baffle	(1)
	26	120 V. Armature	(1)
	27	Fan Assembly	(1)
	28	Ball Bearing	(1)
	29	Cord Protector	(1)

FIG.	PART NO.	DESCRIPTION OF PART	NO. REQ.
	30	22-64-3190 Cord Set	(1)
	31	48-66-4040 Key Holder	(1)
	32	28-28-0601 Diaphragm	(1)
	33	02-50-2440 Needle Bearing	(1)
	34	32-75-2001 Spindle Gear	(1)
	35	34-60-1200 Retaining Ring	(1)
	36	02-50-1640 Needle Bearing	(1)
	37	32-40-1241 Intermediate Gear	(1)
	38	06-42-0800 Woodruff Key	(1)
	39	36-66-2701 Intermediate Shaft	(1)
	40	02-04-0640 Ball Bearing	(1)
	41	28-14-1910 Gear Case	(1)
	42	02-04-1536 Ball Bearing	(1)
	43	34-80-2500 Retaining Ring	(1)
★	44	06-82-5502 8-32 x 2-1/4" Pan Hd. Taptite T-20	(2)
★	45	06-82-5404 8-32 x 1-3/8" Pan Hd. Taptite T-20	(1)
	46	06-42-1600 Woodruff Key	(1)
	47	38-50-5470 Spindle	(1)
	48	06-75-3150 1/4-20 x 1 L.H. Skt. Cap Screw	(1)
	49	48-66-1360 1/2" Chuck	(1)
	50	48-66-3280 Chuck Key	(1)
	51	43-62-0875 Side Handle	(1)
★	52	14-46-1001 Foam Slug Kit (10 Slugs)	(1)

LUBRICATION:

41 3-1/4 Oz. Type "A" Grease, No. 49-08-0800.

MILWAUKEE ELECTRIC TOOL CORPORATION
13135 W. LISBON RD., BROOKFIELD, WI 53005