



# SERVICE PARTS LIST

**BULLETIN NO.**  
54-08-1091

SPECIFY CATALOG NO. AND SERIAL NO. WHEN ORDERING PARTS		REVISED BULLETIN 54-08-1090	DATE Jan. 2013
<b>1/2" REVERSING DRILL</b>			
CATALOG NO. <b>1250-1</b>	STARTING SERIAL NO. <b>459D</b>	WIRING INSTRUCTION <b>58-01-0773</b>	

**EXAMPLE:**  
Component Parts (Small #) Are Included  
When Ordering The Assembly (Large #).

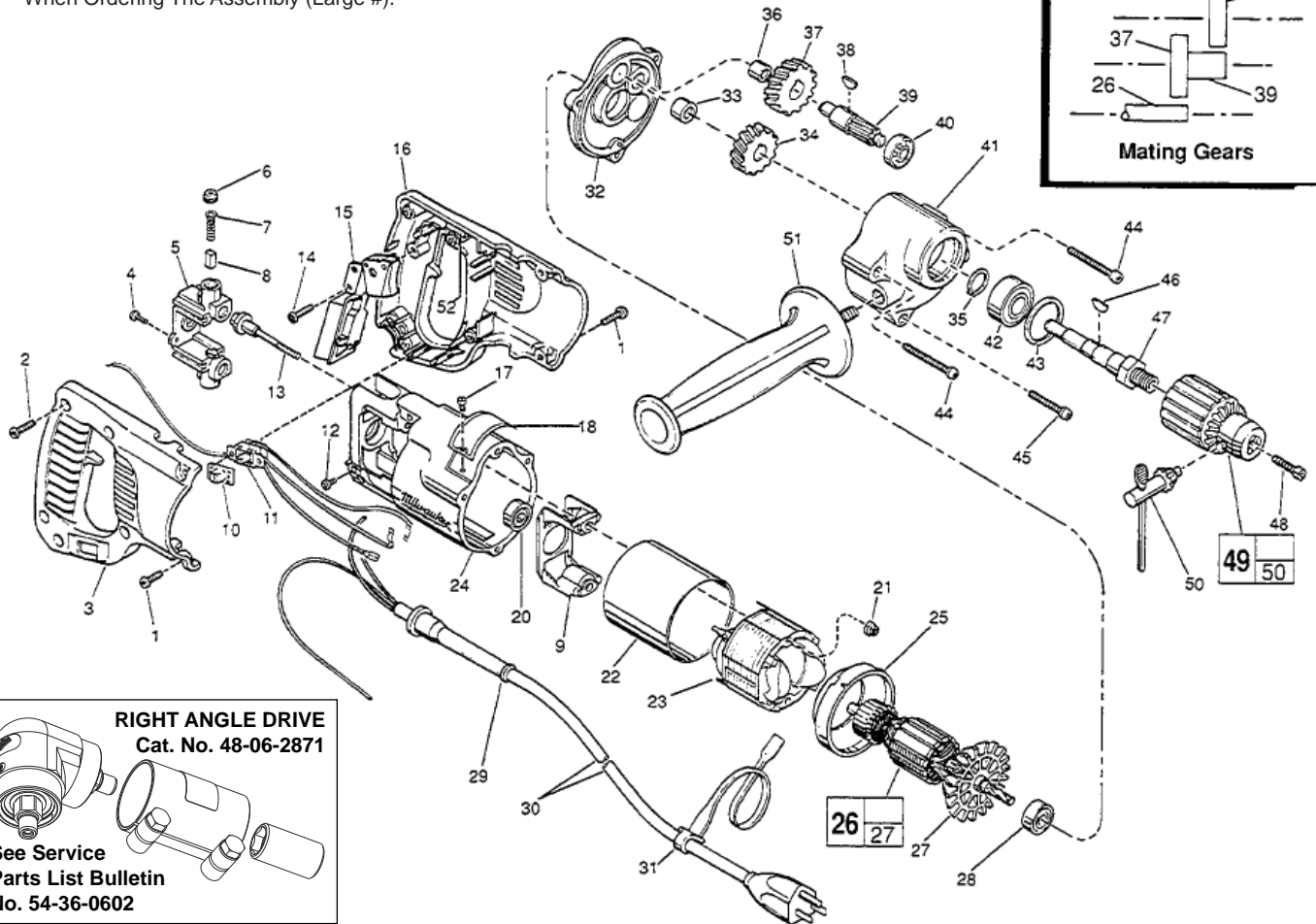


FIG.	PART NO.	DESCRIPTION OF PART	NO. REQ.
1	06-82-5316	8-32 x 1/2" Pan Hd. Slit. Taptite T-20	(4)
2	06-82-7270	8-16 x 5/8" Pan Hd. Plastite T-20	(5)
3	31-44-1651	Right Handle Half	(1)
4	06-95-0075	6-32 x 3/8" Truss Hd. Taptite T-10	(2)
5	22-22-1380	Brush Holder Assembly	(1)
6	23-44-0190	Brush Retaining Cap	(2)
7	23-52-0160	Brush Spring	(2)
8	22-16-0275	Carbon Brush	(2)
9	31-55-0190	Coil Shield	(1)
10	31-12-0196	Switch Cap	(1)
11	23-66-1868	Switch Assembly	(1)
12	06-95-5150	6-32 x 1/4" Hex Hd. Taptite Sems	(1)
13	06-81-1060	8-32 x 2-1/4" Field Bolt	(2)
14	06-82-7270	8-16 x 5/8" Pan Hd. Plastite T-20	(1)
15	23-66-0167	On-Off Switch	(1)
16	31-44-1656	Left Handle Half	(1)
17	06-72-1720	Nameplate Rivet	(2)
18	12-99-1750	Service Nameplate	(1)
20	02-04-0845	Ball Bearing	(1)
21	06-57-2975	8-32 Flexlock Hex Nut	(2)
22	23-16-0456	Field Insulator	(1)
23	18-31-0100	120 V. Field	(1)
24	28-50-6220	Motor Housing	(1)
25	31-05-0050	Baffle	(1)
★26	16-30-0226	120 V. Armature	(1)
27	22-84-0531	Fan Assembly	(1)
28	02-04-0911	Ball Bearing	(1)
29	44-76-0210	Cord Protector	(1)
30	22-64-3190	Cord Set	(1)

FIG.	PART NO.	DESCRIPTION OF PART	NO. REQ.
31	48-66-4040	Key Holder	(1)
32	28-28-0601	Diaphragm	(1)
33	02-50-2440	Needle Bearing	(1)
★34	32-75-2011	Spindle Gear	(1)
35	34-60-1200	Retaining Ring	(1)
36	02-50-1640	Needle Bearing	(1)
★37	32-40-1251	Intermediate Gear	(1)
38	06-42-0800	Woodruff Key	(1)
★39	36-66-2711	Intermediate Shaft	(1)
★40	02-04-0725	Ball Bearing	(1)
★41	28-14-1921	Gear Case	(1)
42	02-04-1536	Ball Bearing	(1)
43	34-80-2500	Retaining Ring	(1)
★44	06-82-5532	8-32 x 2-1/2" Pan Hd. Taptite T-20	(2)
★45	06-82-5432	8-32 x 1-5/8" Pan Hd. Taptite T-20	(1)
★46	06-42-2000	Woodruff Key	(1)
★47	38-50-5475	Spindle	(1)
48	06-75-3150	1/4-20 x 1 L.H. Skt. Cap Screw	(1)
49	48-66-1360	1/2" Chuck	(1)
50	48-66-3280	Chuck Key	(1)
51	43-62-0875	Side Handle	(1)
52	14-46-1001	Foam Slug Kit (10 Slugs)	(1)

**LUBRICATION:**  
★41 3-3/4 Oz. Type "A" Grease, No. 49-08-0800.

**MILWAUKEE ELECTRIC TOOL CORPORATION**  
13135 W. LISBON RD., BROOKFIELD, WI 53005  
Drwg. 1