

Random orbital sander - 0 601 250 774 - 1250DEVS

www.powertools-aftersaleservice.com

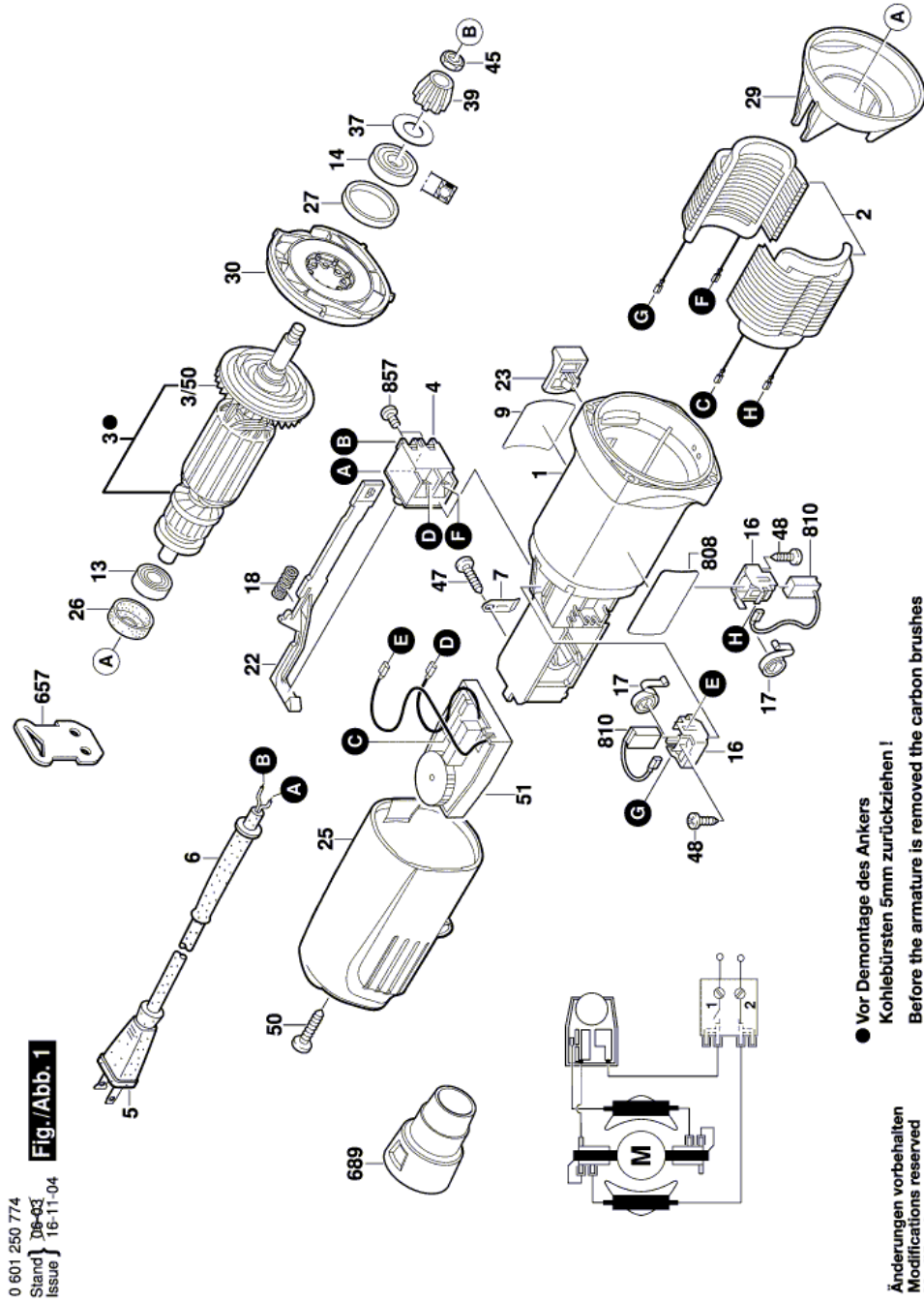


BOSCH

Item	Part Number	Description	Illustration	Price	Quantity	Price Group
1	1 619 P09 772	Motor Housing	1	-,-	1	25
2	1 604 220 329	Field 100-120V	1	-,-	1	28
3	1 604 010 627	Armature 100-120V	1	-,-	1	32
3/50	1 606 610 141	Fan	1	-,-	1	17
4	1 607 200 146	Switch	1	-,-	1	22
5	1 604 460 276	Power supply cord USA/CDN 4,15m 2 x 082mm SJ 18/2	1	-,-	1	28
6	2 600 703 013	Grommet Ø7,6-Ø8,2x95 MM	1	-,-	1	13
7	1 601 302 017	Fastening Clamp	1	-,-	1	10
9	2 601 116 512	Manufacturer's nameplate	1	-,-	1	15
13	2 600 905 032	Ball Bearing 7x19x6	1	-,-	1	17
14	1 619 P11 240	groove ball bearing	1	-,-	1	14
16	1 619 P01 811	Brush Holder	1	-,-	2	14
17	1 604 652 013	Spiral Spring	1	-,-	2	11
18	1 604 611 031	Compression Spring	1	-,-	1	13
21	2 605 806 438	Gear Housing	2	-,-	1	32
22	1 602 319 009	Adjusting Slide	1	-,-	1	13
23	1 602 026 068	Switch Handle BLACK	1	-,-	1	13
25	2 605 500 167	Housing Cover	1	-,-	1	22
26	1 600 502 024	Intermediate Ring	1	-,-	1	12
27	1 600 206 025	Rubber Ring	1	-,-	1	12
29	1 600 591 023	Air-Deflector Ring	1	-,-	1	13
30	2 601 328 071	Air-Deflector Ring	1	-,-	1	13
37	1 600 100 033	Cover Disc	1	-,-	1	13
39	2 609 110 149	Pinion	1	-,-	1	16
41	2 600 917 003	Needle-Roller Bearing Ø8x8 MM	2	-,-	1	14
45	2 915 011 007	Hex Nut DIN 934-M6-8-A	1	-,-	1	10
47	2 609 110 052	Special Screw	1	-,-	1	10
48	1 619 P00 220	Torx Oval-Head Screw 3x10	1	-,-	2	10
50	2 910 611 020	Tapping Screw DIN 7981-ST3,9x19-C-H	1	-,-	1	11
51	1 607 233 168	Speed governor	1	-,-	1	36
55	2 910 611 022	Tapping Screw DIN 7981-ST3,9x25-C-H	2	-,-	4	10
110	2 601 119 008	Reference Plate	2	-,-	1	15
111	3 600 210 136	O-Ring 42,0x1,0 MM	2	-,-	1	-

Item	Part Number	Description	Illustration	Price	Quantity	Price Group
112	1 600 136 016	Shim 0,1 MM THICK	2	-,-	1	13
112	1 600 136 017	Shim 0,2 MM THICK	2	-,-	1	13
114	2 601 990 030	Changeover Lever	2	-,-	1	20
115	2 604 601 089	Compression Spring	2	-,-	1	10
124	2 600 206 019	Friction Ring	2	-,-	1	17
125	2 608 601 106	Backing Pad Ø150	2	-,-	1	34
127	2 910 130 240	Hex Socket Head Cap Screw DIN 7984-M8x18-8.8	2	-,-	1	11
128	2 601 015 087	Seal	2	-,-	1	30
129	2 603 435 042	Thread-forming tap. Screw	2	-,-	5	11
130	2 603 435 083	Thread-forming tap. Screw	2	-,-	4	10
131	2 601 328 072	Suction Tube	2	-,-	1	28
133	2 910 141 203	Hex Socket Head Cap Screw DIN 912-M6x25-8.8	2	-,-	1	11
135	2 604 421 013	Torx Flat-Head Screw	2	-,-	1	12
136	2 600 015 008	Seal Ring	2	-,-	1	13
137	3 600 210 101	O-Ring 5,0x1,0 MM	2	-,-	1	11
140	2 603 102 010	Crank Rod	2	-,-	1	24
142	2 608 012 010	Counterweight	2	-,-	1	21
143	2 602 026 115	Control Lever RED	2	-,-	1	18
146	2 916 650 026	Spring retaining ring	2	-,-	1	16
655/1	2 602 025 067	Auxiliary Handle M10, Ø32,5x105 MM	2	-,-	1	15
655/2	2 610 364 015	Hexagon Socket Screw Key 5 MM	2	-,-	1	15
657	3 602 311 050	Key Holder	1	-,-	1	12
658	2 610 907 746	Adapter	2	-,-	1	20
689	1 600 A00 B8V	Adapter	1	-,-	1	20
808	3 601 119 429	Nameplate	1	-,-	1	13
810	1 607 014 144	Carbon-Brush Set	1	-,-	1	22
819	2 606 316 902	Pinion	2	-,-	2	43
821	2 606 319 903	Toothed Belt Wheel	2	-,-	1	47
832	3 607 031 724	Assembly Of Service Parts	2	-,-	1	19
838	2 605 806 890	Gear Housing	2	-,-	1	47
840	2 603 102 012	Crank Rod	2	-,-	1	26
844	2 602 026 106	Cap-Handle	2	-,-	1	28
857	2 910 641 081	Oval-Head Screw DIN7985-M3,5x5-4.8-H	1	-,-	2	10

Illustration - Type E



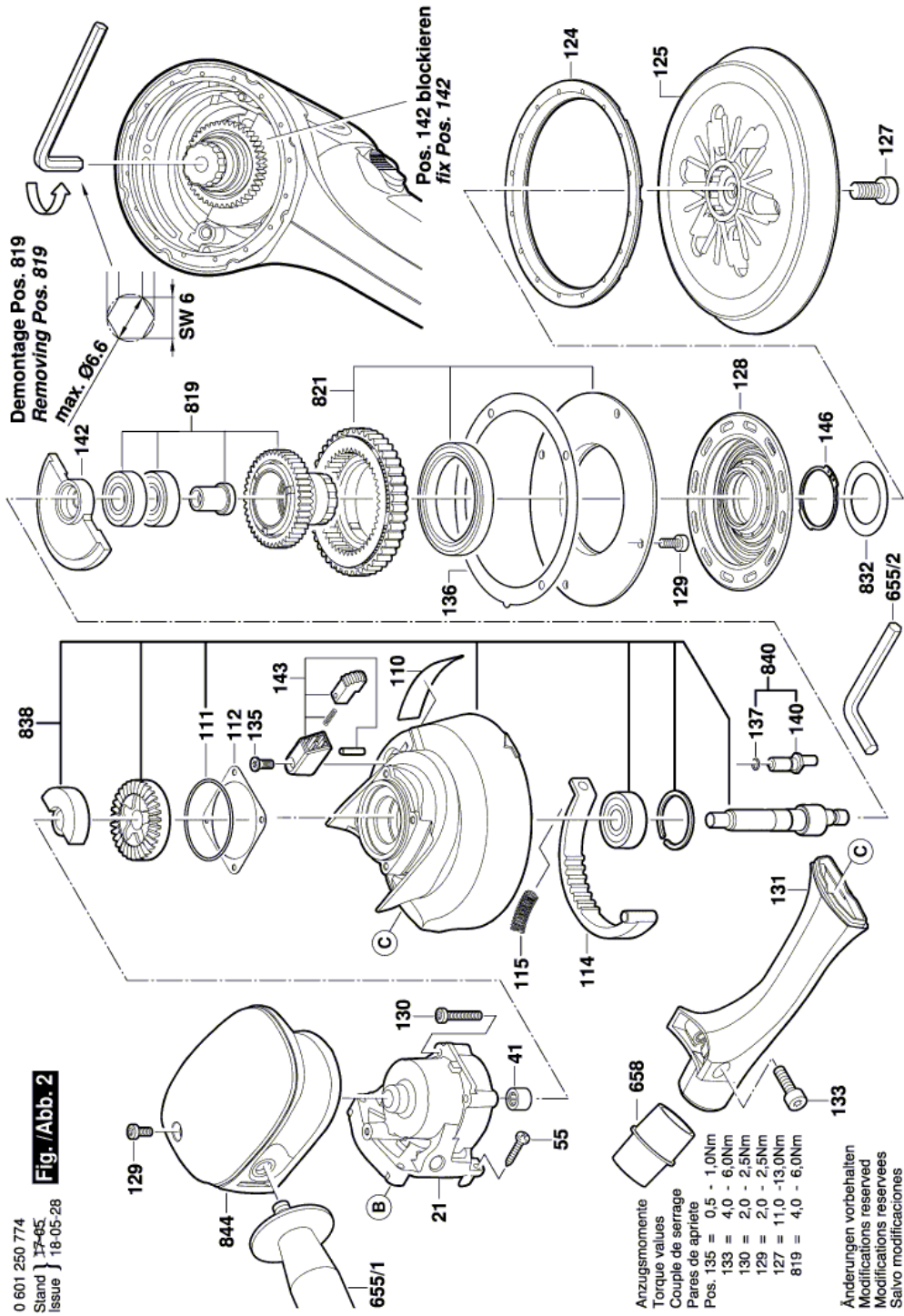
0 601 250 774
 Stand } 06-03
 Issue } 16-11-04

Fig./Abb. 1

● Vor Demontage des Ankers
 Kohlebürsten 5mm zurückziehen!
 Before the armature is removed the carbon brushes
 must be withdrawn by at least 5mm!

Änderungen vorbehalten
 Modifications reserved
 Modifications reserves
 Salvo modificaciones

Illustration - Type E



Information subject to change without further notice.