

Orbital Sander - 0 601 293 039 - 1293 D

www.powertools-aftersaleservice.com



BOSCH

Item	Part Number	Description	Illustration	Price	Quantity	Price Group
1	2 605 104 538	Motor Housing BLUE	1	-,-	1	27
2	2 604 220 528	Field 115V	1	-,-	1	32
3	2 604 011 109	Armature 115V	1	-,-	1	36
3/13	2 600 905 051	groove ball bearing 7x19x6	1	-,-	1	21
3/60	2 606 610 076	Fan	1	-,-	1	15
4	2 607 200 260	Switch	1	-,-	1	23
5	2 604 460 185	Power supply cord USA/CDN 2,15m 2 x 082mm SJ 18/2	1	-,-	1	24
6	2 600 703 018	Grommet Ø7,3-Ø8,6x76 MM	N/A	-,-	1	13
7	2 601 035 001	Cable Clip	1	-,-	1	11
9	2 610 994 076	Manufacturer's nameplate	1	-,-	1	15
14	1 619 P00 290	groove ball bearing	1	-,-	1	19
16	2 604 337 016	Brush Holder	1	-,-	2	11
18	2 603 410 001	Socket head cap screw M3x6,5-4.8	1	-,-	2	11
19	2 603 490 022	Screw 4x16	1	-,-	14	10
21	2 603 490 017	Torx Oval-Head Screw 3x10	1	-,-	4	10
25	2 916 640 006	Spring retaining ring DIN 471 9x1MM	1	-,-	1	11
26	2 606 610 086	Fan	1	-,-	1	21
28	2 600 499 042	Eccentric	1	-,-	1	29
29	2 603 410 048	Thread-forming tap. Screw M4x8	1	-,-	6	11
32	2 601 329 053	Contact Strap	1	-,-	1	11
34	2 608 045 023	Tensioning Lever	1	-,-	2	21
35	2 600 290 030	V-Ring	1	-,-	1	14
36	2 605 500 125	Housing Cover BLUE	1	-,-	1	23
37	2 915 121 006	Square Nut DIN 562-M6-04	1	-,-	1	11
39	2 608 000 236	Sander Plate	1	-,-	1	33
41	2 600 590 013	Sealing disk	1	-,-	1	11
43	2 603 435 042	Thread-forming tap. Screw	1	-,-	10	11
44	2 600 282 018	Suction Hood	1	-,-	1	35
45	2 601 328 055	Air Guide Plate	1	-,-	1	13
46	2 601 328 054	Suction Socket	1	-,-	1	15
47	2 601 005 017	Felt Strip	1	-,-	1	11
48	2 600 034 007	Air-Deflector Ring	1	-,-	1	20
49	2 601 035 002	Pusher	1	-,-	1	12

Item	Part Number	Description	Illustration	Price	Quantity	Price Group
51	1 907 950 006	Offset Screwdriver DIN 911-SW5 BLACK	1	-,-	1	16
52	2 915 051 107	Hex Nut DIN 439-BM8-04	1	-,-	1	11
53	2 603 410 049	Thread-forming tap. Screw M4x12 MM	1	-,-	4	11
55	2 604 448 146	Connecting Cable L=110 MM WHITE	1	-,-	1	11
57	2 604 448 100	Connecting Cable L=68 MM WHITE	1	-,-	2	10
60	2 602 026 069	Auxiliary Handle BLACK	1	-,-	1	17
654	2 605 411 172	Dust Bag	2	-,-	1	28
808	2 610 994 077	Marking Plate	1	-,-	1	13
811	1 607 014 117	Carbon Brush	1	-,-	1	22
833	2 608 005 902	Spring 4 PIECE	1	-,-	1	27
850	2 608 000 928	Swing-Plate	1	-,-	1	35

Illustration - Type E

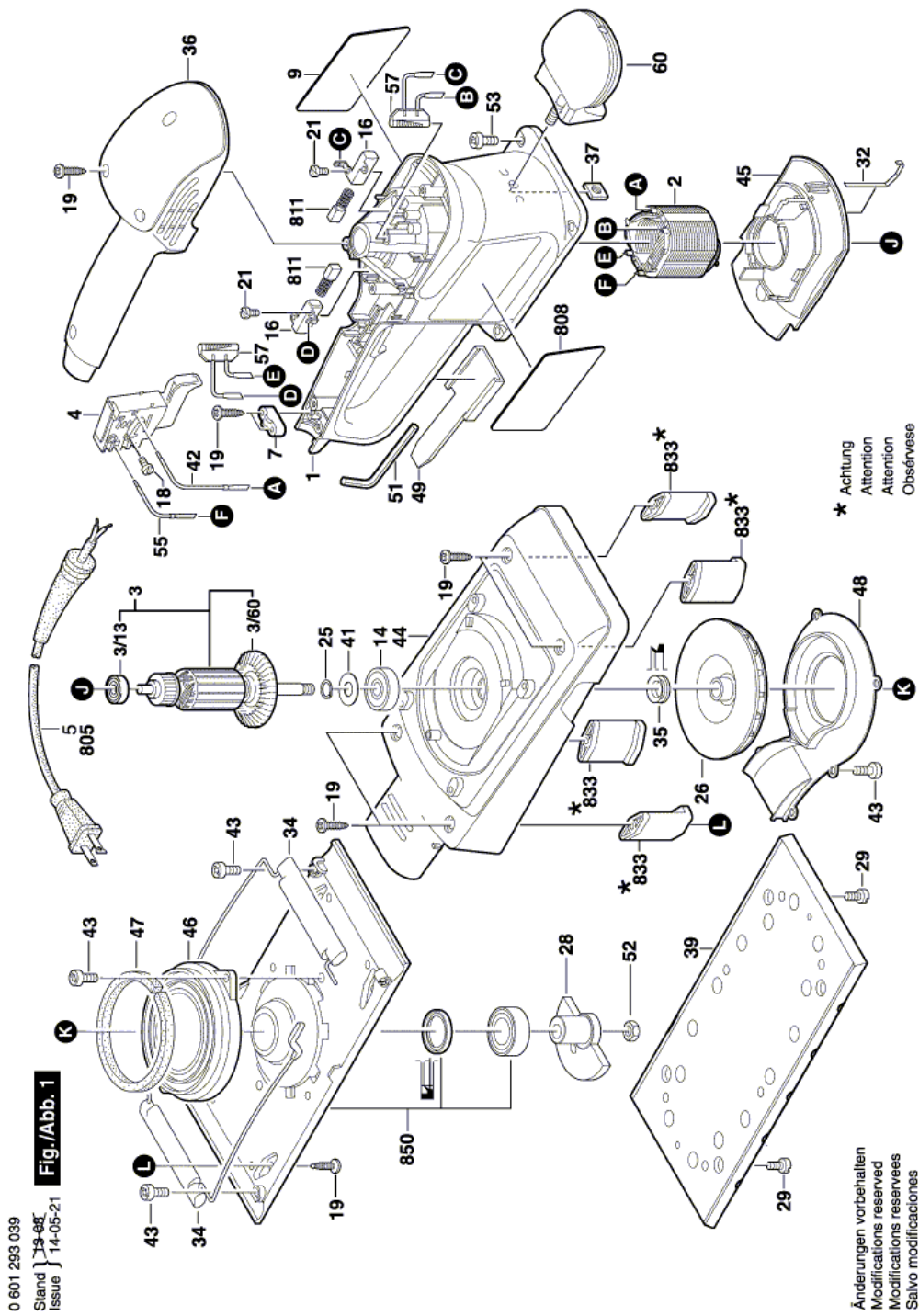


Illustration - Type E

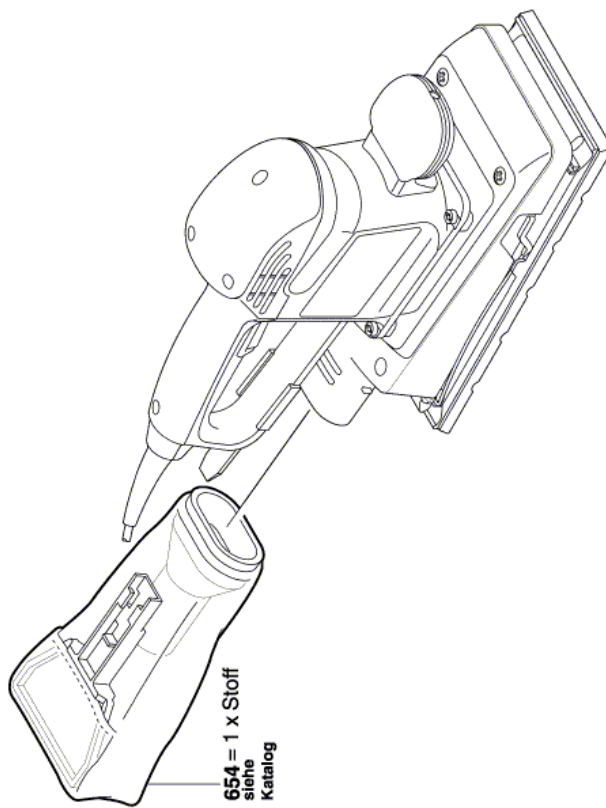
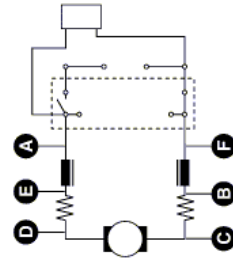


Fig./Abb. 2

0 601 293 039
Stand } 20-07
Issue } 03-02-07

654 = 1 x Stoff
siehe
Katalog



Änderungen vorbehalten
Modifications reserved
Modificacions reserves
Salvo modificaciones

Information subject to change without further notice.