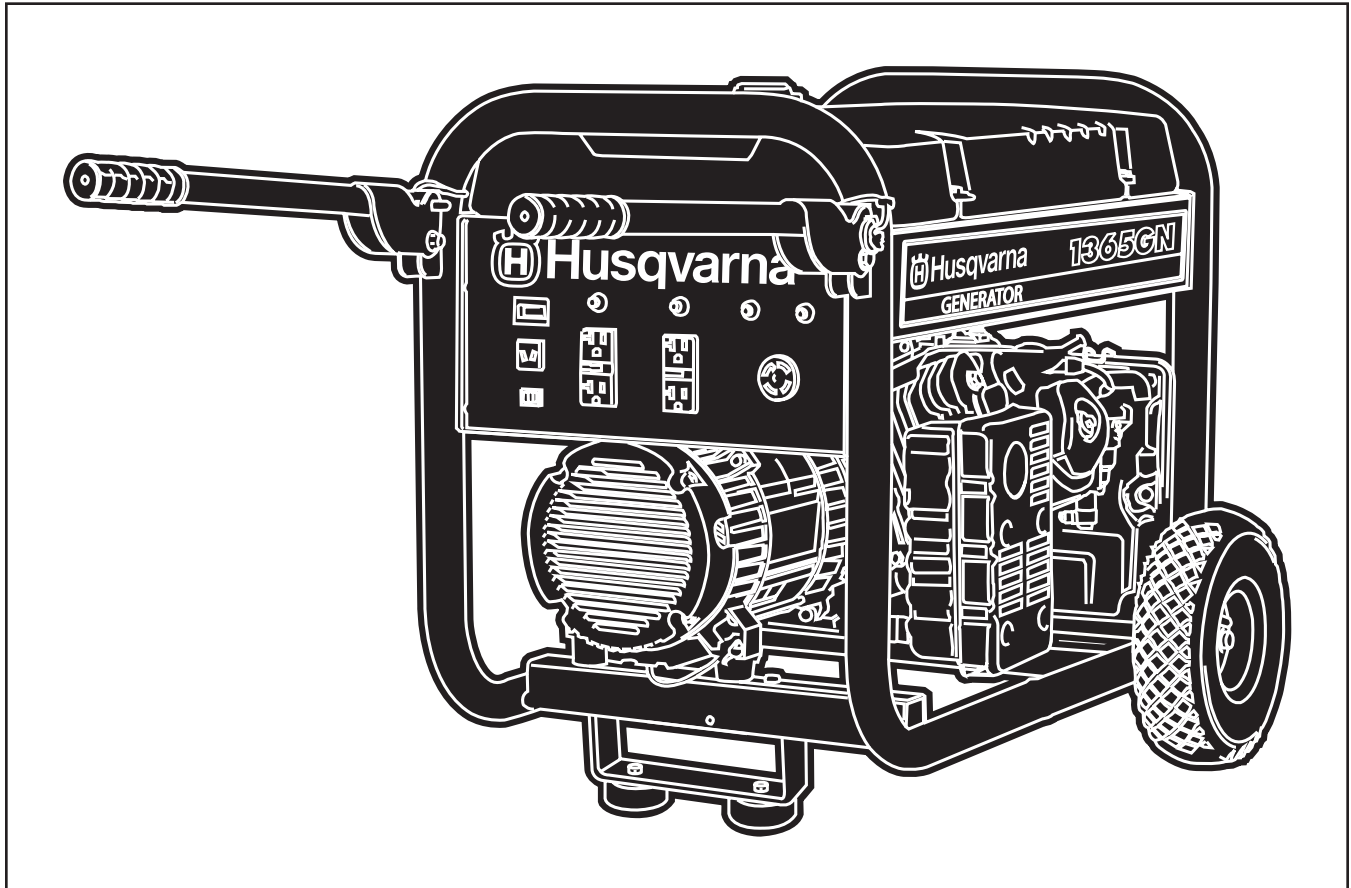


Husqvarna



01935

1365GN

Owner's Manual



Read this manual carefully and become familiar with your generator.
Know the applications, the limitations and any hazards involved.



[193174GS Rev 0a (06/01/04)]

Part Number 531 30 00-69

Safety Rules

TABLE OF CONTENTS

Safety Rules	2-4
Know Your Generator	5
Assembly	6-7
Operation	8-13
Maintenance	14
Storage	15
Notes	16
Troubleshooting	17
Schematic/ Wiring Diagram	18-19
Replacement Parts	20-24
Warranty	25

EQUIPMENT DESCRIPTION



Read this manual carefully and become familiar with your generator. Know the applications, the limitations and any hazards involved.

This generator is an engine-driven, revolving field, alternating current (AC) generator. It was designed to supply electrical power for operating compatible electrical lighting, appliances, tools and motor loads. The generator's revolving field is driven at about 3,600 rpm by a single-cylinder engine.

CAUTION! DO NOT exceed the generator's wattage/ampere capacity. See "Don't Overload Generator" on page 13.

Every effort has been made to ensure that information in this manual is accurate and current. However, we reserve the right to change, alter or otherwise improve the product and this document at any time without prior notice.

The Emission Control System for this generator is warranted for standards set by the Environmental Protection Agency. For warranty information refer to the engine owner's manual.

In the State of California a spark arrester is required by law (Section 4442 of the California Public Resources Code). Other states may have similar laws. Federal laws apply on federal lands. The muffler is equipped with a spark arrester; it must be maintained in effective working order.

Replacement spark arresters may be obtained by calling 1-877-224-0458.

SAFETY RULES



This is the safety alert symbol. It is used to alert you to potential personal injury hazards. Obey all safety messages that follow this symbol to avoid possible injury or death.

The safety alert symbol (▲) is used with a signal word (DANGER, CAUTION, WARNING), a pictorial and/or a safety message to alert you to hazards. **DANGER** indicates a hazard which, if not avoided, **will** result in death or serious injury. **WARNING** indicates a hazard which, if not avoided, **could** result in death or serious injury.

CAUTION indicates a hazard which, if not avoided, **might** result in minor or moderate injury. **CAUTION**, when used **without** the alert symbol, indicates a situation that could result in equipment damage. Follow safety messages to avoid or reduce the risk of injury or death.





WARNING



The engine exhaust from this product contains chemicals known to the State of California to cause cancer, birth defects, or other reproductive harm.



Hazard Symbols and Meanings


Electrocution	Electrical Shock	Electrical Shock
Toxic Fumes	Explosion	Fire
Explosive Pressure	Chemical Burn	Hot Surface




Safety Rules




 DANGER	
	Running generator gives off carbon monoxide, an odorless, colorless, poison gas. Breathing carbon monoxide will cause nausea, fainting or death.
<ul style="list-style-type: none">• Operate generator ONLY outdoors.• Keep at least 2 feet of clearance on all sides of generator for adequate ventilation.• DO NOT operate generator inside any building or enclosure, including the generator compartment of a recreational vehicle (RV).	

 DANGER	
	Failure to properly ground generator can result in electrocution, especially if the generator is equipped with a wheel kit.
<ul style="list-style-type: none">• National Electric Code requires generator to be properly grounded to an approved earth ground. Call an electrician for local grounding requirements.	

 DANGER	
	Generator produces powerful voltage. Failure to isolate generator from power utility can result in death or injury to electric utility workers due to backfeed of electrical energy.
<ul style="list-style-type: none">• When using generator for backup power, notify utility company. Use approved transfer equipment to isolate generator from electric utility.• Use a ground fault circuit interrupter (GFCI) in any damp or highly conductive area, such as metal decking or steel work.• DO NOT touch bare wires or receptacles.• DO NOT use generator with electrical cords which are worn, frayed, bare or otherwise damaged.• DO NOT operate generator in the rain or other forms of precipitation.• DO NOT handle generator or electrical cords while standing in water, while barefoot, or while hands or feet are wet.• DO NOT allow unqualified persons or children to operate or service generator.	



 WARNING	
<ul style="list-style-type: none">• This generator does not meet U. S. Coast Guard Regulation 33CFR-183 and should not be used on marine applications.• Failure to use the appropriate U. S. Coast Guard approved generator could result in bodily injury and/or property damage.	


 DANGER	
	Storage batteries give off explosive hydrogen gas during recharging. Hydrogen gas stays near battery for a long time after battery has been charged. Slightest spark will ignite hydrogen and cause explosion. You can be blinded or severely injured.
	Battery electrolyte fluid contains acid and is extremely caustic. Contact with battery fluid will cause severe chemical burns.
<ul style="list-style-type: none">• DO NOT allow any open flame, spark, heat, or lit cigarette during and for several minutes after charging a battery.• Wear protective goggles, rubber apron, and rubber gloves.	

 WARNING	
	Fuel and its vapors are extremely flammable and explosive.
	Fire or explosion can cause severe burns or death.
WHEN ADDING FUEL: <ul style="list-style-type: none">• Turn generator OFF and let it cool at least 2 minutes before removing gas cap. Loosen cap slowly to relieve pressure in tank.• Fill fuel tank outdoors.• DO NOT overfill tank. Allow space for fuel expansion.• Keep fuel away from sparks, open flames, pilot lights, heat, and other ignition sources.• DO NOT light a cigarette or smoke.	
WHEN OPERATING EQUIPMENT: <ul style="list-style-type: none">• DO NOT tip engine or equipment at angle which causes fuel to spill.• This generator is not for use in mobile equipment or marine applications.	
WHEN TRANSPORTING OR REPAIRING EQUIPMENT: <ul style="list-style-type: none">• Transport/repair with fuel tank EMPTY or with fuel shutoff valve in the OFF position.• Disconnect spark plug wire.	
WHEN STORING FUEL OR EQUIPMENT WITH FUEL IN TANK: <ul style="list-style-type: none">• Store away from furnaces, stoves, water heaters, clothes dryers or other appliances that have pilot light or other ignition source because they can ignite fuel vapors.	

Safety Rules

 WARNING	
	Unintentional sparking can result in fire or electric shock.
	
WHEN ADJUSTING OR MAKING REPAIRS TO YOUR GENERATOR	
<ul style="list-style-type: none">• Disconnect the spark plug wire from the spark plug and place the wire where it cannot contact spark plug.	

 WARNING	
	Running engines produce heat. Temperature of muffler and nearby areas can reach or exceed 150°F (65°C). Severe burns can occur on contact.
<ul style="list-style-type: none">• DO NOT touch hot surfaces.• Allow equipment to cool before touching.	

 CAUTION	
Excessively high operating speeds increase risk of injury and damage to generator. Excessively low speeds impose a heavy load.	
<ul style="list-style-type: none">• DO NOT tamper with governed speed. Generator supplies correct rated frequency and voltage when running at governed speed.• DO NOT modify generator in any way.	

CAUTION
Exceeding generator's wattage/ampere capacity can damage generator and/or electrical devices connected to it.
<ul style="list-style-type: none">• See "Don't Overload Generator" on page 13.• Start generator and let engine stabilize before connecting electrical loads.• Connect electrical loads in OFF position, then turn ON for operation.• Turn electrical loads OFF and disconnect from generator before stopping generator.

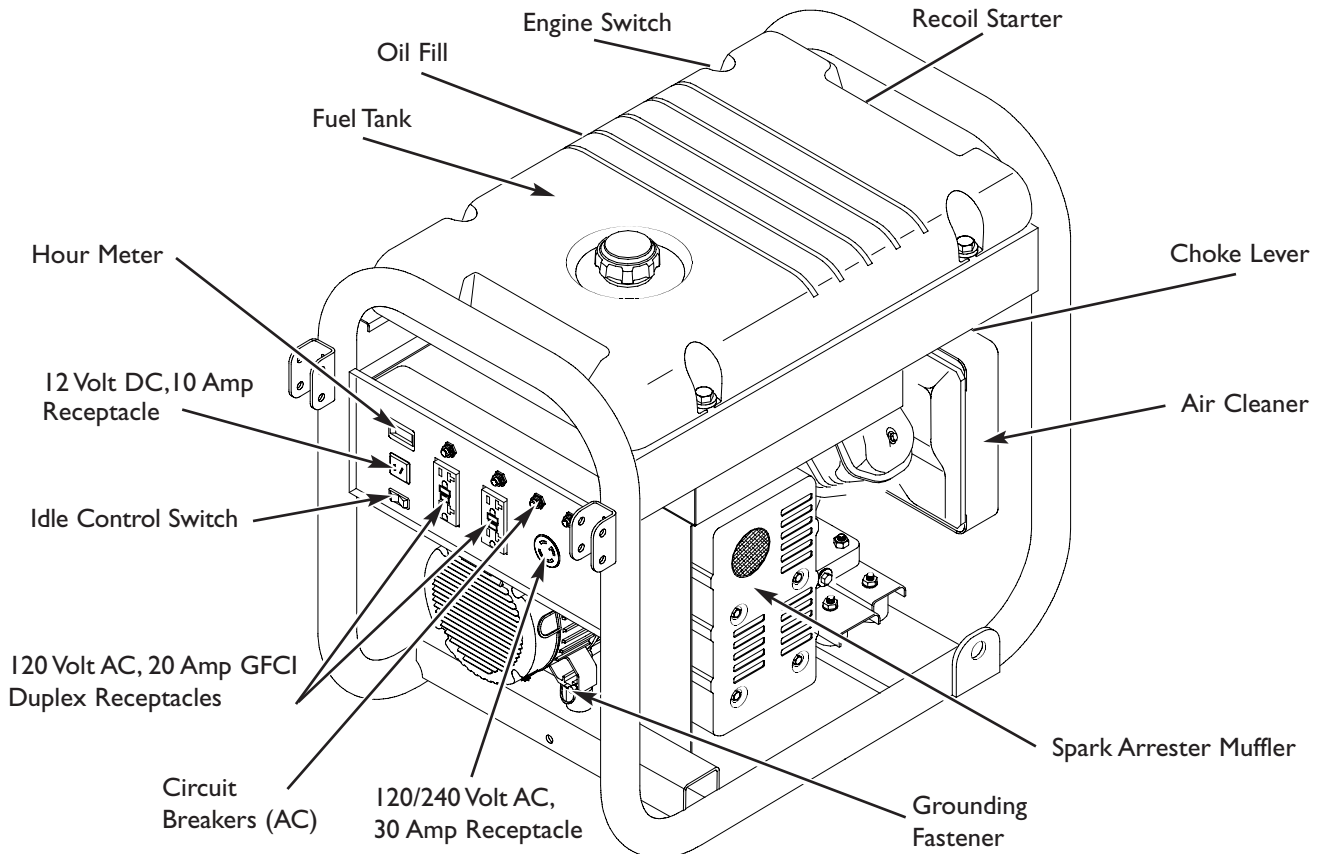
CAUTION
Improper treatment of generator can damage it and shorten its life.
<ul style="list-style-type: none">• Use generator only for intended uses.• If you have questions about intended use, ask your Husqvarna dealer or contact customer service at 1-877-224-0458.• Operate generator only on level surfaces.• DO NOT expose generator to excessive moisture, dust, dirt, or corrosive vapors.• DO NOT insert any objects through cooling slots.• If connected devices overheat, turn them off and disconnect them from generator.• Shut off generator if:<ul style="list-style-type: none">-electrical output is lost;-equipment sparks, smokes, or emits flames;-unit vibrates excessively.

Features and Controls

KNOW YOUR GENERATOR

Read this owner's manual and safety rules before operating your generator.

Compare the illustrations with your generator, to familiarize yourself with the locations of various controls and adjustments. Save this manual for future reference.



12 Volt DC, 10 Amp Receptacle — Recharge a discharged 12 Volt automotive type battery through this receptacle.

120 Volt AC, 20 Amp GFCI Duplex Receptacles — May be used to supply electrical power for the operation of 120 Volt AC, 20 Amp, single phase, 60 Hz electrical, lighting, appliance, tool and motor loads.

120/240 Volt AC, 30 Amp Locking Receptacle — May be used to supply electrical power for the operation of 120 and/or 240 Volt AC, 30 Amp, single phase, 60 Hz electrical, lighting, appliance, tool and motor loads.

Air Cleaner — Uses a dry type filter element to limit the amount of dirt and dust sucked into the engine.

Choke Lever — Used when starting a cold engine.

Circuit Breakers (AC) — Push to reset circuit breakers are provided to protect the generator against electrical overload.

Fuel Tank — Capacity of seven (7) U.S. gallons.

Grounding Fastener — Contact your local electrician for grounding requirements (see page 8).

Hour Meter — Displays and records how many hours your generator has run (up to 9,999.9).

Idle Control Switch — The idle control runs the engine at normal (high) speeds when there is a load present and runs the engine at idle (low) speeds when a load is not present.

Oil Fill — Add engine oil here.

Recoil Starter — Used to start the engine.

Engine Switch — Set this switch to "On" before using recoil starter. Set switch to "Off" to switch off engine.

Spark Arrester Muffler — Exhaust muffler lowers engine noise and is equipped with a spark arrester screen.

Assembly

ASSEMBLY

Your generator requires some assembly and is ready for use after it has been properly serviced with the recommended oil and fuel.

If you have any problems with the assembly of your generator, please call the generator helpline at 1-877-224-0458.

Remove Generator From Carton

1. Set carton on a rigid flat surface with "This Side Up" arrows pointing upward.
2. Carefully open top flaps of shipping carton.
3. Cut down corners at one end of carton from top to bottom and lay that side of carton down flat.
4. Remove all packing material, carton fillers, etc.
5. Remove generator from shipping carton.

Carton Contents

Check all contents. If any parts are missing or damaged, call the generator helpline at **1-877-224-0458**.

- The generator
- Generator and engine owner's manuals
- Locking 30 Amp plug
- Battery charge cables
- Engine oil
- Wheel kit

Install Wheel Kit

The wheel kit is designed to greatly improve the portability of your generator.

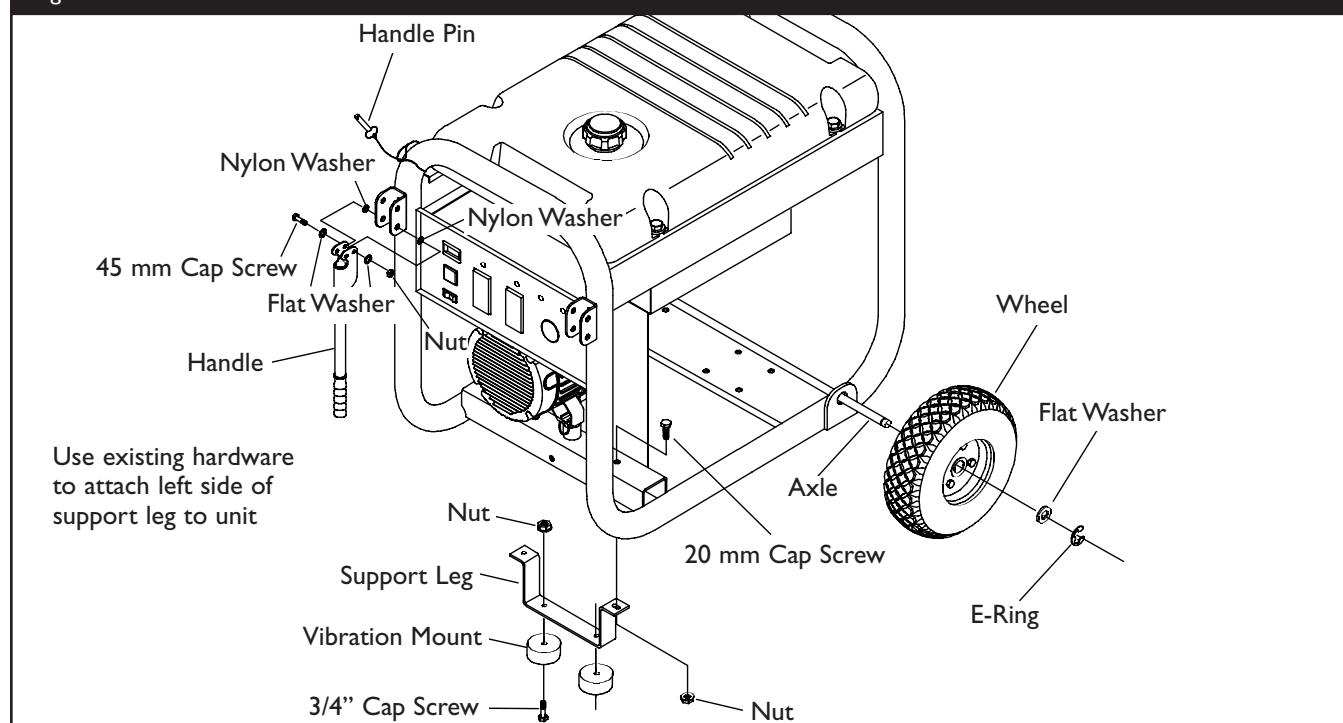
NOTE: Wheel kit is not intended for over-the-road use.

You will need a socket wrench with 1/2" or 13mm sockets and a needle-nose pliers to install this kit.

Refer to Figure 1 and install the wheel kit as follows:

1. Place the bottom of the generator frame on a flat, even surface. Temporarily place unit on blocks to ease assembly.

Figure 1 — Install Wheel Kit



Assembly

- Slide axle through both axle mounting brackets on cradle frame, as shown in Figure 1.
- Slide a wheel over the axle.

NOTE: Be sure to install both wheels with the air pressure valve on the outboard side.

- Place the e-ring onto the groove in the axle. You may add the flat washer if desired.

NOTE: Use retaining pins instead of e-clip, if applicable.

- Place one end of the needle nose pliers on the bottom of the axle and the other end of the pliers on top of the e-ring. Seat the e-ring by pressing the pliers closed.
- Repeat step 3 through 5 to secure second wheel.
- Remove the temporary blocks.
- Attach the vibration mounts to the support leg with 3/4" capscrews and lock nuts.
- To aid support leg assembly, rest generator on cradle, engine end down. Remove the existing hardware from the left unit vibration mount with 13mm wrench. Use the same hardware to attach the support leg.
- Attach the other side of the support leg with a 20 mm cap screw and lock nut. Rest generator on wheels and support leg.
- Attach handles to handle brackets on generator frame, as shown in Figure 1, with 45 mm capscrews, flat washers, nylon washers, and lock nuts.
- Loop handle pins to generator frame as shown in Figure 1. Raise handles and insert handle pins to move generator.
- Check each fastener to ensure it is secure and the tires are inflated between 15-40 PSI.

BEFORE STARTING THE ENGINE

Add Engine Oil and Fuel

- Place generator on a level surface.
- Refer to engine owner's manual and follow oil and fuel recommendations and instructions.

CAUTION

Any attempt to crank or start the engine before it has been properly filled with the recommended oil will result in equipment failure.

- Refer to engine manual for oil and fuel fill information.
- Damage to equipment resulting from failure to follow this instruction will void warranty.

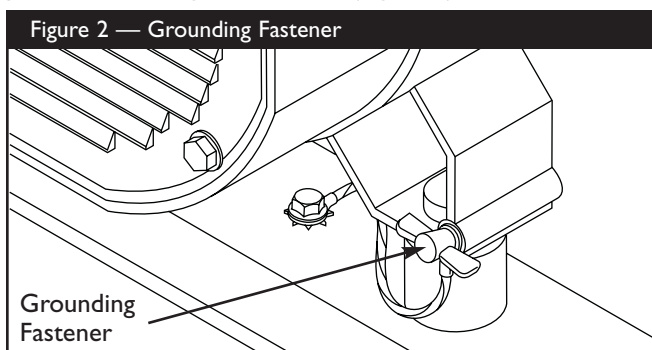
NOTE: Check oil often during engine break-in. Refer to engine owner's manual for recommendations.

NOTE: The generator assembly rotates on a prelubricated and sealed ball bearing that requires no additional lubrication for the life of the bearing.

Operation

GROUNDING THE GENERATOR

The National Electrical Code requires that the frame and external electrically conductive parts of this generator be properly connected to an approved earth ground. Local electrical codes may also require proper grounding of the unit. For that purpose, a **GROUNDING FASTENER** is provided on the generator end (Figure 2).



Generally, connecting a No. 12 AWG (American Wire Gauge) stranded copper wire to the grounding fastener and to an earth-driven copper or brass grounding rod (electrode) provides adequate protection against electrical shock. Be careful to keep the grounding wire attached after connecting the stranded copper wire. However, local codes may vary widely. Consult with a local electrician for grounding requirements in your area.

Properly grounding the generator helps prevent electrical shock if a ground fault condition exists in the generator or in connected electrical devices, especially when the unit is equipped with a wheel kit. Proper grounding also helps dissipate static electricity, which often builds up in ungrounded devices.

OPERATING THE GENERATOR

CAUTION

Exceeding generator's wattage/amperage capacity can damage generator and/or electrical devices connected to it.

- See "Don't Overload Generator" on page 13.
- Start generator and let engine stabilize before connecting electrical loads.
- Connect electrical loads in OFF position, then turn ON for operation.
- Turn electrical loads OFF and disconnect from generator before stopping generator.

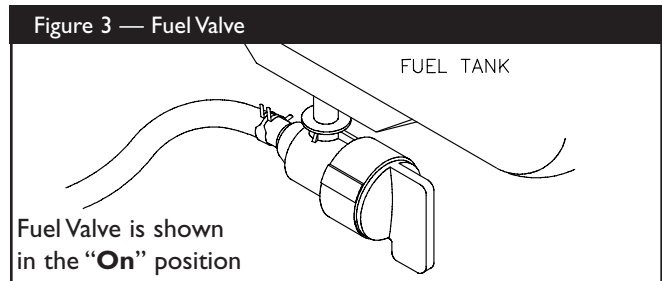
Starting the Engine

Disconnect all electrical loads from the generator. Use the following start instruction steps by numerical order:

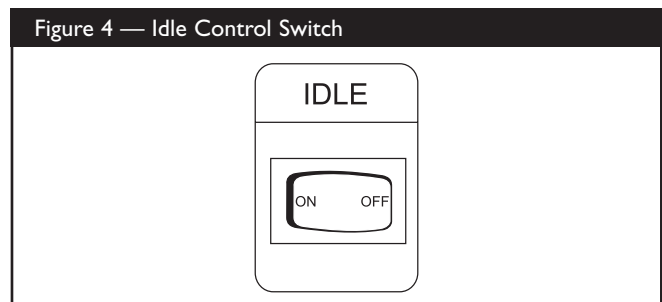
1. Make sure unit is on a level surface.

IMPORTANT: Failure to start and operate unit on a level surface will cause the unit not to start or shut down during operation.

2. Turn fuel valve to "On" position (Figure 3). The fuel valve handle should be vertical (pointing toward ground) for fuel to flow.



3. Make sure Idle Control switch is in "Off" position (Figure 4).



Operation

4. Start engine according to instructions given in engine owner's manual.

NOTE: If engine starts after 3 pulls but fails to run, or if unit shuts down during operation, make sure unit is on a level surface and check for proper oil level in crankcase. This unit may be equipped with a low oil protection device. See engine manual.

Connecting Electrical Loads

- Let engine stabilize and warm up for a few minutes after starting.
- Plug in and turn on the desired 120 and/or 240 Volt AC, single phase, 60 Hz electrical loads.
- DO NOT connect 240 Volt loads to the 120 Volt duplex receptacles.
- DO NOT connect 3-phase loads to the generator.
- DO NOT connect 50 Hz loads to the generator.
- **DO NOT OVERLOAD THE GENERATOR.** See "Don't Overload Generator" on page 13.

Stopping the Engine




1. Unplug **ALL** electrical loads from generator panel receptacles. NEVER start or stop engine with electrical devices plugged in and turned **ON**.
2. Move idle control switch to "**Off**" position.
3. Let engine run at no-load for several minutes to stabilize internal temperatures of engine and generator.
4. Turn engine off according to instructions given in the engine owner's manual.
5. Move fuel valve to "**Off**" position.

Operating Automatic Idle Control

This switch is designed to greatly improve fuel economy. **When this switch is turned ON**, the engine will only run at its normal high governed engine speed when an electrical load is connected. When an electrical load is removed, the engine will run at a reduced speed. **With the switch off**, the engine will run at the normal high engine speed. **Always have the switch off when starting and stopping the engine.**

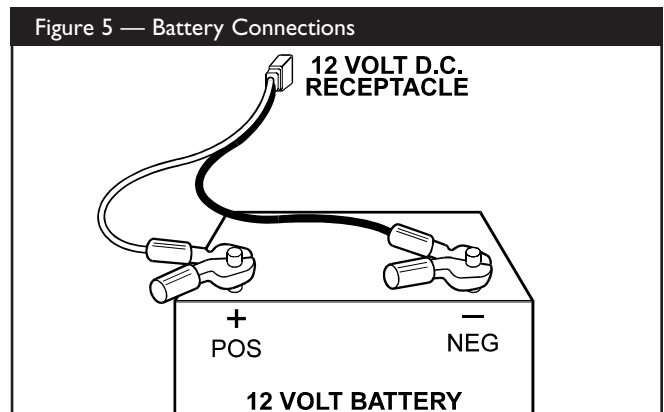
Charging a Battery

Your generator has the capability of recharging a discharged 12 Volt automotive or utility style storage battery. **DO NOT** use the unit to charge any 6 Volt batteries. **DO NOT** use the unit to crank an engine having a discharged battery.

 DANGER	
	Storage batteries give off explosive hydrogen gas during recharging. Hydrogen gas stays near battery for a long time after battery has been charged. Slightest spark will ignite hydrogen and cause explosion. You can be blinded or severely injured.
	Battery electrolyte fluid contains acid and is extremely caustic. Contact with battery fluid will cause severe chemical burns.
<ul style="list-style-type: none">• DO NOT allow any open flame, spark, heat, or lit cigarette during and for several minutes after charging a battery.• Wear protective goggles, rubber apron, and rubber gloves.	

To recharge 12 Volt batteries, proceed as follows:

1. Check fluid level in all battery cells. If necessary, add **ONLY** distilled water to cover separators in battery cells. **DO NOT use tap water.**
2. If battery is equipped with vent caps, make sure they are installed and are tight.
3. If necessary, clean battery terminals.
4. Connect battery charge cable connector plug to panel receptacle identified by the words "12-VOLTS D.C.".
5. Connect battery charge cable clamp with **red** handle to the **positive (+)** battery terminal (Figure 5).



Operation

6. Connect battery charge cable clamp with **black** handle to the **negative (-)** battery terminal (Figure 5).
7. Start engine. Let engine run while battery recharges.
8. When battery has charged, shut down engine

NOTE: Use an automotive hydrometer to test battery state of charge and condition. Follow the hydrometer manufacturer's instructions carefully. Generally, a battery is considered to be at 100% state of charge when specific gravity of its fluid (as measured by hydrometer) is 1.260 or higher.

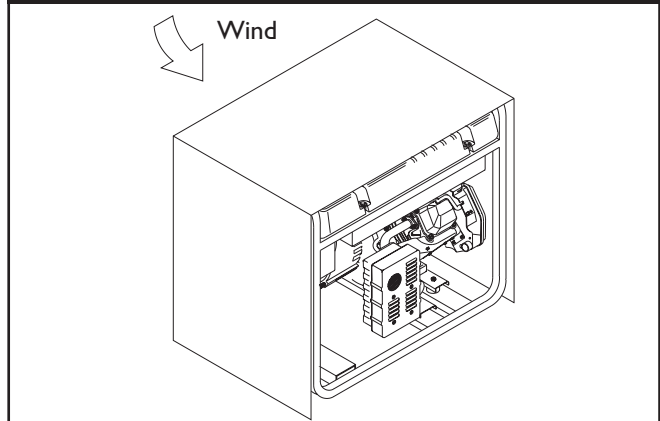
COLD WEATHER OPERATION

Under certain weather conditions (temperatures below 40°F [4°C] and a high dew point), your generator may experience icing of the carburetor and/or the crankcase breather system.

Build a structure that will enclose three sides and the top of the generator:

1. Make sure entire muffler-side of generator is exposed. Note that your generator may appear different from that shown in Figure 6.

Figure 6 — Permanent Cold Weather Shelter



2. Ensure a minimum of two feet clearance between open side of box and nearest object.
3. Face exposed end away from wind and elements.
4. Enclosure should hold enough heat created by generator to prevent problems.

DANGER



Running generator gives off carbon monoxide, an odorless, colorless, poison gas. Breathing carbon monoxide will cause nausea, fainting or death.

- Operate generator **ONLY** outdoors.
- Keep at least 2 feet of clearance on all sides of generator for adequate ventilation.
- **DO NOT** operate generator inside any building or enclosure, including the generator compartment of a recreational vehicle (RV).
- Remove generator from shelter when temperature is above 40°F [4°C].

Operation

RECEPTACLES

CAUTION

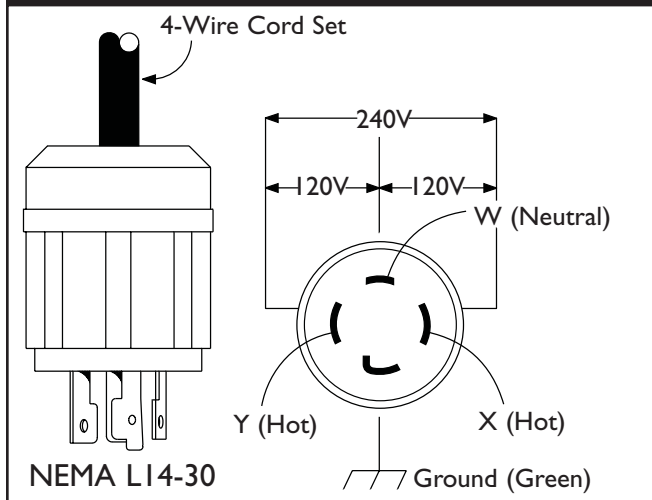
Receptacles may be marked with rating value greater than generator output capacity.

- NEVER attempt to power a device requiring more amperage than generator or receptacle can supply.
- DO NOT overload the generator. See “Don’t Overload Generator”.

120/240 Volt AC, 30 Amp, Locking Receptacle

Use a NEMA L14-30 plug with this receptacle. Connect a 4-wire cord set rated for 250 Volt AC loads at 30 Amps (or greater) (Figure 7). You can use the same 4-wire cord if you plan to run a 120 Volt load.

Figure 7 — 120/240 Volt AC, 30 Amp Receptacle

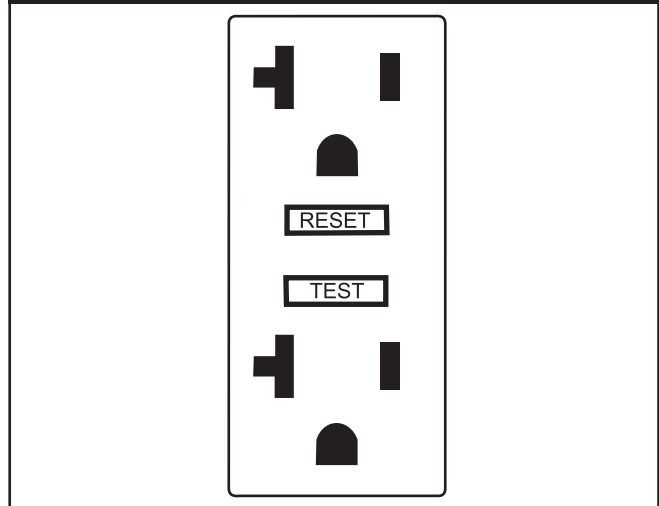


This receptacle powers 120/240 Volt AC, 60 Hz, single phase loads requiring up to 6,500 watts of power (6.5 kW) at 30 Amps for 120 Volts or 240 Volts. The outlet is protected by a push-to-reset circuit breaker.

120 Volt AC, 20 Amp, GFCI Duplex Receptacles

Each duplex receptacle (Figure 8) is protected against overload by a push-to-reset circuit breaker.

Figure 8 — 120 Volt, 20 Amp GFCI Duplex Receptacle

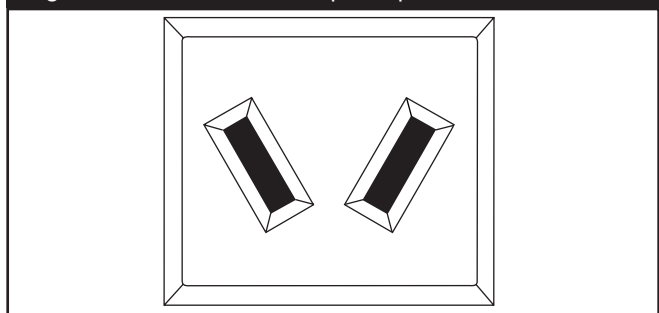


Use each receptacle to operate 120 Volt AC, single-phase, 60 Hz electrical loads requiring up to 2,400 watts (2.4 kW) at 20 Amps of current. Use cord sets that are rated for 125 Volt AC loads at 20 Amps (or greater).

12 Volt DC, 10 Amp Receptacle

This receptacle (Figure 9) allows you to recharge a 12 Volt automotive or utility style storage battery with the battery charge cables provided.

Figure 9 — 12 Volt DC, 10 Amp Receptacle



This receptacle can not recharge 6 Volt batteries and can not be used to crank an engine having a discharged battery. See “Charging a Battery” on page 9 before attempting to recharge a battery. This outlet is protected by a 10 Amp self-resetting circuit breaker.



Operation

Ground Fault Protection

This unit is equipped with a Ground Fault Circuit Interrupter (GFCI). This device meets applicable federal, state and local codes.

The GFCI protects against electrical shock that may be caused if your body becomes a path which electricity travels to reach the ground. This could happen if you touch a "Live" appliance or wire, or are touching plumbing or other materials that connect to the ground.


When protected by a GFCI, one may still feel a shock, but the GFCI should cut current off quickly enough so that a person in normal health should not suffer any serious electrical injury.

 DANGER	
	Generator produces powerful voltage.
<ul style="list-style-type: none">• The GFCI will not protect you against the following situations:<ul style="list-style-type: none">-Line-to-line shocks;-Current overloads or line-to-line short circuits.• The fuse or circuit breaker at the control panel must provide such protection.	

Testing the GFCI

Test your GFCI outlet every month and before use, as follows:

- Push the black "**Test**" button. The red "**Reset**" button should pop out, which should allow no power to reach the outlet. Use a test lamp in each outlet to test this.

 CAUTION
The "Reset" button does not pop out or the test lamp remains lit when the "Reset" button is popped out.
<ul style="list-style-type: none">• DO NOT use any outlets on the circuit.• Call a qualified electrician.

- If the GFCI tests good, restore power by pressing the "**Reset**" button firmly until it is fully in place and locks in that position. **If the GFCI outlet does not reset properly, do not use the outlet. Call a local service center.**
- If the GFCI trips by itself at any time, reset and test the outlet. **If the reset button does pop out when the test button is pressed, do not use the outlet. Call a local service center.**

Operation

DON'T OVERLOAD GENERATOR

Capacity

You must make sure your generator can supply enough rated (running) and surge (starting) watts for the items you will power at the same time. Follow these simple steps:

1. Select the items you will power at the same time.
2. Total the rated (running) watts of these items. This is the amount of power your generator must produce to keep your items running. See Figure 10.
3. Estimate how many surge (starting) watts you will need. Surge wattage is the short burst of power needed to start electric motor-driven tools or appliances such as a circular saw or refrigerator. Because not all motors start at the same time, total surge watts can be estimated by adding only the item(s) with the highest additional surge watts to the total rated watts from step 2.

Example:

Tool or Appliance	Rated (Running) Watts	Additional Surge (Starting) Watts
Window Air Conditioner	1200	1800
Refrigerator	800	1600
Deep Freezer	500	500
Television	500	-
Light (75 Watts)	75	-
	3075 Total Running Watts	1800 Highest Surge Watts

Total Rated (Running) Watts = 3075

Highest Additional Surge Watts = 1800

Total Generator Output Required = 4875

Power Management

To prolong the life of your generator and attached devices, it is important to take care when adding electrical loads to your generator. There should be nothing connected to the generator outlets before starting its engine. The correct and safe way to manage generator power is to sequentially add loads as follows:

1. With nothing connected to the generator, start the engine as described in this manual.
2. Plug in and turn on the first load, preferably the largest load you have.
3. Permit the generator output to stabilize (engine runs smoothly and attached device operates properly).

4. Plug in and turn on the next load.
5. Again, permit the generator to stabilize.
6. Repeat steps 4 and 5 for each additional load.

NEVER add more loads than the generator capacity. Take special care to consider surge loads in generator capacity, as described above.

Figure 10 - Wattage Reference Chart		
Tool or Appliance	Rated* (Running) Watts	Additional Surge (Starting) Watts
Essentials		
Light Bulb - 75 watt	75	-
Deep Freezer	500	500
Sump Pump	800	1200
Refrigerator/Freezer - 18 Cu. Ft.	800	1600
Water Well Pump - 1/3 HP	1000	2000
Heating/Cooling		
Window AC - 10,000 BTU	1200	1800
Window Fan	300	600
Furnace Fan Blower - 1/2 HP	800	1300
Kitchen		
Microwave Oven - 1000 Watt	1000	-
Coffee Maker	1500	-
Electric Stove - Single Element	1500	-
Hot Plate	2500	-
Family Room		
DVD/CD Player	100	-
VCR	100	-
Stereo Receiver	450	-
Color Television - 27"	500	-
Personal Computer w/17" monitor	800	-
Other		
Security System	180	-
AM/FM Clock Radio	300	-
Garage Door Opener - 1/2 HP	480	520
Electric Water Heater - 40 Gallon	4000	-
DIY/Job Site		
Quartz Halogen Work Light	1000	-
Airless Sprayer - 1/3 HP	600	1200
Reciprocating Saw	960	960
Electric Drill - 1/2 HP	1000	1000
Circular Saw - 7 1/4"	1500	1500
Miter Saw - 10"	1800	1800
Table Planer - 6"	1800	1800
Table Saw/Radial Arm Saw - 10"	2000	2000
Air Compressor - 1-1/2 HP	2500	2500

*Wattages listed are approximate only. Check tool or appliance for actual wattage.

Maintenance

SPECIFICATIONS


Maximum Surge Watts	.8,125 watts
Continuous Wattage Capacity	.6,500 watts
Power Factor	.1.0
Rated Maximum Continuous AC Load Current:	
At 120 Volts	.54.2 Amps
At 240 Volts	.27.1 Amps
Phase	.1-phase
Rated Frequency	.60 Hertz
Fuel Tank Capacity	.7 U.S. gallons
Shipping Weight	.205 lbs.

GENERAL MAINTENANCE RECOMMENDATIONS

The Owner/Operator is responsible for making sure that all periodic maintenance tasks are completed on a timely basis; that all discrepancies are corrected; and that the unit is kept clean and properly stored. **NEVER operate a damaged or defective generator.**

Engine Maintenance

See engine owner's manual for instructions.

 CAUTION
Avoid prolonged or repeated skin contact with used motor oil.
<ul style="list-style-type: none">• Used motor oil has been shown to cause skin cancer in certain laboratory animals.• Thoroughly wash exposed areas with soap and water.



KEEP OUT OF REACH OF CHILDREN. DON'T POLLUTE. CONSERVE RESOURCES. RETURN USED OIL TO COLLECTION CENTERS.

Generator Maintenance

Generator maintenance consists of keeping the unit clean and dry. Operate and store the unit in a clean dry environment where it will not be exposed to excessive dust, dirt, moisture or any corrosive vapors. Cooling air slots in the generator must not become clogged with dirt, leaves or any other foreign material.

NOTE: DO NOT use a garden hose to clean generator. Water can enter engine fuel system and cause problems. In addition, if water enters generator through cooling air slots, some of the water will be retained in voids and cracks of the rotor and stator winding insulation. Water and dirt buildup on the generator internal windings will eventually decrease the insulation resistance of these windings.

 WARNING	
	Unintentional sparking can result in fire or electric shock.
	
WHEN ADJUSTING OR MAKING REPAIRS TO YOUR GENERATOR	
<ul style="list-style-type: none">• Disconnect the spark plug wire from the spark plug and place the wire where it cannot contact spark plug.	

Generator Cleaning

- Use a damp cloth to wipe exterior surfaces clean.

CAUTION
Improper treatment of generator can damage it and shorten its life.
<ul style="list-style-type: none">• DO NOT expose generator to excessive moisture, dust, dirt, or corrosive vapors.• DO NOT insert any objects through cooling slots.

- Use a soft bristle brush to loosen caked on dirt or oil.
- Use a vacuum cleaner to pick up loose dirt and debris.
- Use low pressure air (not to exceed 25 psi) to blow away dirt. Inspect cooling air slots and opening on generator. These openings must be kept clean and unobstructed.

Storage

STORAGE

The generator should be started at least once every seven days and allowed to run at least 30 minutes. If this cannot be done and you must store the unit for more than 30 days, use the following guidelines to prepare it for storage.

Generator Storage

- Clean the generator as outlined in “Generator Cleaning”.
- Check that cooling air slots and openings on generator are open and unobstructed.



WARNING

Storage covers can be flammable.

- DO NOT place a storage cover over a hot generator.
- Let equipment cool for a sufficient time before placing the cover on the equipment.

Engine Storage

See engine owner’s manual for instructions.

Other Storage Tips

- To prevent gum from forming in fuel system or on essential carburetor parts, add fuel stabilizer into fuel tank and fill with fresh fuel. Run the unit for several minutes to circulate the additive through the carburetor. The unit and fuel can then be stored for up to 24 months. Fuel stabilizer can be purchased locally.
- DO NOT store fuel from one season to another unless it has been treated as described above.
- Replace fuel container if it starts to rust. Rust and/or dirt in fuel can cause problems if it's used with this unit.
- Store unit in a clean and dry area.

Notes

NOTES

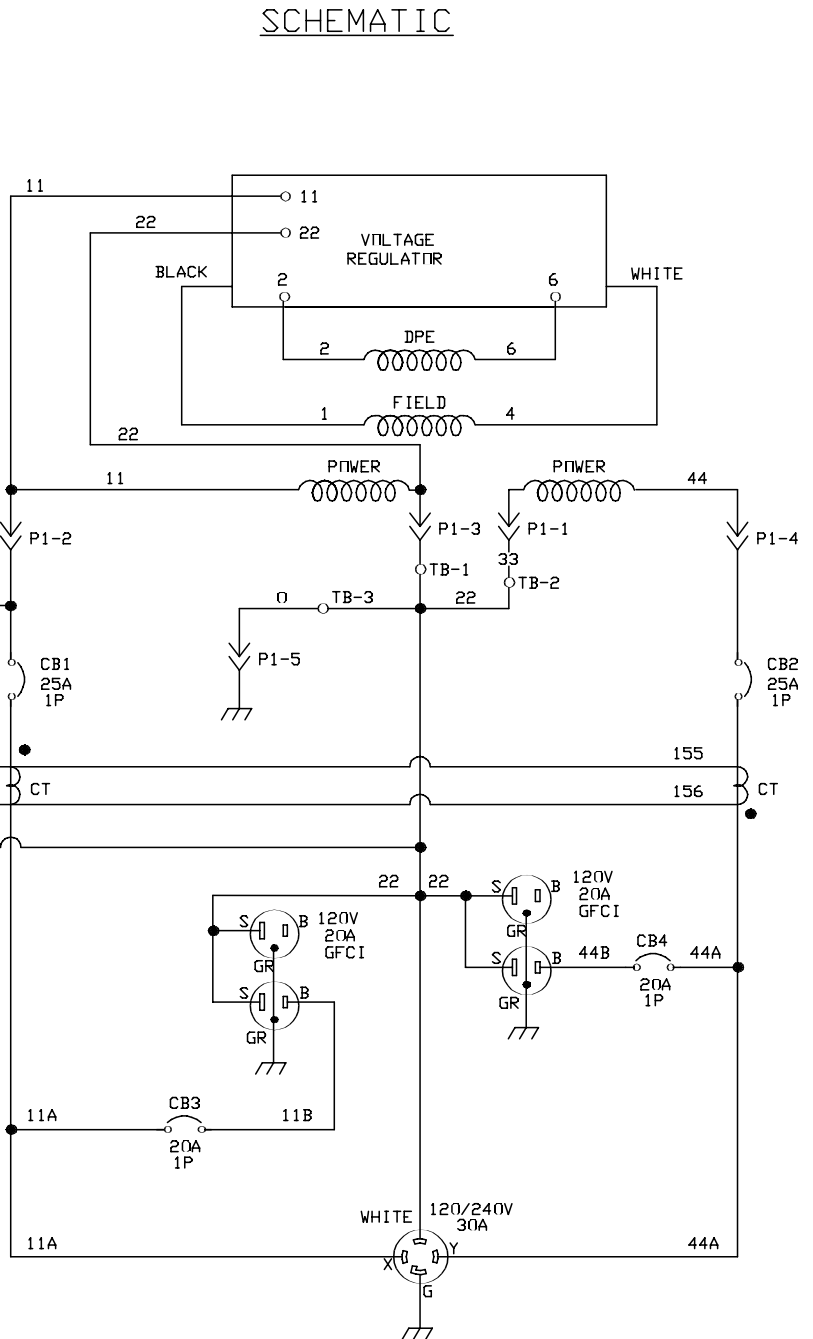
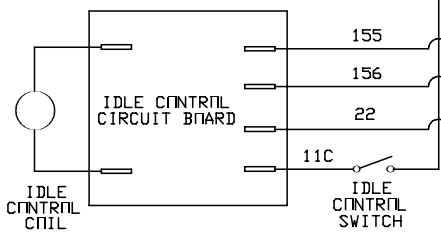
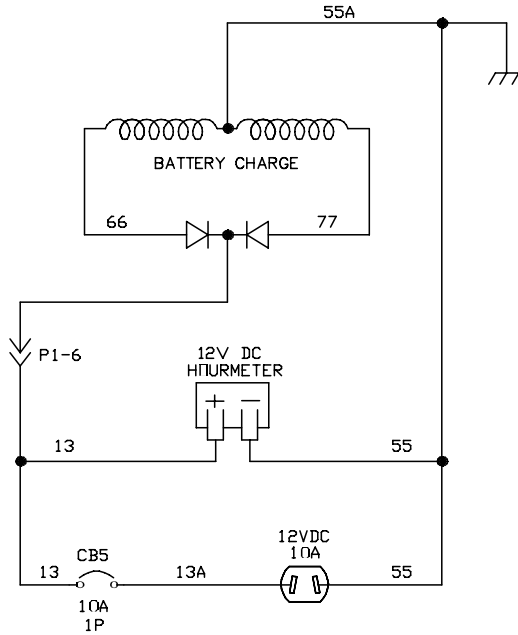
Troubleshooting

TROUBLESHOOTING

Problem	Cause	Solution
Engine is running, but no AC output is available.	<ol style="list-style-type: none">1. Circuit breaker is open.2. Poor connection or defective cord set.3. Connected device is bad.4. Fault in generator.	<ol style="list-style-type: none">1. Reset circuit breaker.2. Check and repair.3. Connect another device that is in good condition.4. Contact local service facility.
Engine runs good but bogs down when loads are connected.	<ol style="list-style-type: none">1. Short circuit in a connected load.2. Generator is overloaded.3. Shorted generator circuit.	<ol style="list-style-type: none">1. Disconnect shorted electrical load.2. See "Don't Overload Generator".3. Contact local service facility.
Engine shuts down during operation.	<ol style="list-style-type: none">1. Out of gasoline.2. Low oil level	<ol style="list-style-type: none">1. Fill fuel tank.2. Fill crankcase to proper level or place generator on a level surface.
Engine lacks power.	Load is too high.	See "Don't Overload Generator".

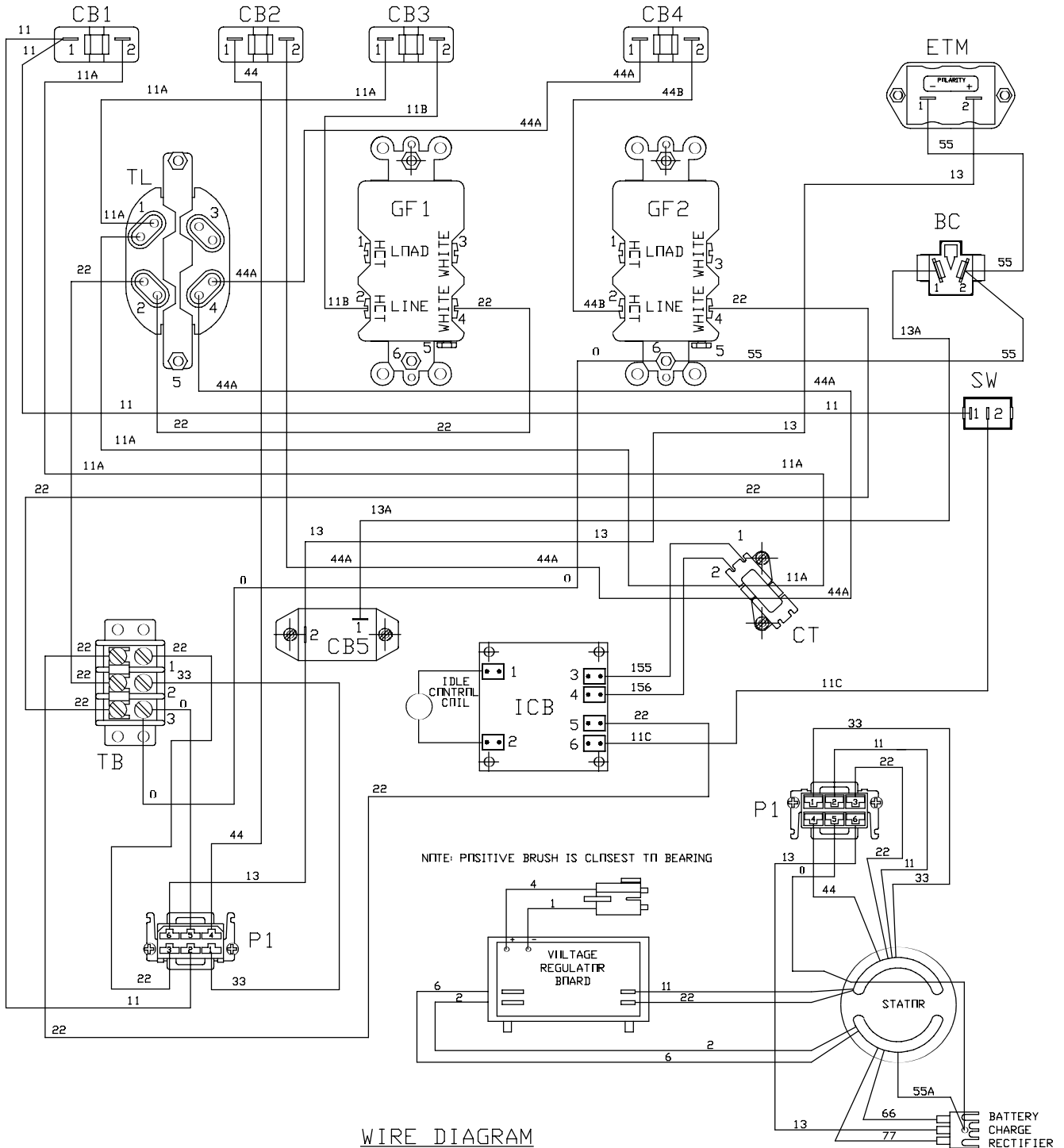
Schematic

SCHEMATIC



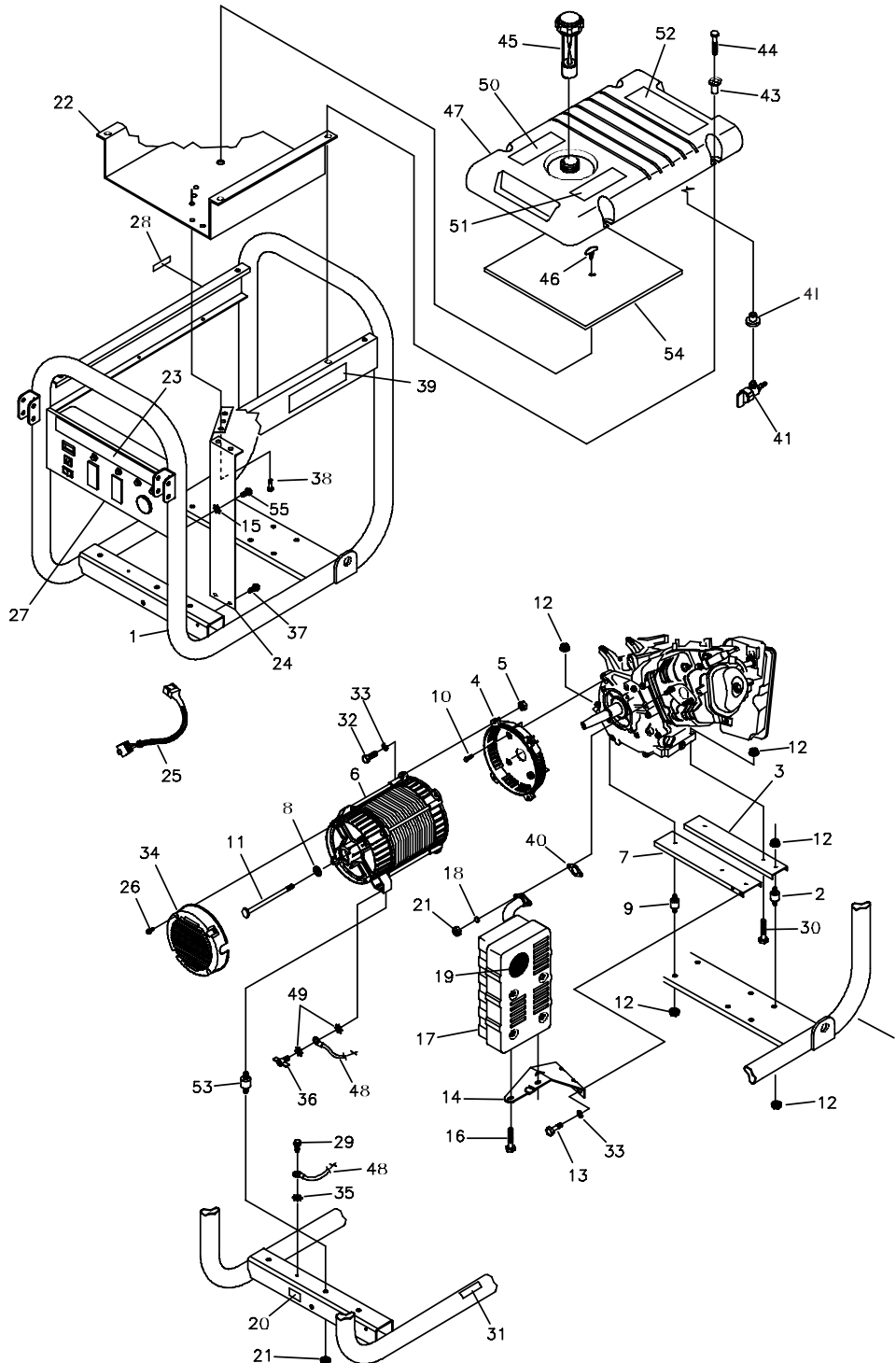
Wiring Diagram

WIRING DIAGRAM



Exploded Views

EXPLODED VIEW – MAIN UNIT



Exploded Views

PARTS LIST – MAIN UNIT

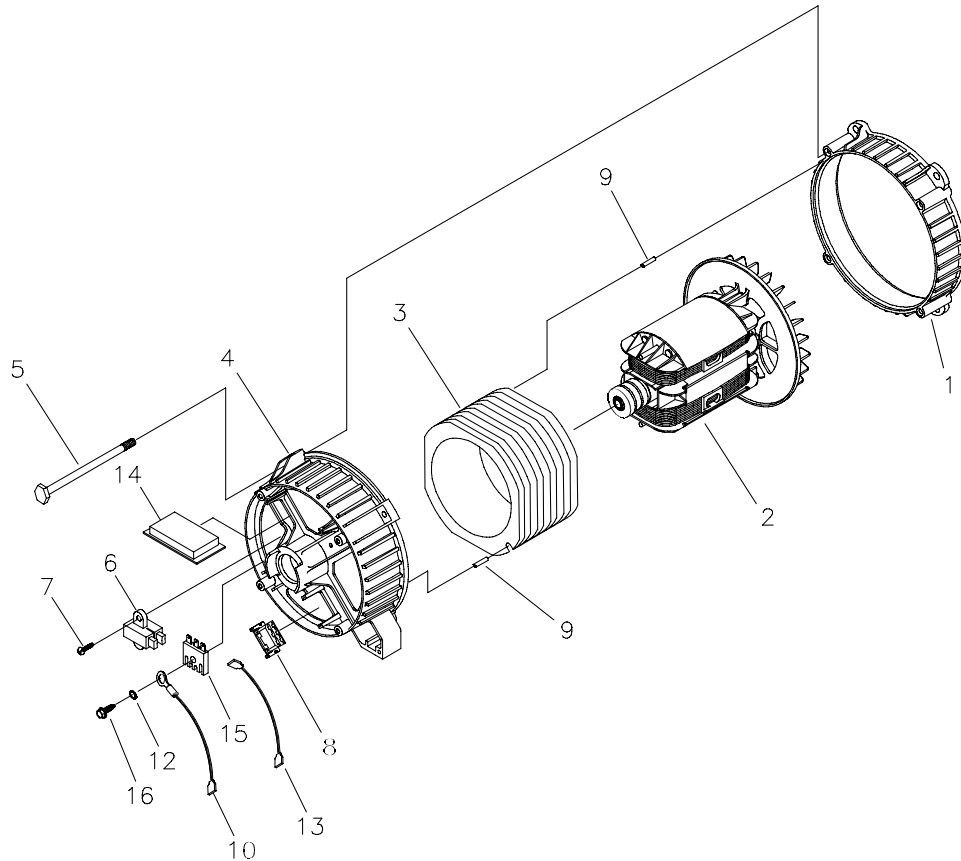
Item Part #	Description	Item Part #	Description
1 N192958AGS	CRADLE	33 22129GS	WASHER, Lock
2 82857GS	MOUNT,Vibration	34 186347GS	COVER, Bearing Carrier
3 N92531GS	SUPPORT, Engine	35 23762GS	WASHER
4 190220GS	HOUSING, Engine Adapter	36 86494GS	SCREW,Wing
5 45771GS	NUT	37 192376GS	SCREW
6 NSP	ASSY,Alternator (see page 22)	38 56893GS	SCREW
7 N92731GS	SUPPORT, Eng/Muffler	39 193057GS	DECAL, Unit
8 96796GS	WASHER	40 NSP	GASKET, Muffler (with Item 900)
9 92609GS	MOUNT,Vibration	41 192980GS	KIT,VLV, FUEL, SRV
10 190274BGS	SCREW	43 83465GS	GROMMET,Tank
11 187365JGS	SCREW	44 78831AGS	SCREW
12 189160GS	NUT	45 B4363GS	CAP, Fuel Gauge
13 22142GS	SCREW	46 85000GS	CLIP, Insulation
14 193048GS	BRACKET, Muffler	47 193500GS	ASSY,Tank, Fuel (Includes Items 41, 50, 51 & 52)
15 23762GS	WASHER	48 14353621GS	WIRE, Ground
16 66476GS	SCREW, w/Lock Washer	49 26850GS	WASHER
17 192569GS	MUFFLER	50 188333GS	DECAL, Instruction, Fuel Level
18 31579GS	SPACER	51 92982GS	DECAL, Danger
19 83083GS	SCREEN, Spark Arrest	52 189274GS	DECAL, Start Instructions
20 B4986GS	DECAL, Ground	53 85652GS	MOUNT,Vibration
21 67989GS	NUT, Flange Serrated	54 92665GS	INSULATION
22 192981GS	SHIELD, Heat	55 B2153GS	SCREW
23 193058GS	DECAL, Panel, Control	900 NSP	ENGINE
24 192983GS	SHIELD, Heat		
25 193157GS	HARNESS, Wire, Power		
26 74908GS	SCREW		
27 193049GS	ASSY, Control Panel (see page 23)		
28 191435GS	DECAL, Fuel Shut-off		
29 86292GS	SCREW		
30 22531GS	SCREW		
31 191436GS	DECAL, Hot Muffler		
32 43107GS	SCREW		

Parts Not Illustrated

43438GS	PLUG, 250V 30A, 4 Prong
BB3061BGS	OIL, Bottle
65787GS	CABLE, Battery Charge
B1464GS	MANUAL, Engine
193174GS	MANUAL, Owner's

Exploded Views

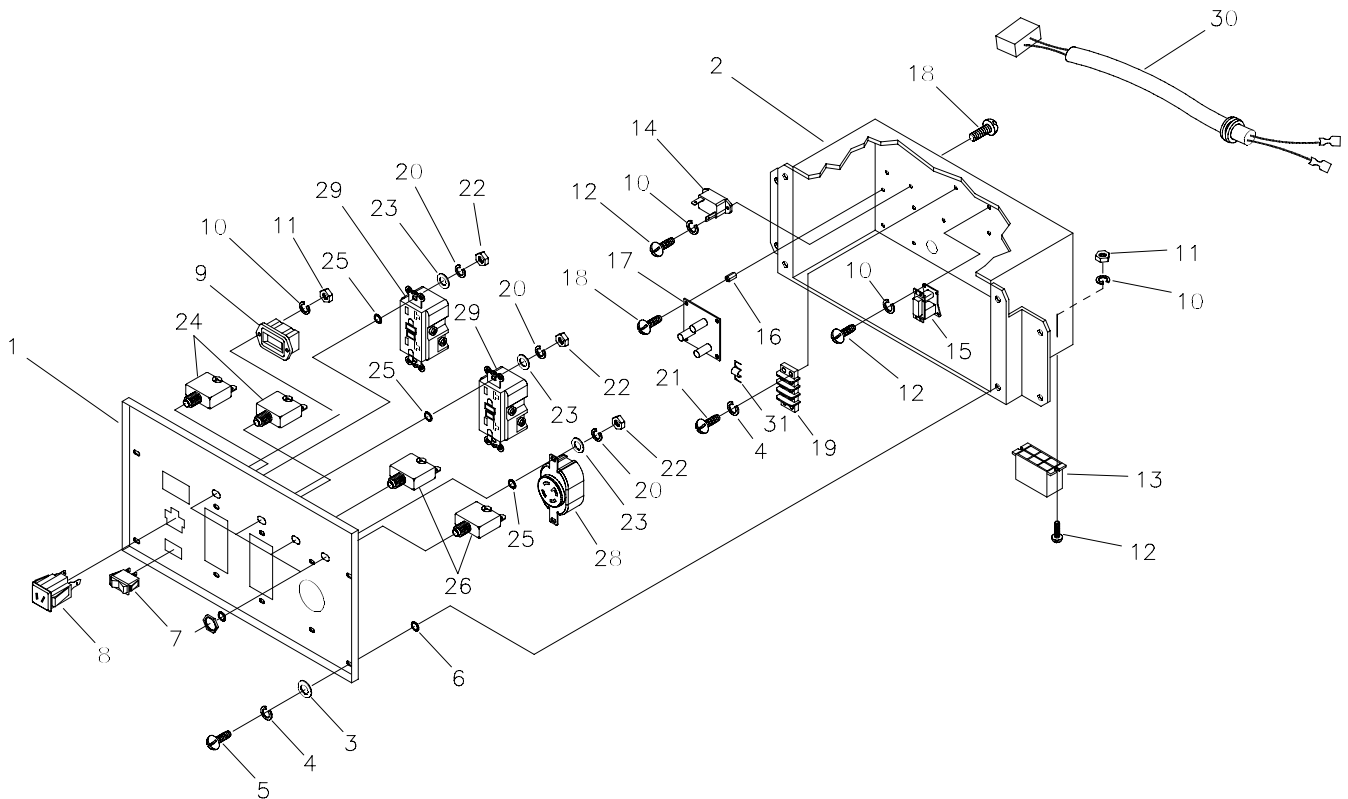
EXPLODED VIEW AND PARTS LIST – ALTERNATOR



Item	Part #	Description
1	186059GS	ADAPTER, Mounting, Alternator
2	192919GS	ROTOR
3	192920AGS	STATOR
4	193336GS	RBC, (with O-Ring, p/n 189197GS)
5	86308HGS	SCREW
6	66386GS	ASSY, Holder, Brush
7	66849GS	SCREW
8	22694GS	RECEPTACLE, 6 pin
9	81917GS	PIN, Roll
10	191051AGS	ASSY, Wire, Ground
12	23762GS	WASHER
13	192403XGS	WIRE, Ground
14	189769GS	REGULATOR, Voltage, AVR
15	65795GS	RECTIFIER
16	66849AGS	SCREW

Exploded Views

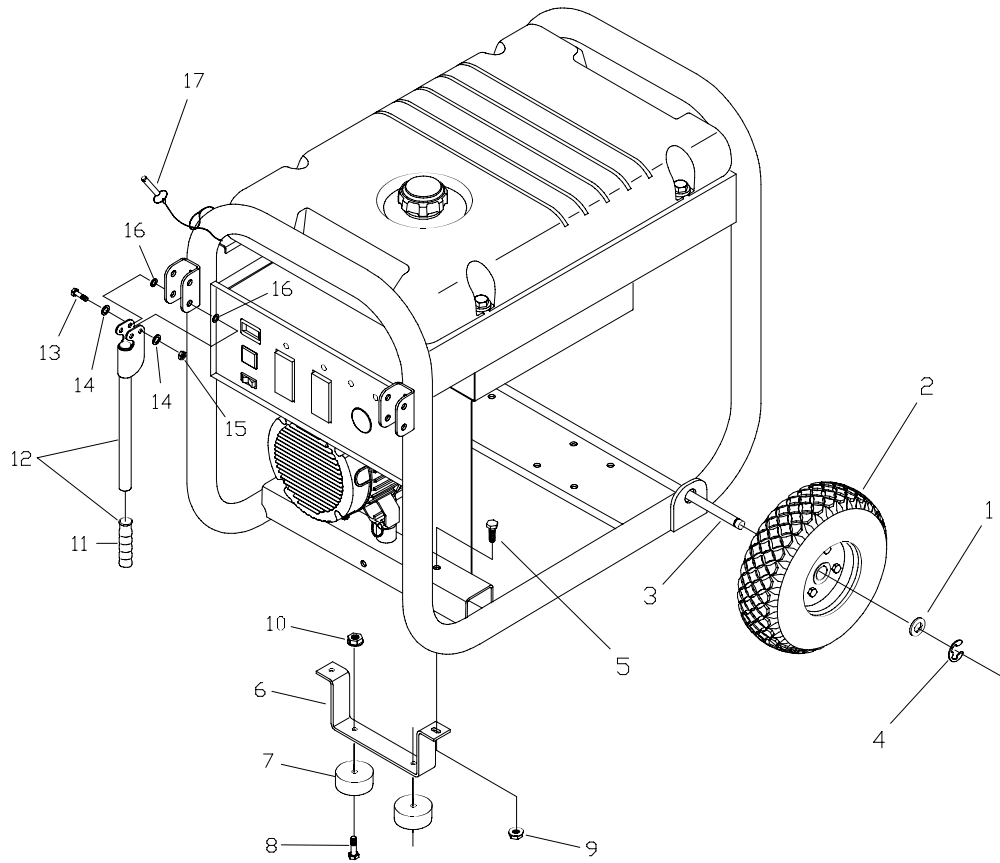
EXPLODED VIEW AND PARTS LIST – CONTROL PANEL



Item	Part #	Description	Item	Part #	Description
1	NSP	PANEL, Control	16	64525GS	STANDOFF, Hex
2	B192836GS	BOX, Control Panel	17	189367GS	PCB, Idle Control
3	23897GS	WASHER	18	64526GS	SCREW
4	49226GS	WASHER, Lock	19	193077GS	STRIP, Terminal
5	91526GS	SCREW	20	22264GS	WASHER, Lock
6	22447GS	WASHER	21	75477GS	SCREW
7	82538GS	SWITCH, Rocker	22	51715GS	NUT
8	90418GS	OUTLET, 12VDC, Snap	23	43180GS	WASHER
9	77604GS	METER, Hour	24	75207GS	BREAKER, Circuit
10	43182GS	WASHER, Lock	25	23365GS	WASHER
11	51714GS	NUT	26	75207PGS	BREAKER, Circuit
12	43181GS	SCREW	27	193095GS	JUMPER, Terminal Block
13	22694GS	HOUSING, Receptacle	28	43437GS	OUTLET, 120/240V, 30A
14	87962GS	BREAKER, Circuit	29	80409GS	OUTLET, 120V, 20A, Duplex. GFCI
15	84028GS	TRANSFORMER, Idle Cnt	30	189502GS	HARNESS, Wire

Exploded Views

EXPLODED VIEW AND PARTS LIST – WHEEL KIT



Item	Part #	Description
1	22247GS	WASHER
2	B4966GS	WHEEL
3	191267KGS	AXLE
4	191265GS	E-RING
5	39253GS	SCREW
6	B89595GS	BRACKET, Support, Unit
7	87841GS	MOUNT, Vibe Donut Type
8	22287GS	SCREW
9	67989GS	NUT
10	B2071GS	NUT, Lock
11	B4605GS	GRIP, Handle
12	B187113GS	ASSY, Handle (Includes Item 11)
13	39287GS	SCREW
14	22145GS	WASHER
15	49820GS	NUT, Nylok
16	187104GS	WASHER, Nylon
17	B4135GS	PIN, with Lanyard

LIMITED WARRANTY

“Briggs & Stratton Power Products will repair or replace, free of charge, any part or parts of this Husqvarna® branded product** that are defective in material or workmanship or both. Transportation charges on parts submitted for repair or replacement under this warranty must be borne by purchaser. This warranty is effective for the time periods and subject to the conditions stated below. For warranty service, find the nearest Authorized Service Dealer by calling 1-877-224-0458. Warranty service may only be performed by a Briggs & Stratton Power Products Authorized service dealer.

THERE IS NO OTHER EXPRESS WARRANTY. IMPLIED WARRANTIES, INCLUDING THOSE OF MERCHANTABILITY AND FITNESS FOR A PARTICULAR PURPOSE, ARE LIMITED TO THE TIME PERIOD SPECIFIED, OR TO THE EXTENT PERMITTED BY LAW. ANY AND ALL IMPLIED WARRANTIES ARE EXCLUDED. LIABILITY FOR INCIDENTAL OR CONSEQUENTIAL DAMAGES UNDER ANY AND ALL WARRANTIES ARE EXCLUDED TO THE EXTENT EXCLUSION IS PERMITTED BY LAW. Some countries or states do not allow limitations on how long an implied warranty lasts, and some countries or states do not allow the exclusion or limitation of incidental or consequential damages, so the above limitation and exclusion may not apply to you. This warranty gives you specific legal rights and you may also have other rights which vary from country to country or state to state.”

WARRANTY PERIOD*

Equipment **	Consumer Use	Commercial Use
Pressure Washer	2 Years	2 Years
Portable Generator	2 Years (2nd year parts only)	2 Years (2nd year parts only)

* The warranty period begins on the date of purchase by the first retail consumer or commercial end user, and continues for the period of time stated in the table above. "Consumer use" means personal residential household use by a retail consumer. "Commercial use" means all other uses, including use for commercial, income producing or rental purposes. Once equipment has experienced commercial use, it shall thereafter be considered as commercial use for purposes of this warranty.

** The engine and starting batteries are warranted solely by the manufacturers of those products.

WARRANTY REGISTRATION IS NOT NECESSARY TO OBTAIN WARRANTY ON BRIGGS & STRATTON POWER PRODUCTS EQUIPMENT. SAVE YOUR PROOF OF PURCHASE RECEIPT. IF YOU DO NOT PROVIDE PROOF OF THE INITIAL PURCHASE DATE AT THE TIME WARRANTY SERVICE IS REQUESTED, THE MANUFACTURING DATE OF THE EQUIPMENT WILL BE USED TO DETERMINE THE WARRANTY PERIOD.

About your equipment warranty:

We welcome warranty repair and apologize to you for being inconvenienced. Any Authorized Service Dealer may perform warranty repairs. Most warranty repairs are handled routinely, but sometimes requests for warranty service may not be appropriate. For example, warranty service would not apply if equipment damage occurred because of misuse, lack of routine maintenance, shipping, handling, warehousing or improper installation. Similarly, the warranty is void if the manufacturing date or the serial number on the equipment has been removed or the equipment has been altered or modified. During the warranty period, the Authorized service dealer, at its option, will repair or replace any part that, upon examination, is found to be defective under normal use and service. This warranty will not cover following repairs and equipment:

- **Normal Wear:** Outdoor power equipment, like all mechanical devices, needs periodic parts, service and replacement to perform well. This warranty does not cover repair when normal use has exhausted the life of a part or the equipment.
- **Installation and Maintenance:** This warranty does not apply to equipment or parts that have been subjected to improper or unauthorized installation or alteration and modification, misuse, negligence, accident, overloading, overspeeding, improper maintenance, repair or storage so as, in our judgment, to adversely affect its performance and reliability. This warranty also does not cover normal maintenance such as adjustments, fuel system cleaning and obstruction (due to chemical, dirt, carbon or lime, etc.).
- **Other Exclusions:** This warranty excludes wear items such as quick couplers, oil gauges, belts, o-rings, filters, pump packing, etc., pumps which have been run without water supplied or damage or malfunctions resulting from accidents, abuse, modifications, alterations, or improper servicing or freezing or chemical deterioration. Accessory parts such as guns, hoses, wands and nozzles are excluded from the product warranty. Also excluded is used, reconditioned, and demonstration equipment; equipment used for prime power in place of utility power and equipment used in life support applications.

BRIGGS & STRATTON POWER PRODUCTS GROUP, LLC
JEFFERSON, WISCONSIN, U.S.A.