

140300 to 140457

Illustrated Parts List

MODEL SERIES

140300 to 140457

TYPE NUMBERS

0015 to 0050
0110 to 0174
500000 to 500051

TO FIND

THE CORRECT NUMBER OF THE PART YOU NEED:

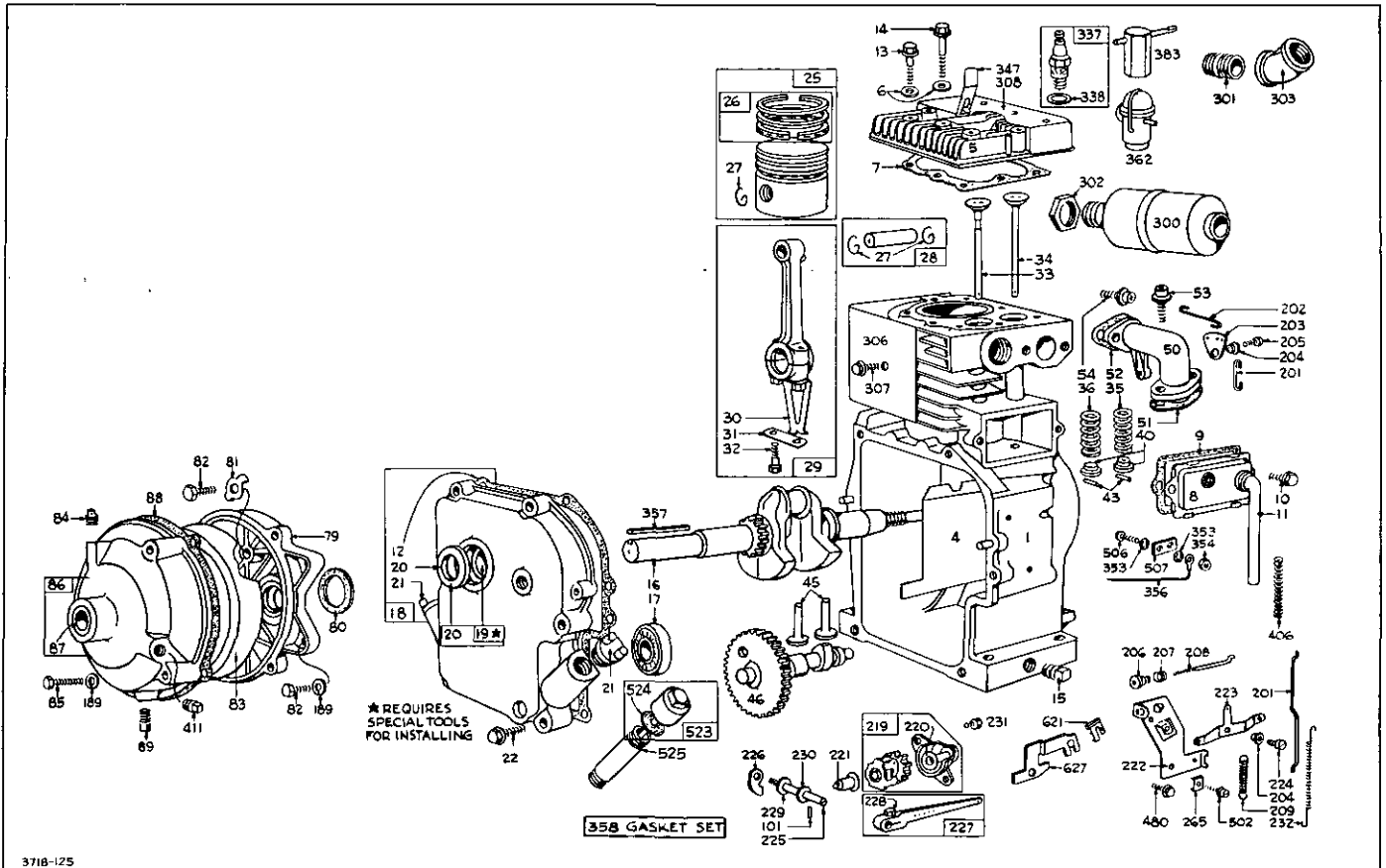
FOLLOW THE INSTRUCTIONS BELOW.

- A. Refer to Engine Model, Type and Serial Number that is stamped on the blower housing or name plate of engine. (Engine type numbers such as 500050 are listed complete. Engine type numbers such as 0147 01 are listed herein only as 0147. The two digits (01 or 02, etc.) to the right of the space are not needed for parts identification). Then use the Illustrated Parts List covering these Model Series.
- B. Refer to Illustrated Parts section and compare the old part with illustration. The number on the illustration is the Reference Number. Assemblies include all parts shown in frames. All parts shown in assembly frames on which individual reference numbers are given can be purchased separately.
- C. After the Reference Number has been identified, refer to the Numerical Parts List; where Reference and Master Part Numbers are listed. **THE MASTER PART IS USED ON ALL TYPE NUMBERS EXCEPT THOSE TYPE NUMBERS UNDER "NOTE"**
- D. If a "Note" appears below the Master Part Number, this means that this part differs from the Master Part for certain types. If the Type Number is listed under "Note", order the part referred to.
- E. If the Engine Type Number does not appear after any part number listed under "Note", use the Master Part Number.
- F. For Type Numbers higher than those covered by this book, please refer to the factory if you are unable to identify the part by comparison.

PRINTED IN U.S.A.

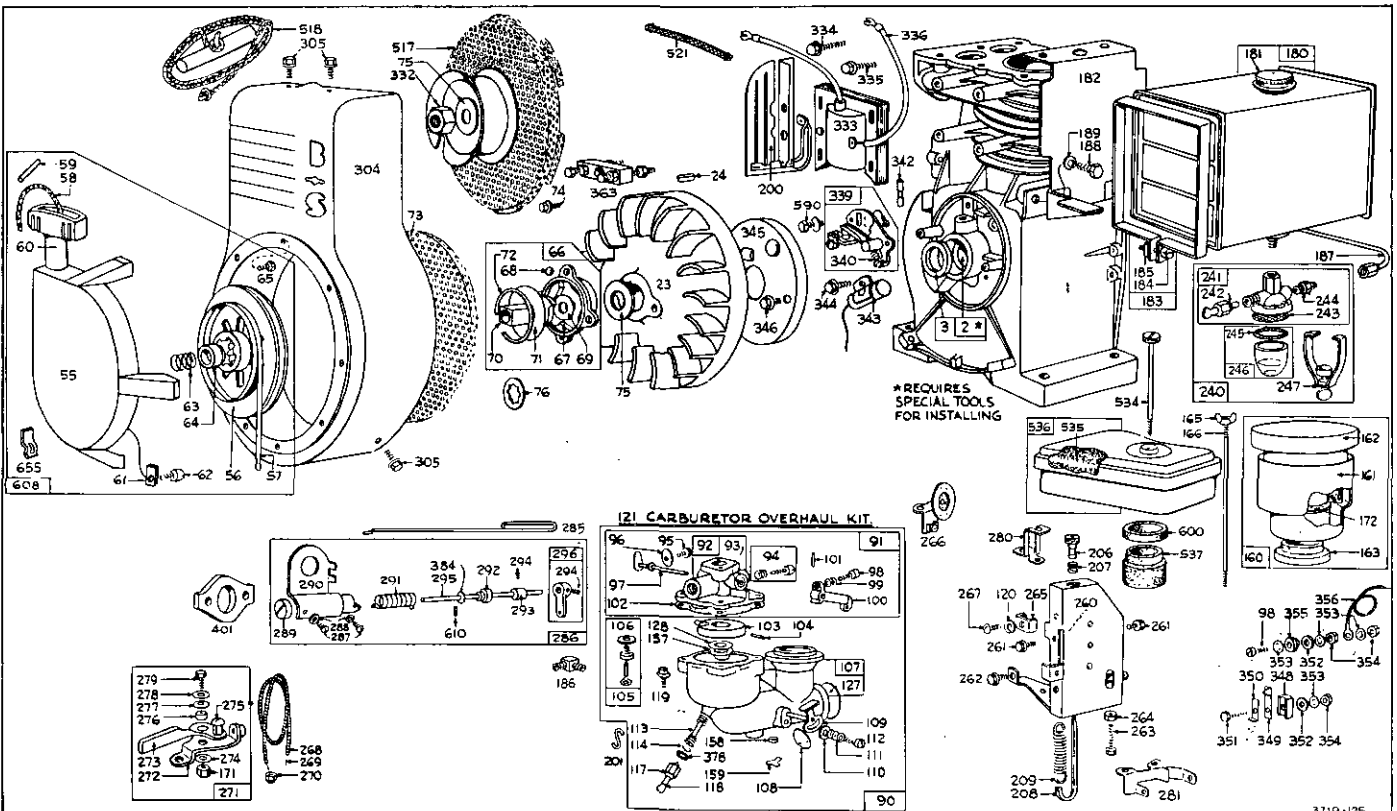


140300 to 140457



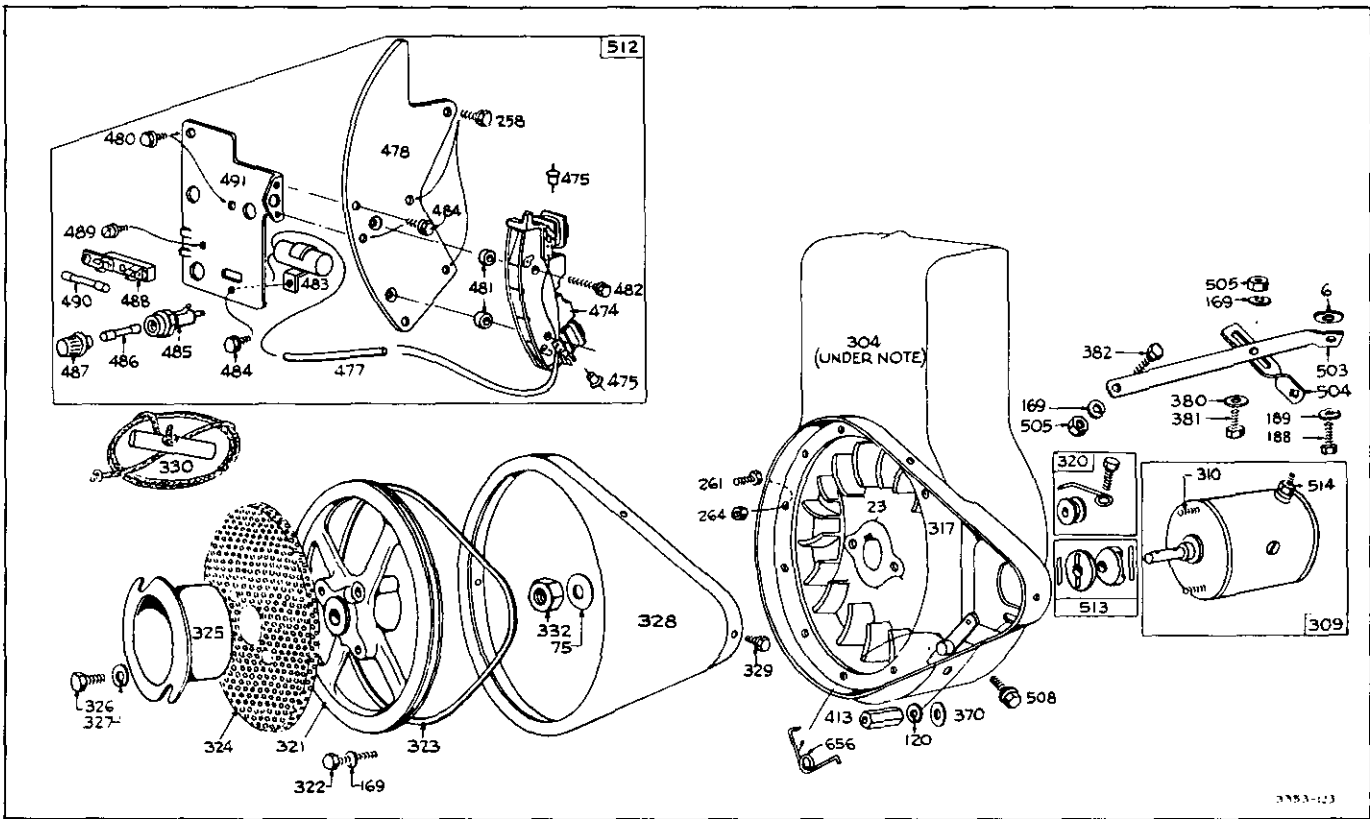
CYLINDER, PISTON, CONNECTING ROD AND CRANKSHAFT PARTS

Assemblies include all parts shown in frames.



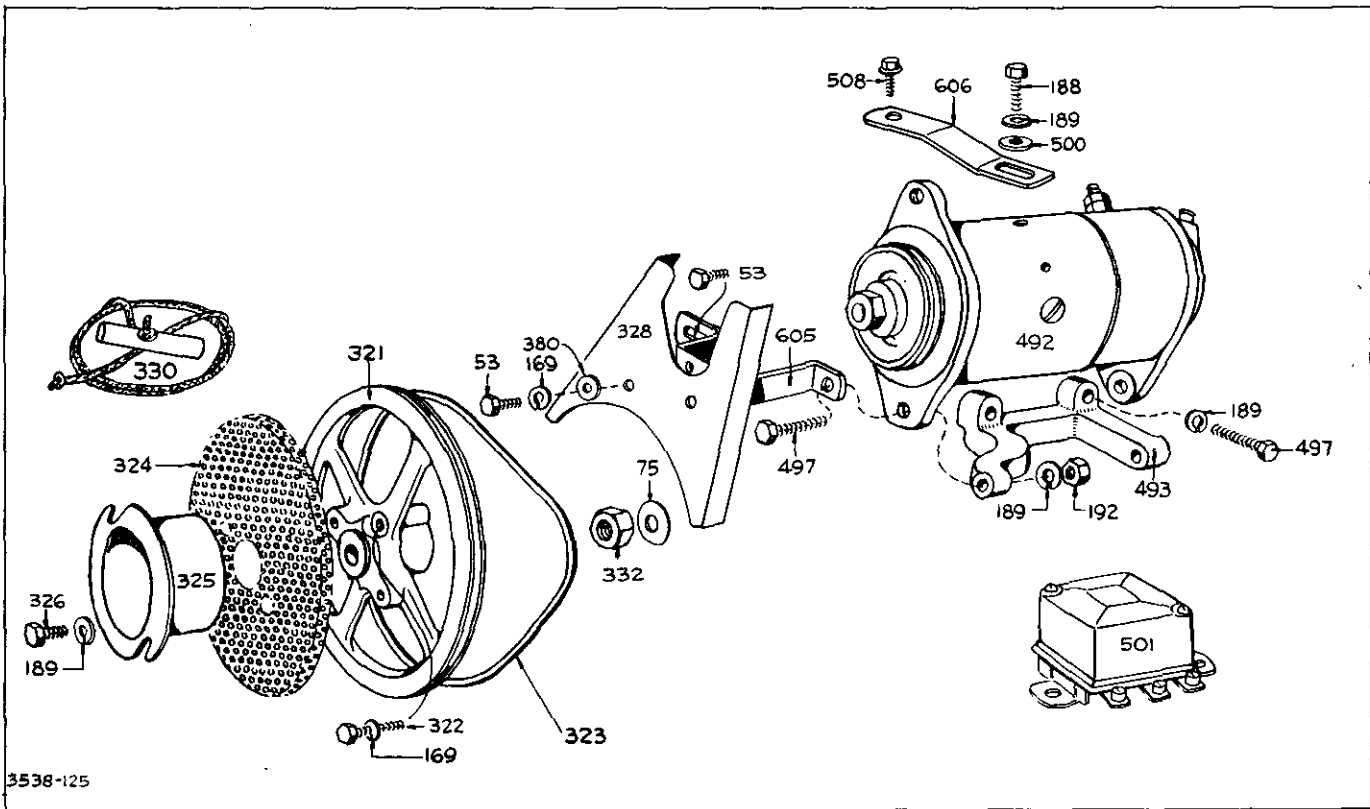
FUEL SYSTEM, MAGNETO AND BLOWER HOUSING PARTS

Assemblies include all parts shown in frames.



STARTER PARTS

Assemblies include all parts shown in frames.



STARTER PARTS

Assemblies include all parts shown in frames.

140300 to 140457

REF. NO.	PART NO.	DESCRIPTION	REF. NO.	PART NO.	DESCRIPTION	REF. NO.	PART NO.	DESCRIPTION
1	297723	Cylinder Assembly Note: 297913 Cylinder Assembly Used on type Nos. 0129, 0151, 0152, 0154, 0155, 0157, 0158, 0159, 0162, 0164, 0167, 500044.			Used on type Nos. 0125, 0126, 0158, 0159, 500035, 500049. 260729 Crankshaft Used on type No. 0162. 260865 Crankshaft Used on type No. 0164.			Piston, Comp., Top, Standard 211037 Ring-Pstn., Comp., Center, Std. 210602 Ring-Piston, Oil, Standard
2	295962	Bushing-Cylinder Note: Requires special tools for installation.	17	29530	Bearing-Ball			
3	294606	Seal-Oil	18	295868	Cover Assy.-Crankcase	297705		Ring Set-Piston-.010" O.S. Consists of: 211241 Ring-Piston, Comp., Top, .010" O.S. 211244 Ring-Pstn., Comp., Center, .010" O.S. 211247 Ring-Piston, Oil, .010" O.S.
4	221001	Plate-Cylinder Baffle	Note:	295876	Cover Assembly-Crankcase			
5	210578	Head-Cylinder			Used on type Nos. 0015, 500031.			
6	22963	Washer-Plain			295958 Cover Assembly-Crankcase Used on type Nos. 0035, 0115, 0116, 0128, 0129, 0131, 0133, 0134, 0135, 0137, 0138, 0139, 0141, 0142, 0145, 0149, 0151, 0152, 0154, 0155, 0161, 0164, 0166, 0167, 0168, 0169, 0171, 0173, 500015, 500016, 500017, 500019, 500026, 500029, 500030, 500032, 500034, 500037, 500038, 500039, 500040, 500041, 500044, 500045, 500046, 500047, 500048.			
7	*270340	Gasket-Cylinder Head Note: Two No. 270340 Cylinder Head Gaskets are used on type Nos. 0135, 0148, 0166.			296075 Cover Assembly-Crankcase Used on type Nos. 0049, 0120, 0121, 0132, 0140, 0144, 0150, 0153, 0157, 0163, 0170, 500020, 500022, 500024, 500027, 500028, 500033, 500036, 500043. 296184 Cover Assembly-Crankcase Used on type Nos. 0125, 0126, 0158, 0159, 500035, 500049. 296321 Cover Assembly-Crankcase Used on type No. 0162.			
8	294948	Breather Assembly			19 295964			297706 Ring Set-Piston-.020" O.S. Consists of: 211242 Ring-Piston, Comp., Top, .020" O.S. 211245 Ring-Pstn., Comp., Center, .020" O.S. 211248 Ring-Piston, Oil, .020" O.S.
9	*27803	Gasket-Valve Cover			Note: Requires special tools for installation.			
10	93394	Screw-Breather Mtg. Sem			20 298423			
11	67148	Tube-Breather			21 66768			
12	*27750	Gasket-Crankcase Cover-1/64" thick			22 93205			
	*27876	Gasket-Crankcase Cover-.005" thick			23 295214			
	*27877	Gasket-Crankcase Cover-.009" thick			Note: 296335 Flywheel-Magneto Used on type Nos. 500014, 500019, 500024.			
13	93210	Screw-Cylinder Head (2-9/32" long)			24 61760			
14	93211	Screw-Cylinder Head (2-21/32" long)			25 297692			
15	91084	Plug-Oil Drain			297693			
16	260315	Crankshaft Note: 260358 Crankshaft Used on type Nos. 0115, 0116, 0127, 0128, 500015, 500016, 500017, 500019, 500026, 500040. 260359 Crankshaft Used on type Nos. 0129, 0133, 0167, 500029, 500034, 500039, 500044. 260389 Crankshaft Used on type Nos. 0049, 0120, 0121, 0132, 0140, 0144, 0150, 0153, 0157, 0163, 0170, 500020, 500021, 500022, 500024, 500027, 500028, 500033, 500036, 500043. 260423 Crankshaft Used on type Nos. 0166, 0173, 500037. 260425 Crankshaft Used on type Nos. 0035, 0131, 0134, 0135, 0137, 0138, 0139, 0141, 0142, 0145, 0149, 0151, 0152, 0154, 0155, 0161, 0168, 0169, 0171, 500030, 500032, 500038, 500041, 500045, 500046, 500047, 500048. 260472 Crankshaft			297694			
					297695			
					297815			
					26			
								27 68546 Lock-Piston Pin 28 295840 Pin Assembly-Standard 295841 Pin Assy. -.005" O.S. 29 295838 Rod Assy.-Connecting 30 220837 Dipper-Connecting Rod 31 220811 Lock-Conn. Rod Screw 32 92659 Screw-Connecting Rod 33 230385 Valve-Exhaust Note: 260444 Valve-Exhaust Used on type Nos. 0129, 0151, 0152, 0154, 0155, 0157, 0158, 0159, 0162, 0164, 0166, 0167, 500029, 500044. 34 230386 Valve-Intake Note: 230385 Valve-Intake Used on type Nos. 0129,

* Included in Gasket Set-Part No. 295970.

140300 to 140457

REF. NO.	PART NO.	DESCRIPTION	REF. NO.	PART NO.	DESCRIPTION	REF. NO.	PART NO.	DESCRIPTION
		0151, 0152, 0154, 0155, 0157, 0158, 0159, 0162, 0164, 0166, 0167, 500029, 500044.	69	66718	Washer—Starter Clutch, Thrust			Used on type Nos. 0152, 0154.
35	65906	Spring—Intake Valve	70	296916	Ratchet—Rewind Starter Clutch	91	295875	Body Assy.—Upper Carburetor (Used on Model 140300 Series)
36	65906	Spring—Exhaust Valve	71	221301	Washer—Retainer (with flange) (Used in clutches with square shaft ratchet)	Note:	295531	Body Assembly—Upper Carburetor (Used on Model 140400 Series)
	Note:	26828 Spring—Exhaust Valve		Note:	220575 Washer—Retainer			Used in clutches with 7 point ratchet.
		Used on type Nos. 0129, 0151, 0152, 0154, 0155, 0157, 0158, 0159, 0162, 0164, 0166, 0167, 500029, 500044.	72	26032	Ring—Clutch Retainer	92	99634	Body—Upper Carburetor
40	230477	Retainer—Valve Spring	73	220823	Screen—Rewind Starter	93	23230	Bushing—Throttle Shaft
	Note:	292260 Rotocap—Exhaust Valve	74	93042	Screw—Rotating Screen Mounting Sem	94	*292681	Valve Assembly—Carburetor Idle
		Used on type Nos. 0129, 0151, 0152, 0154, 0155, 0157, 0158, 0159, 0162, 0164, 0166, 0167, 500029, 500044.	75	220865	Washer—Spring	95	93038	Screw—Throttle and Choke Valve Mtg. Sem
43	230476	Pin—Valve Spring Ret.	76	66688	Washer—Ratchet Sealing (Used with 7 point shank ratchet)	96	22036	Valve—Throttle
	Note:	230570 Pin—Ex. Valve Rotocap Retainer	79	296179	Case Assembly—Gear	97	295464	Shaft and Lever—Throttle (Used on Model 140300 Series)
		230569 Retainer—Exhaust Valve Rotocap	80	27884	Gasket—Gear Case to Crankcase Cover			295448 Shaft and Lever—Throttle (Used on Model 140400 Series)
		Used on type Nos. 0129, 0151, 0152, 0154, 0155, 0157, 0158, 0159, 0162, 0164, 0166, 0167, 500029, 500044.	81	220234	Lock—Gear Case Mounting Screw	98	91920	Screw—Machine, Fil. Hd. 8-32 x 5/8"
45	260125	Tappet—Valve	82	92502	Screw—Cap	99	26157	Spring—Throttle Adjustment
46	210728	Gear—Cam	83	296052	Shaft Assembly—Drive	100	295804	Stop—Throttle (Used on Model 140300 Series)
50	210756	Elbow—Intake		Note:	296298 Shaft Assy.—Drive			Used on type Nos. 0144, 500043.
51	*68987	Gasket—Intake Elbow	84	92617	Plug—Breather			Note: 61967 Stop—Throttle (Used on Model 140400 Series)
52	*27828	Gasket—Intake Elbow Mtg.	85	91386	Screw—Gear Case Cover Mounting	101	93043	Pin—Throttle Stop and Governor Shaft
53	93329	Screw—Sem	86	296053	Cover Assy.—Gear Case Seal—Oil	102	27917	Gasket—Carburetor Body
	Note:	93158 Screw—Sem	87	298423	Gasket—Gear Case Cover	103	293477	Float—Carburetor
		Used to mount Belt Guard to Bracket on type No. 0152.	88	27328	Plug—Oil Drain	104	*23114	Pin—Float Hinge
54	93208	Screw—Intake Elbow Mounting Sem	89	91488	Carburetor Assembly (Manual Choke)	105	*293478	Valve and Seat—Fuel Inlet
55	295272	Housing—Rewind Starter	90	295873	Carburetor No. 295873 is used on Model 140300 Series engines except as follows:	106	68877	Gasket—Fuel Inlet Valve Seat
56	295871	Pulley—Rewind Starter		Note:	295884 Carburetor Assy. (Choke-A-Matic)	107	295874	Body Assembly—Lower Carburetor
57	294303	Spring—Rewind Starter			Used on type Nos. 0134, 0165.		Note:	295885 Body Assembly—Lower Carburetor (Choke-A-Matic)
58	66564	Rope—Rewind Starter (63" long)			295945 Carburetor Assy. (Manual Choke)			Used on type Nos. 0134, 0165.
	Note:	If longer rope is needed, order No. 66574 and cut to required length.			Used on type Nos. 0015, 0035, 0049, 0136, 0139, 0144, 0149, 0161, 0168, 0169, 0171, 0172, 500031, 500032, 500033, 500041, 500042, 500043.	108	220897	Valve—Choke
59	230228	Pin—Starter Grip			296183 Carburetor Assy. (Mechanical Governor—Manual Choke)		Note:	22050 Valve—Choke
60	66728	Grip—Starter Rope			Used on Model 140400 Series)			Used on type Nos. 0015, 0035, 0049, 0134, 0136, 0139, 0144, 0149, 0161, 0165, 0168, 0169, 0171, 0172, 500031, 500032, 500033, 500041, 500042, 500043.
61	66918	Bumper—Starter Pulley			296555 Carburetor Assy. (Kerosene)	109	294874	Shaft and Lever—Choke (Manual)
62	93254	Screw—Pulley Bumper Mounting Sem			Used on type Nos. 0135, 0148, 0166.		Note:	295574 Shaft—Assembly—Choke (Choke-A-Matic)
63	260414	Spring—Ratchet			297321 Carburetor Assy. (L. P. Gas)			Used on type Nos. 0134, 0165.
64	230543	Adapter—Ratchet Spring						
65	93163	Screw—Rewind Starter Housing Mounting Sem						
66	295684	Clutch Assy.—Rewind Starter						
67	210400	Housing—Rewind Starter Clutch						
68	63770	Bail—Clutch						

◆ Included in Carburetor Overhaul Kit—Part No. 291691.

140300 to 140457

REF. NO.	PART NO.	DESCRIPTION	REF. NO.	PART NO.	DESCRIPTION	REF. NO.	PART NO.	DESCRIPTION
		295702 Shaft Assembly—Choke (Manual) Used on type Nos. 0015, 0035, 0049, 0136, 0139, 0144, 0149, 0161, 0168, 0169, 0171, 0172, 500031, 500032, 500033, 500041, 500042, 500043.			Used on type Nos. 0131, 500037, 500045.			92655 Tee The above fuel pipes and fitting are used on type Nos. 0135, 0148, 0166.
110	220899	Washer—Choke Lever			291513 Tank Assembly—Combination Fuel Uses: 22907 Support—Upper Fuel Tank 220863 Washer—Spacer (Used between one boss on cyl. head and tank bracket)	188	92272	Screw—Cap, Hex. Hd.—5/16-18 x 3/4"
	Note:	22062 Washer—Choke Lever Used on type Nos. 0015, 0035, 0049, 0136, 0139, 0144, 0149, 0161, 0168, 0171, 0172, 500031, 500032, 500033, 500041, 500042, 500043.	181	69221	Cap—Fuel Tank	189	90366	Washer—Lock, 5/16 x 1/8 x 1/16"
111	26229	Spring—Choke Lever	182	220858	Bracket—Fuel Tank	192	91397	Nut—Hex.—5/16-18
	Note:	260396 Spring—Choke Return (Choke-A-Matic) Used on type Nos. 0134, 0165.	Note:	296511 Brkt.—Fuel Tank Used on type Nos. 500013, 500014, 500019, 500024.	200	295844	Blade—Governor	
112	23270	Screw—Choke Lever			201	260387	Link—Governor (Used on Model 140400 Series)	
113	23222	Nozzle—Carburetor			Note:	260456 Link—Governor (Used on Model 140400 Series)		
114	68887	Packing—Needle Valve			202	260388	Link—Governor (Used on Model 140300 Series)	
117	*23227	Nut—Needle Valve Pkng.			203	221052	Crank—Bell	
118	230005	Valve—Needle	184	91257	Screw—Machine, Fil Hd.—1/4-20 x 1-1/2"	204	230117	Collar
	Note:	292088 Valve—Needle Used on type Nos. 0135, 0148, 0166.	185	90970	Nut—Square—1/4-20	205	92722	Screw—Bell Crank Mtg.
119	93347	Screw—Throttle Housing Mounting Sem	186	53029	Connector—Fuel Pipe	206	230533	Nut—Gov. Control Rod (Used on Model 140300 Series)
120	92290	Washer—Lock—No. 10 x 1/16" x 3/64"			Note:	230118 Connector Used on type Nos. 0144, 0149, 0169, 0171, 500043.		
121	291691	Carburetor Overhaul Kit	187	295467	Pipe—Fuel (Used on Model 140300 Series)	Note:	230149 Nut—Governor Control Rod Used on Model 140400 Series and on type Nos. 0015, 0035, 0049, 500031, 500032, 500033.	
127	220352	Plug—Welch			Note:	230580 Guide—Stop 230253 Stop—Control Rod (7/8" long) 93266 Fastener Used on type No. 0157.		
128	210811	Venturi—Carburetor			Used on Model 140400 Series and on type Nos. 0015, 0035, 0049, 0115, 0116, 0120, 0121, 0125, 0126, 0127, 0128, 0129, 0131, 0132, 0133, 0134, 0137, 0139, 0140, 0141, 0142, 0145, 0150, 0151, 0153, 0155, 0157, 0161, 0162, 0163, 0164, 0167, 0168, 0170, 0173, 500015, 500016, 500020, 500021, 500027, 500028, 500030, 500031, 500032, 500033, 500036, 500037, 500038, 500041, 500045, 500046.	207	26855	Spring—Gov. Control Rod
157	27840	Gasket—Venturi			295901 Pipe—Fuel Used on Model 140400 Series and on type Nos. 0015, 0035, 0049, 0115, 0116, 0120, 0121, 0125, 0126, 0127, 0128, 0129, 0131, 0132, 0133, 0134, 0137, 0139, 0140, 0141, 0142, 0145, 0150, 0151, 0153, 0155, 0157, 0161, 0162, 0163, 0164, 0167, 0168, 0170, 0173, 500015, 500016, 500020, 500021, 500027, 500028, 500030, 500031, 500032, 500033, 500036, 500037, 500038, 500041, 500045, 500046.	208	230460	Rod—Governor Control (Used on Model 140300 Series only)
158	27590	Filter—Carburetor Drain			296004 Pipe—Fuel (Flexible) Used on type Nos. 0144, 0169, 0171, 500043.	Note:	230499 Rod—Gov. Control Used on type Nos. 0015, 0035, 0049, 500031, 500032, 500033.	
159	220521	Retainer—Carburetor Drain Filter			296469 Pipe—Fuel Used on type Nos. 500013, 500014, 500019, 500024.	230559 Rod—Gov. Control (Used on Model 140400 Series)		
160	294868	Cleaner Assembly—Air			296531 Pipe—Fuel (carburetor to filter)	209	260321	Spring—Governor (Used on Model 140300 Series)
161	293991	Bowl—Air Cleaner			89248 Pipe—Fuel (between filters)	Note:	260421 Spring—Governor Used on type Nos. 0152, 0154.	
162	294863	Cover and Filter—Air Cleaner				260546	Spring—Mech. Governor (Used on Model 140400 Series)	
163	*27660	Gasket—Air				219	296688	Governor Housing and Gear Assembly
165	92067	Nut—Wing				220	221361	Washer—Thrust
166	63949	Stud—Air Cleaner						
	Note:	93323 Screw—Air Cleaner Used on type No. 0132.						
169	90832	Washer—Lock, 1/4" x 3/32" x 5/64"						
171	92129	Nut—Hex.—1/4-28						
172	27795	Gasket—Air Cleaner						
180	290816	Tank Assy.—Fuel (4 quart)						
	Note:	Tanks used on type Nos. 0112, 0154, 500012, 500017, 500022 are supplied by the equipment manufacturer.						
		291488 Tank Assembly—Fuel (6 quart) Uses: 22907 Support—Upper Fuel Tank						

* Included in Gasket Set—Part No. 295970.

† Included in Carburetor Overhaul Kit—Part No. 295938.

140300 to 140457

REF. NO.	PART NO.	DESCRIPTION	REF. NO.	PART NO.	DESCRIPTION	REF. NO.	PART NO.	DESCRIPTION
221	230177	Cup—Governor			Used on type Nos. 0015, 0035, 0049, 0136, 0139, 0144, 0149, 0161, 0168, 0169, 0171, 0172, 500031, 500032, 500033, 500041, 500042, 500043.	296	291044	Lever Assy.—Thermostat
222	221144	Bracket—Mech. Governor				300	294599	Muffler—Exhaust
223	221145	Lever—Governor Control					Note: 89953	Muffler—Exhaust
224	91841	Screw—Machine, Fil. Hd.—6-32 x 1/4"						Used on type Nos. 0151, 0155, 0164.
225	230526	Shaft—Governor Lever				301	91245	Nipple—Exhaust
226	220381	Follower—Gov. Crank	261	93105	Screw—Sem	302	91242	Locknut—Muffler and Elbow
227	296087	Lever Assy.—Governor	262	93394	Screw—Sem (Speed Control Hsg. Bracket to Carb.) (Used on Model 140300 Series only)	303	91246	Elbow—Muffler—45 degree
228	93100	Screw—Governor Lever					Note: 91219	Elbow—Muffler, 45 degree, Street
229	220680	Washer—Thrust	263	93223	Screw—Stop			Used on type Nos. 0144, 0155, 0164, 0172, 500043.
230	22826	Washer—Spacer	264	90355	Nut—Hex.—10-32			91464 Elbow—Muffler, 90 degree, Street
231	93064	Screw—Governor Housing to Crankcase Cover Mounting Sem	265	22372	Clamp—Casing			Used on type Nos. 0139, 0151, 0158, 0159, 0165, 0171, 500041.
232	260178	Spring—Governor Link	266	290062	Control—Throttle			Housing—Blower
240	99910	Filter Assembly—Fuel	267	90080	Screw—Machine, Rd. Hd.—10-32 x 7/16"			Note: 296012
	Note: 293964	Filter Assy.—Fuel				268	65616	Casing—Control Wire—72" long
		Used on type Nos. 500013, 500014, 500019, 500024.					Note:	When ordering this blower housing, order No. 297415 screw and nut kit also, to remount the belt guard.
		295984 Filter Assy.—Fuel						Used on type Nos. 0154, 500013.
		Uses: 91635 Nipple (To connect filter to tank)	269	26633	Wire—Control—78" long			296454 Housing—Blower
		Used on type Nos. 0144, 0149, 0171, 500043.						When ordering this blower housing, order No. 297415 screw and nut kit also, to remount the belt guard.
		297563 Outlet—Fuel Tank (Less Filter)						Used on type Nos. 500014, 500019, 500024.
		298090 Filter—Fuel (In Fuel Pipe)	270	63426	Locknut—Control Wire Casing			297188 Housing—Blower
		Used on type No. 0169.	271	290568	Lever Assy.—Control			Used on type No. 0152.
241	99909	Cover Assembly—Fuel	272	290584	Base—Control Wire			297189 Housing—Blower
	Note: 293966	Cover Assembly—Fuel Filter	273	290642	Lever—Control			Used on type Nos. 0112, 500012, 500017, 500022.
		Used on type Nos. 500013, 500014, 500019, 500024.	274	91237	Washer—Lock—1/4 x 3/32 x 5/64"			Screw—Sem
		296005 Cover Assembly—Fuel Filter	275	92287	Screw—Machine, Rd. Hd.—10-32 x 1/4"			Note: 92666
		Used on type Nos. 0144, 0149, 0171, 500043.	276	22834	Washer—Spacer	305	93158	Screw—Cap, Hex. Hd.—1/4-20 x 1/2"
242	295913	Valve—Fuel Shut-Off	277	22368	Washer—Control Lever			92778 Washer—Lock—Shakeproof
	Note: 293934	Valve—Fuel Shut-Off	278	22725	Washer—Control Lever			Used to mount Blower Housing on type No. 0162.
		Used on type No. 0169.	279	92306	Screw—Cap, Hex. Hd.—1/4-28 x 5/8"			Shield—Cylinder
243	22547	Screen—Fuel Filter	280	221084	Strap—Speed Control	306	221005	Screw—Cylinder Shield Mounting Sem
244	53029	Connector—Fuel Pipe	281	221090	Bracket—Top Speed Control Mounting (Used on Model 140300 Series)	307	93163	Cover—Cylinder Head
	Note: 63377	Connector					Note: 221153	Cover—Cyl. Head
		Used on type Nos. 500013, 500014, 500019, 500024.	285	26684	Link—Automatic Choke			Used on type No. 500039.
		230318 Connector—Fuel Pipe (plastic)	286	296838	Thermostat Assembly	308	220824	Motor—Electric Starter (12 volt)
		Used on type Nos. 0144, 0149, 0169, 0171, 500043.	287	90050	Screw—Machine, Rd. Hd.—6-32 x 1/4"			(Electric Auto-Lite No. Med 4001)
245	*68477	Gasket—Fuel Filter Bowl	288	90362	Washer—Lock—No. 6 x 3/64 x 1/32"			For Service on these motors see your nearest "Authorized Auto-Lite Service Station".
246	298683	Bowl—Fuel Filter	289	23886	Support—Thermostat—Shaft (outer)	310	93268	Bolt—Case
247	99665	Yoke—Fuel Filter	290	296837	Bracket and Tube	317	296013	Bracket—Starter
258	93062	Screw—Sem	291	26594	Thermostat	320	297162	Pulley—Idler
260	295756	Housing—Speed Control	292	23885	Support—Thermostat Shaft (inner)	321	210961	Pulley—Electric Starter
	Note: 296039	Housing—Speed Control	293	23884	Stop—Thermostat Shaft	321A	210899	Pulley—Vee Belt
			294	92678	Screw—Set, Socket Head—6-32 x 5/16"			
			295	230624	Shaft—Thermostat			

* Included in Gasket Set—Part No. 295970.

140300 to 140457

REF. NO.	PART NO.	DESCRIPTION	REF. NO.	PART NO.	DESCRIPTION	REF. NO.	PART NO.	DESCRIPTION
322	90931	Screw-Cap, Hex. Hd. - 1/4-20 x 2-1/4"	350	221078	Clamp-Switch Blade	500	91325	Washer-Plain
	Note:	92636 Screw-Cap, Hex. Hd. - 1/4-20 x 2"	351	93218	Screw-Stop Switch	501	295924	Regulator-Voltage (Delco-Remy No. 1118988)
		Used on type Nos. 500012, 500017, 500022.	352	66068	Washer-Insulating	502	93107	Screw-Sem
323	67318	Belt-Vee	353	92791	Washer-Lock-Shakeproof	503	221205	Strap-Starter (long)
323A	68588	Belt-Vee	354	90576	Nut-Hex. -8-32	504	221206	Strap-Starter (short)
		Used after Serial No. 6503171.	355	66554	Collar-Insulating	505	92278	Nut-Hex. -1/4-20
	Note:	66828 Belt-Vee	356	295413	Wire-Ground	506	90072	Screw-Machine, Rd. Hd. -8-32 x 5/8"
		Used before Serial No. 6503181.	357	91540	Key-Pulley	507	66895	Insulator
		67708 Belt-Vee	358	295970	Gasket Set		Note:	66935 Insulator
		Used on type No. 0152.	362	291630	Shield-Spark Plug (with stop switch)			Used on type No. 0162.
324	221067	Screen-Electric Starter	363	19165	Puller-Flywheel (optional accessory)	508	93294	Screw-Blower Housing Mounting Sem
325	221400	Pulley-Rope Starter	370	66432	Washer-Plain	512	296560	Armature and Wiring Assy.
326	92272	Screw-Cap, Hex. Hd. 5/16-18 x 3/4"	378	422032	Washer-Needle Valve	513	296567	Clutch Assembly-Electric Starter
327	93188	Washer-Lock, 5/16 x 3/32 x 5/64"	380	62199	Washer-Plain	514	91700	Nut-Hex. -1/4-20
328	221122	Guard-Belt	381	91419	Screw-Cap, Hex. Hd. - 1/4-20 x 5/8"	517	295423	Pulley-Rope Starter
328A	221447	Guard-Belt	382	92666	Screw-Cap, Hex. Hd. - 1/4-20 x 1/2"		Note:	297887 Pulley-Rope Starter
329	93246	Screw-Belt Guard Mounting Sem	383	89838	Wrench-Spark Plug			Used on type Nos. 0132, 500028.
330	69932	Rope-Starter	384	62899	Washer-Thermostat	518	69932	Rope-Starter
332	92284	Nut	401	211009	Spacer-Carb. Elbow (Used only on engines equipped with automatic choke)	521	297973	Shielding-Ignition Cable
333	296834	Armature Assembly						Used on ignition cables molded into coil.
	Note:	296703 Armature Assy.	406	260894	Spring-Breather Tube	523	295940	Cap Assy.-Oil Filler
		Uses: 295179 Shielding Sleeve-Ignition Cable	411	91474	Plug-Oil Level Hole	524	65304	Gasket-Oil Filler
		66298 Bushing-Ignition Cable		Note:	91249 Plug-Oil Level Hole	525	230553	Pipe-Oil Filler
		92704 Terminal-Ignition Cable	413	230581	Nut-Starter Mounting	534	93323	Screw-Air Cleaner
		Used on type No. 0162.	474	296436	Armature-Flywheel Gen.	535	27987	Element-Air Cleaner
		297320 Armature Assy.	475	296562	Rectifier	536	297036	Cleaner Assembly-Air
		Used on type Nos. 0152, 0154, 0158.	477	67538	Sleeving-Wire	537	27994	Gasket-Air Cleaner
334	93381	Screw-Armature Mtg. Sem	478	296367	Plate-Generator Mtg.	589	93171	Screw-Stop Switch Mounting Sem
335	93381	Screw-Armature Mtg. Sem	480	93163	Screw-Support Plate and Bracket Mounting Sem	590	93226	Screw-Breaker Mounting
336	294735	Cable-Ignition	481	230582	Spacer-Armature Mtg.	600	270003	Spacer-Air Cleaner
337	29693	Plug-Spark (with Gasket)	482	93234	Screw-Armature Mtg. Sem	605	298758	Bracket-Guard
	Note:	291954 Plug-Spark (with Gasket)	483	296266	Capacitor (Condenser)			Used after Serial No. 6503171.
		Used on type No. 0162.	484	93166	Screw-Self Tapping, Hex. Hd., Sem		Note:	297170 Bracket-Guard
		293918 Plug-Spark (with Gasket)	485	296437	Post Assembly-Fuse			Used before Serial No. 6503181.
		Used on type Nos. 0133, 0141, 0151, 0167, 500034.	486	67135	Fuse-3Ag-1-1/2 Amps.			297171 Bracket-Guard (Lower)
338	29806	Gasket-Spark Plug	487	296347	Cap-Fuse Holder			297187-Bracket-Guard
339	29667	Breaker Assy.-Ignition	488	296579	Block Assembly-Fuse			Used on type No. 0152.
340	26018	Spring-Breaker Arm	489	93237	Screw-Fuse Block Mounting Sem			Uses: 91439 Screw To mount Guard Bracket to Blower Housing. (2 used)
342	65704	Plunger-Breaker Point	490	67125	Fuse-3Ag-7-1/2 Amps.	606	221790	Strap-Adjusting
343	29861	Condenser	491	221241	Support-Charger Mtg.			Used after Serial No. 6503171.
344	93370	Screw-Condenser Mounting Sem	492	296028	Starter-Generator (12 volt) (Delco-Remy No. 1101968 and Pulley-Delco-Remy No. 1949358)		Note:	221445 Strap-Adjusting
345	221046	Cover-Breaker Point		Note:	For service on the Starter-Generator and Voltage Regulator see your nearest "Authorized Delco-Remy Service Station of United Motors".			Used before Serial No. 6503181.
346	93014	Screw-Breaker Point Cover Mounting Sem	493	211112	Bracket-Starter	608	295001	Starter Assy.-Rewind
347	221808	Switch-Stop	497	91203	Screw-Cap, Hex. Hd. - 5/16-18 x 1-3/4"	610	93337	Pin-Thermostat Shaft
348	67118	Block-Stop Switch				621	297472	Switch-Stop
349	221077	Blade-Switch				627	221568	Bracket-Stop Switch
						655	221014	Anchor-Spring
						656	260672	Spring-Idler Arm

◆ Included in Carburetor Overhaul Kit-Part No. 291691.