



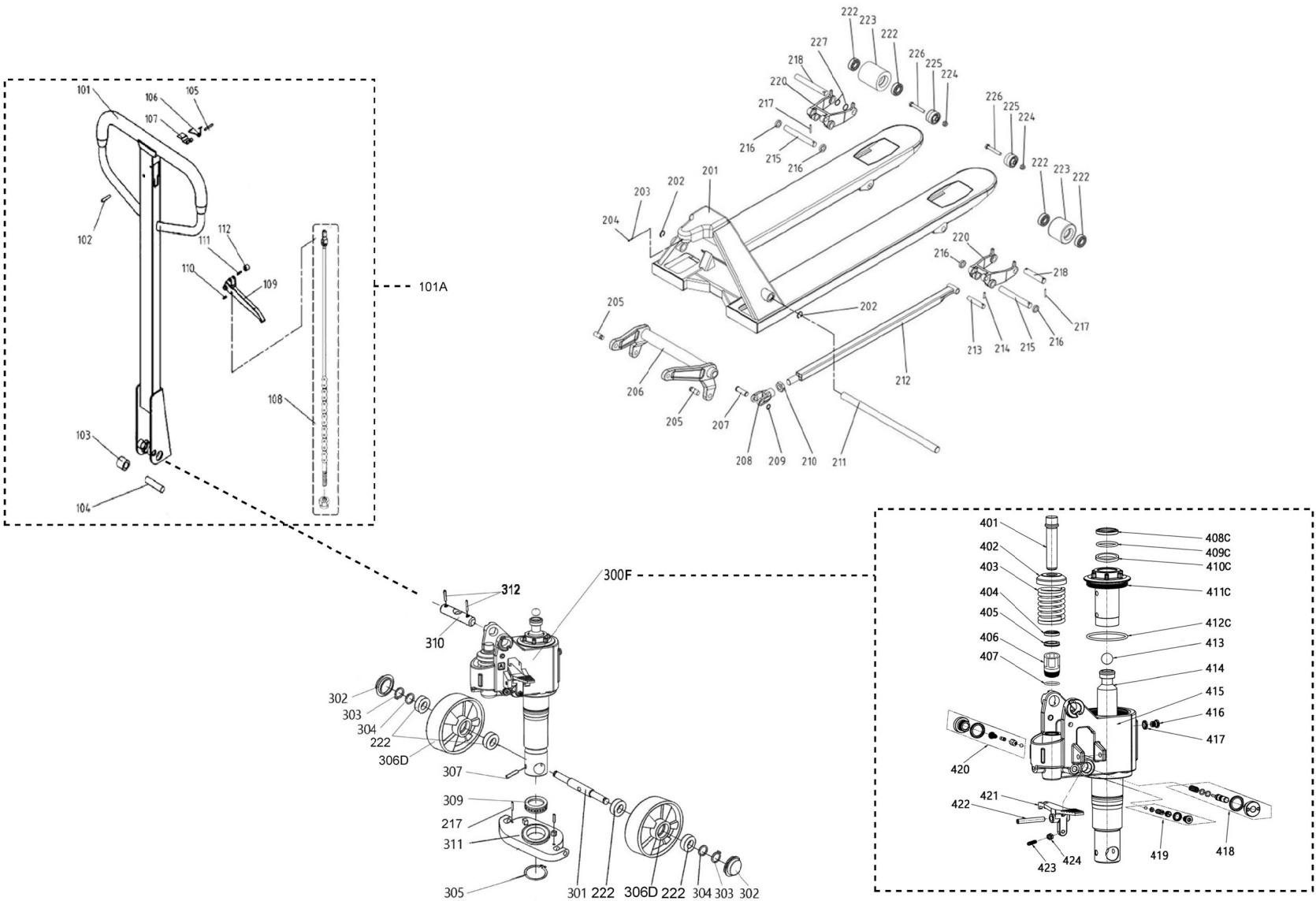
Model no.:	Stock no.:
Serial no.:	
Purchased from:	
Date purchased:	Date in service:

Operating Instructions and Parts Manual JTX-2748A Pallet Truck



JET
427 New Sanford Road
LaVergne, Tennessee 37086
Ph.: 800-274-6848
www.jettools.com

Part No. M-141800
Edition 2 04/2020
Copyright © 2019 JET



10.2 JTX-A Pallet Truck – Parts List

Index No.	Part No.	Description	Size	Qty
101A	PTWA101A	Handle Body Assembly (#101 to 112)		1
101	PTWA101	Handle Body		1
102	PS063000	Roll Pin	Ø6x30 mm	1
103	PTJA103	Pinch Roller		1
104	PTJA104	Pinch Roller Pin		1
105	1225126	Roll Pin	Ø4x30 mm	1
106	PTJA106	Torsion Spring		1
107	PTJA107	Hinge		1
108	PTWA108	Chain Assembly		1
109	PTJA109	Finger Lever		1
110	PTJA110	Roll Pin	Ø4x13 mm	1
111	PTJA111	Roll Pin	Ø4x17 mm	1
112	PTJA112	Roller		1
201	PTJA201	Chassis		1
202	F006028	C-Retaining Ring, Int.	Ø26 mm	2
203	PTJA203	Spring Gasket	Ø6 mm	1
204	TS-1503031	Socket Hd Cap Screw	M6x12	1
205	PTWA205	Connecting Pin (BF Pump)	Ø15.8x41	2
206	PTJA20627	Lifting Yoke for 685mm/27in		1
207	PTJA207	Axle	Ø15.8x52 mm	2
208	PTJA208	Pushrod Fork		2
209	F006044	C-Retaining Ring, Ext	Ø16 mm	2
210	PTJA210	Hex Thin Nut, Fine	M22 mm	2
211	PTJA211-27	Long Axle for 685mm/27in	Ø24.5x608 mm	1
212	PTJA21248	Pushrod (1220mm/48in)		2
213	PTJA213	Axle	Ø15.8x82 mm	2
214	F012099	Roll Pin	Ø5x26 mm	2
215	PTJA215	Load Wheel Frame Axle	Ø19.8x152 mm	2
216	PTJA216	Axle Sleeve		4
217	F012076	Roll Pin	Ø5x30 mm	4
218	PTJA218	Load Wheel Axle	Ø19.8x120 mm	2
220	PTJA220	Load Wheel Frame		2
222	BB-6204VV	Bearing	6204-2RS	8
223	PTWA223	Load Wheel PU (includes #222)	Ø74x93 mm	2
224	TS-1541041	Nylon Lock Hex Nut M10	M10	2
225	PTJA225	Inner Roller		2
226	PTJA226	Hex Cap Screw, Grd C M10x65	M10x65	2
227	PTJA227	Nylon washer		2
300F	PTWA300A	BF Pump Assembly (#401 to 424)		1
301	PTJA301	Wheel Axle		1
302	PTJA302	Dust Cap		1
303	F006047	C-Retaining Ring, Ext 20mm	Ø20 mm	1
304	PTJA304	Nylon washer		1
305	F006082	C-Retaining Ring, Ext 55mm	Ø55 mm	1
306D	PTJA306D	Steer Wheel PU (includes #222)	160x50 mm	2
307	SR2024N-27	Roll Pin	Ø8x45 mm	1
309	BB-51111	Thrust Bearing	51111	1
310	PTWA310	Handle Axle	Ø19.8x98 mm	1
311	PTWA311	Steer Wheel Platform		1
312	GB879-5X35	Roll Pin	Ø5x35 mm	2
401	PTWA401	Small Pump Core		1
402	PTWA402	Spring Cap		1
403	PTWA403	Spring		1
404	PTWA404	Dust Ring *	Ø18x26x4.5/6 mm	1
405	PTWA405	Seal Washer *	Ø18x26x5 mm	1
406	PTWA406	Small Cylinder		1

Index No.	Part No.	Description	Size	Qty
407	PTWA407	Copper Gasket		1
408C	PTWA408	Dust Ring *	Ø35 mm	1
409C	PTWA409	O-Ring *	Ø35 mm	1
410C	PTWA410	Seal Washer *	Ø35 mm	1
411C	PTWA411	Slide Bushing		1
412C	PTWA412	O-Ring *	Ø69 mm	1
413	SB-18MM	Steel Ball	Ø18 mm	1
414	PTWA414	Piston Rod		1
415	PTWA415	Pump Body		1
416	PTWA416	Bolt		2
417	PTWA417	Seal		2
418	PTWA418	Relief Valve Assembly		1
419	PTWA419	Safety Valve Assembly		1
420	PTWA420	Check Valve Assembly		1
421	PTWA421	Lever plate		1
422	PTWA422	Roll Pin		1
423	PTWA423	Slotted Set Screw		1
424	PTWA424	Nut		1
	LM000413	Warning Label (not shown)		1
	JTX2748A-ID	I.D. Label, JTX-2748A (not shown)		1
	JTX2748A-SL	Specification Label, JTX-2748A (not shown)		1
	LM000414	JET Logo Label (not shown)		1
	LM000415	Label – Pallet Truck Instruction (not shown)		1
	LM000416	Label – Release Valve Cleaning (not shown)		1
	PTWA-SK	Seal Kit (includes items marked with *)		