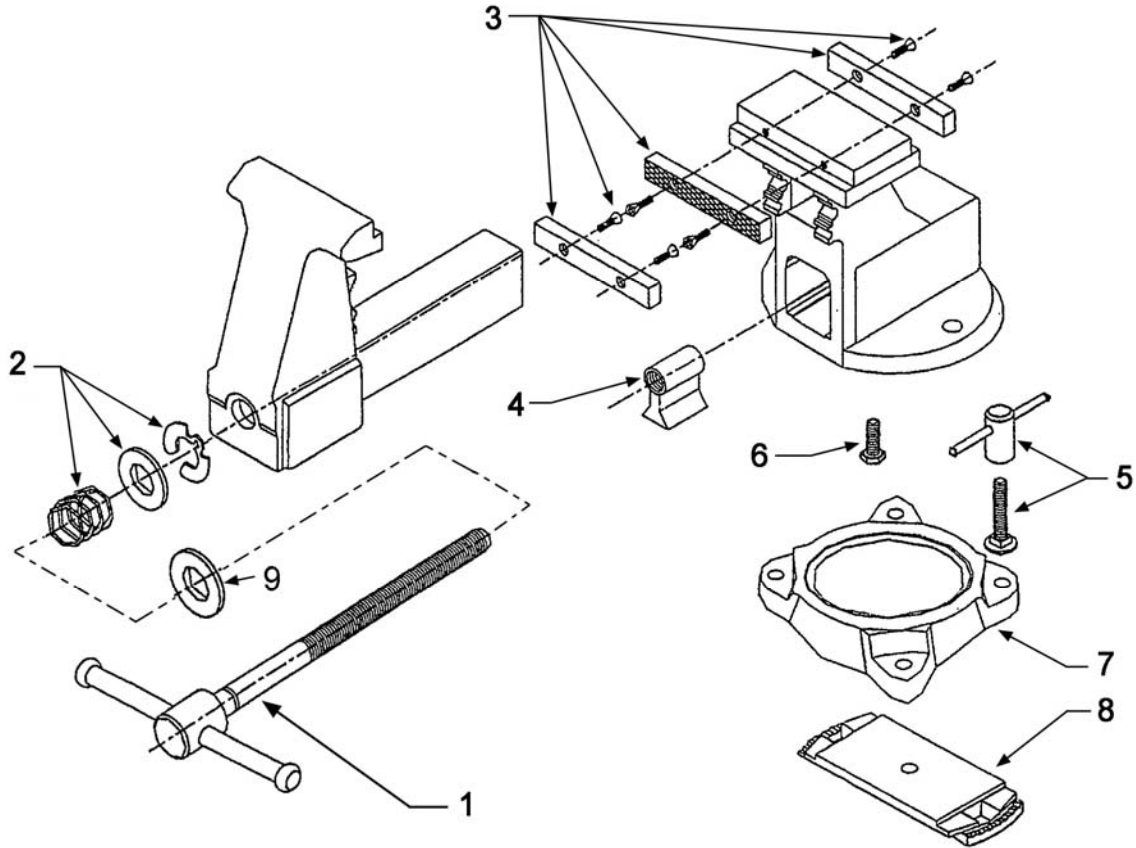




Reversible Vise



Stock No.	Model No.	Jaw width	Spindle and Handle Assembly #1	Spring, Retainer, Washer #2	Jaw Insert Assembly w/Screws #3	Spindle Nut #4	Lock Nut and Bolt Assembly #5	Center Bolt #6	Outer Ring #7	Swivel Locking Ring #8	Thrust Bearing Washer #9
14500	4500	5-1/2"	8700S-21	11105S25	14500S41	11206S14	14800S51	11106S50	11206S03	11206S13	14500S42
14600	4600	6-1/2"	14600S01	14600S02	14600S03	14600S04	14800S51	11106S50	11206S03	11206S13	14600S42
14800	4800	8"	14800S01	14600S02	14800S03	14600S04	14800S51	11106S50	14800S07	14800S08	14800S42

WALTER MEIER (Manufacturing) Inc.

427 New Sanford Road
 LaVergne, Tennessee 37086
 Ph.: 800-274-6848
 www.waltermeier.com

Part No. M-14500

Rev B1 10/2012

Copyright © 2012 Walter Meier (Manufacturing) Inc.