

## Thread Cutter - 0 601 462 734 - 1462 VS

www.powertools-aftersaleservice.com

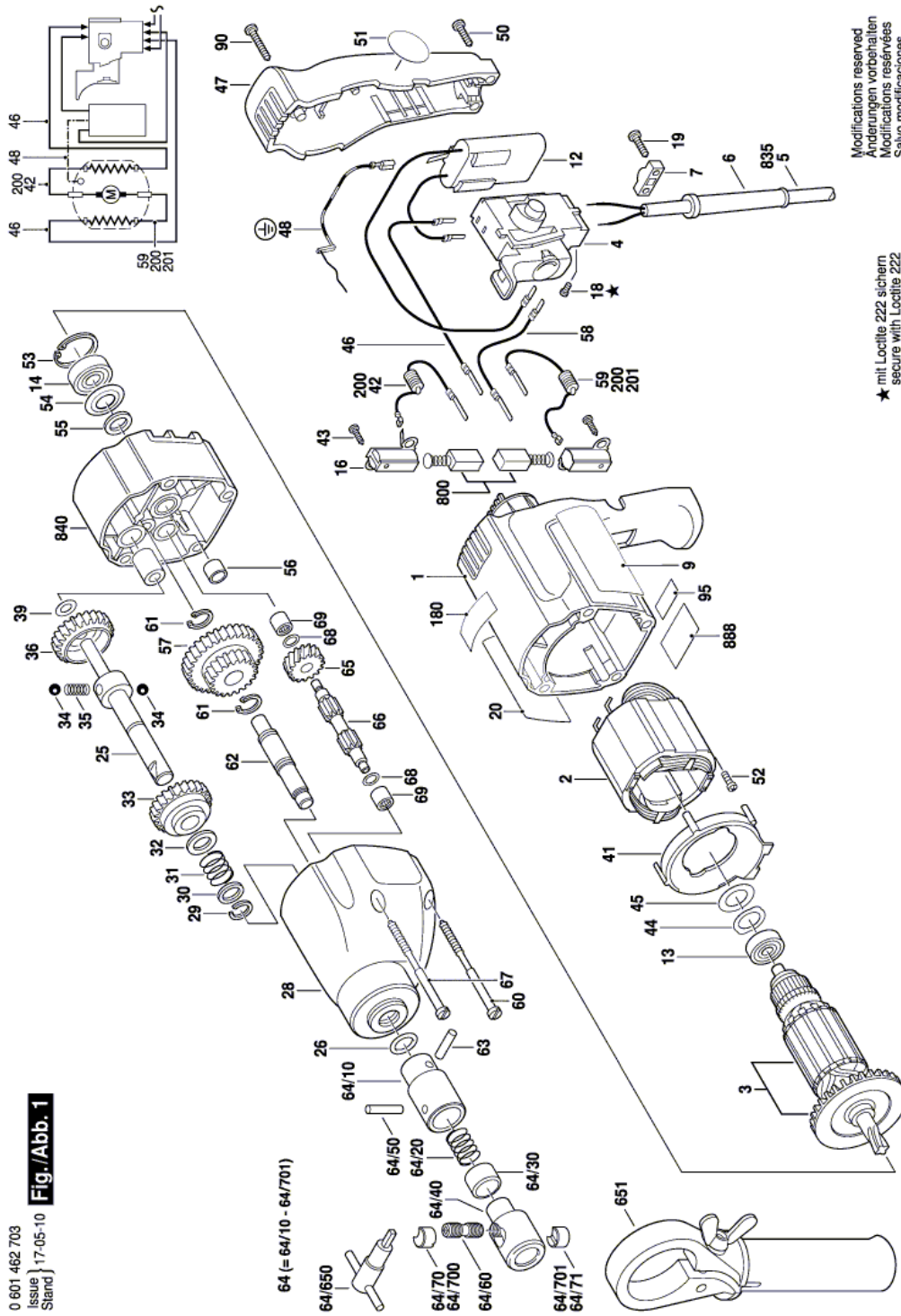


**BOSCH**

Item	Part Number	Description	Illustration	Price	Quantity	Price Group
1	2 605 104 116	Motor Housing BLUE	1	-,-	1	31
2	2 604 220 440	Field 115V	1	-,-	1	32
3	2 604 010 702	Armature 115V	1	-,-	1	43
4	2 607 200 138	On-Off Switch	1	-,-	1	44
5	2 604 460 109	Power supply cord	1	-,-	1	-
6	2 600 703 013	Grommet Ø7,6-Ø8,2x95 MM	1	-,-	1	13
7	2 601 035 001	Cable Clip	1	-,-	1	11
9	3 601 110 012	Sticker	1	-,-	1	-
13	1 900 905 018	Ball Bearing 7x22x7	1	-,-	1	28
14	2 600 905 021	groove ball bearing 9x24x7	1	-,-	1	21
16	2 604 337 003	Brush Holder	1	-,-	2	12
18	2 603 410 001	Socket head cap screw M3x6,5-4.8	1	-,-	2	11
19	2 910 211 019	Tapping Screw DIN 7971-ST3,9x16-F	1	-,-	2	10
20	2 601 110 203	Sticker	1	-,-	1	16
25	3 606 135 000	Drilling Spindle	1	-,-	1	-
26	1 900 210 009	O-Ring 12x2 MM	1	-,-	1	11
28	3 605 190 091	Gear Housing	1	-,-	1	46
29	1 600 224 025	Retaining ring	1	-,-	1	11
30	2 600 101 513	Plain Washer	1	-,-	1	11
31	3 604 616 007	Compression Spring	1	-,-	1	11
32	2 600 101 601	Shim	1	-,-	1	11
33	3 606 316 019	Cylindrical Gear Z=42	1	-,-	1	43
34	1 903 230 011	Ball DIN 5401-6 G28	1	-,-	2	11
35	3 604 610 018	Compression Spring	1	-,-	1	12
36	3 606 316 020	Cylindrical Gear Z=42	1	-,-	1	44
39	2 600 100 505	Shim 0,5 MM	1	-,-	1	11
41	2 601 328 033	Cover Disc	1	-,-	1	15
43	2 603 490 017	Torx Oval-Head Screw 3x10	1	-,-	4	10
44	2 600 150 004	Shim	1	-,-	1	12
45	2 600 101 023	Shim 0,3 MM	1	-,-	1	11
45	2 600 101 022	Shim 0,2 MM	1	-,-	1	11
45	2 600 101 020	Shim 0,5 MM	1	-,-	2	11
46	2 604 448 005	Cable L=130 MM WHITE	1	-,-	1	11

Item	Part Number	Description	Illustration	Price	Quantity	Price Group
47	2 605 132 040	Housing Cover BLUE	1	-,-	1	21
47	2 605 132 047	Housing Cover	1	-,-	1	-
50	2 910 211 021	Tapping Screw DIN 7971-ST3,9x22-F	1	-,-	3	10
51	2 601 110 230	Sticker YELLOW	1	-,-	1	11
52	2 603 435 015	Recessed-Head Screw DIN 7981-ST3,5x9,5-F	1	-,-	4	11
53	2 916 660 008	Spring retaining ring DIN 472-24x1,2 MM	1	-,-	1	11
54	2 600 500 002	Cupped Washer	1	-,-	1	11
55	2 600 108 077	Felt Washer	1	-,-	1	11
56	2 600 400 008	Receptacle	1	-,-	1	11
57	3 606 328 000	Cylindrical Gear Z=33/56	1	-,-	1	46
60	1 603 435 019	Tapping Screw BZ 4,8x78 MM	1	-,-	2	11
61	2 916 650 003	Spring retaining ring DIN 471-12x1-FSt	1	-,-	2	11
62	3 603 124 000	Axle	1	-,-	1	38
63	1 603 110 000	Gripping Wedge Ø 5x18 MM/3,6 MM	1	-,-	1	-
63	1 603 110 003	Gripping Wedge Ø 5x18 MM/3,0 MM	1	-,-	1	20
63	1 603 110 004	Gripping Wedge Ø 5x18 MM/3,3 MM	1	-,-	1	20
64	2 608 573 000	Two-Jaw Drill Juck M4-M12	1	-,-	1	48
64/10	1 600 328 021	Carrier	1	-,-	1	42
64/20	1 604 617 002	Compression Spring	1	-,-	1	14
64/30	1 600 506 000	Spring Retainer	1	-,-	1	21
64/40	1 603 219 006	Carrier	1	-,-	1	48
64/50	1 613 100 012	Straight Pin	1	-,-	1	11
64/60	1 603 502 000	Stud bolt	1	-,-	1	30
64/70	1 600 390 002	Clamping jaws M 12x1,5	1	-,-	1	-
64/71	1 600 390 003	Clamping jaws M 12x1,5 LEFTHAND THREADS	1	-,-	1	-
64/650	2 607 950 012	Chuck Wrench	1	-,-	1	27
64/700	1 600 390 004	Clamping jaws M 12x1,5	1	-,-	1	-
64/701	1 600 390 005	Clamping jaws M 12x1,5 LEFTHAND THREADS	1	-,-	1	-
65	3 606 316 021	Cylindrical Gear Z=28	1	-,-	1	38
66	3 606 337 062	Spindle With Gear Z=11	1	-,-	1	38
67	2 603 435 012	Tapping Screw 79 MM	1	-,-	2	11
68	2 600 100 613	Shim 0,50 MM	1	-,-	2	11
69	9 001 140 359	Needle bearing	1	-,-	2	19
90	2 910 211 022	Tapping Screw DIN 7971-BZ3,9x25	1	-,-	1	10
180	1 601 110 449	Nameplate CAUTION	1	-,-	1	11
200	2 604 448 100	Connecting Cable L=68 MM WHITE	1	-,-	2	10
800	2 604 321 905	Carbon-Brush Set	1	-,-	1	23
840	3 605 700 054	Intermediate Flange	1	-,-	1	49
888	1 601 11A 3H3	Nameplate	1	-,-	1	13

Illustration - Type E



Information subject to change without further notice.