

Shears - 0 601 507 134 - 1507

www.powertools-aftersaleservice.com



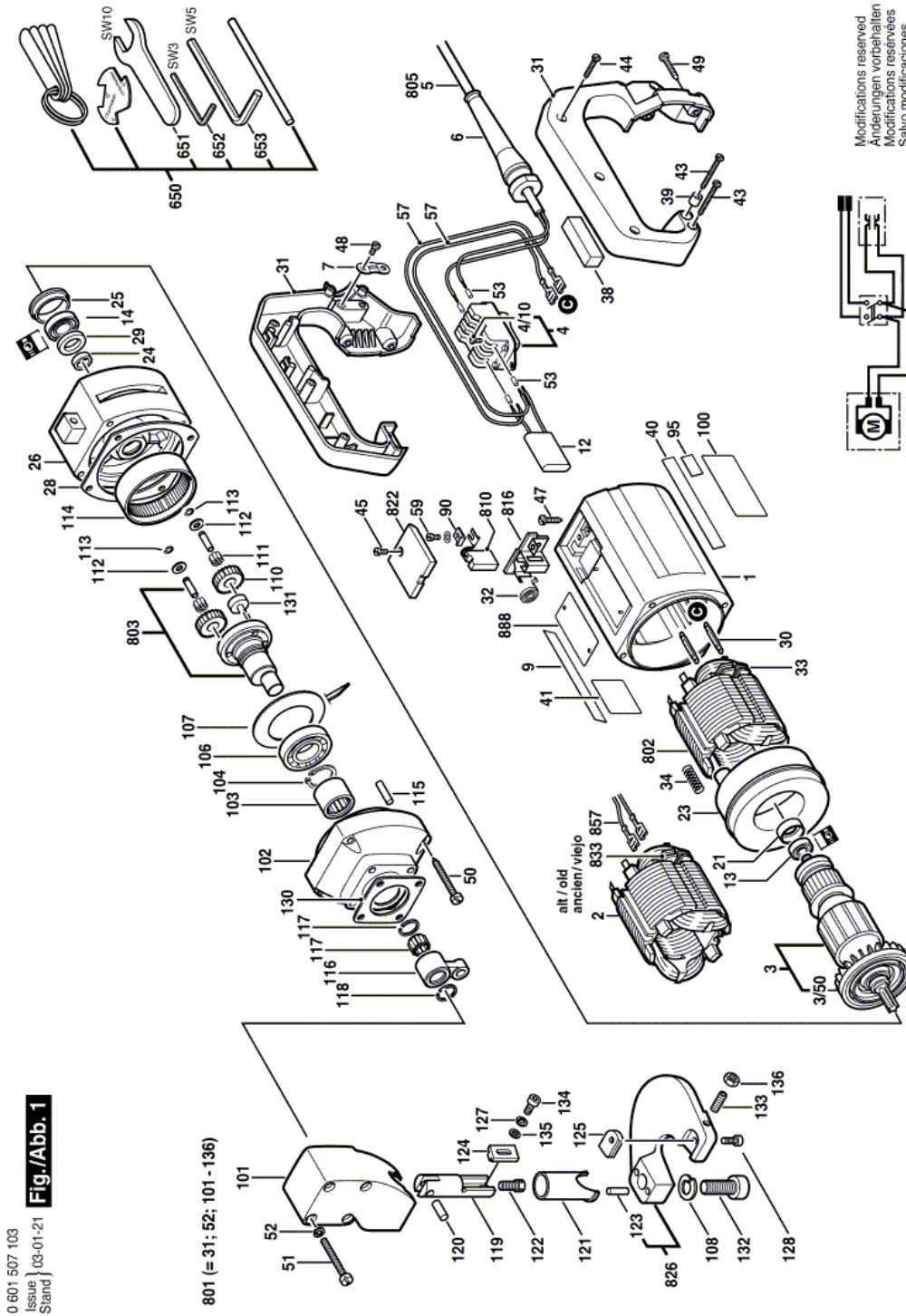
BOSCH

Item	Part Number	Description	Illustration	Price	Quantity	Price Group
	1 3 605 108 145	Motor Housing BLUE	1	-,-	1	32
	3 3 604 010 003	Armature 110-120V	1	-,-	1	53
3/50	1 606 610 122	Fan	1	-,-	1	14
	4 1 607 200 065	Switch	1	-,-	1	33
4/10	2 910 011 082	Socket head cap screw DIN 84-AM3,5x6-5.8	1	-,-	4	10
	5 3 604 461 005	Power supply cord USA/CDN 2,15m 2 x 2,08mm SJ 14/2	1	-,-	1	30
	6 3 600 703 011	Grommet Ø9,2-Ø12x120 MM	1	-,-	1	13
	7 1 601 302 014	Fastening Clamp	1	-,-	1	11
	9 3 601 110 356	Sticker	1	-,-	1	17
	13 2 600 905 032	Ball Bearing 7x19x6	1	-,-	1	17
	14 1 900 905 025	Ball Bearing 9x26x8	1	-,-	1	29
	21 1 600 502 011	Intermediate Ring	1	-,-	1	11
	23 1 600 502 019	Air-Deflector Ring	1	-,-	1	15
	24 1 600 300 090	Intermediate Ring	1	-,-	1	15
	25 1 600 221 003	Intermediate Ring	1	-,-	1	11
	26 3 605 820 017	Intermediate Bearing	1	-,-	1	46
	28 1 601 015 013	Sealing Plate	1	-,-	1	11
	29 1 600 290 016	Rotary shaft lip seal	1	-,-	1	12
	30 1 604 477 001	Blade terminal	1	-,-	2	11
	31 1 605 133 029	Handle BLACK	1	-,-	1	36
	32 1 604 652 006	Spiral Spring	1	-,-	2	11
	33 3 601 025 003	Wire Guide	1	-,-	2	11
	34 1 604 613 006	Compression Spring	1	-,-	2	11
	38 1 602 381 006	Insulating Plate 20x20x50 MM	1	-,-	1	11
	39 1 610 313 003	Guide Bushing	1	-,-	1	18
	40 3 601 110 106	Manufacturer's nameplate	1	-,-	1	18
	41 1 601 110 058	Reference Plate DOUBLE INSULATION	1	-,-	1	11
	43 2 910 215 093	Tapping Screw DIN 7971-3,9x38	1	-,-	2	10
	44 2 910 211 022	Tapping Screw DIN 7971-BZ3,9x25	1	-,-	5	10
	45 2 910 211 019	Tapping Screw DIN 7971-ST3,9x16-F	1	-,-	4	10
	47 1 602 381 006	Insulating Plate 20x20x50 MM	1	-,-	1	11
	48 2 910 021 116	Socket head cap screw DIN 84-AM4x6-8.8	1	-,-	2	11
	49 2 914 201 529	Torx Oval-Head Screw	1	-,-	4	10

Item	Part Number	Description	Illustration	Price	Quantity	Price Group
50	2 603 435 012	Tapping Screw 79 MM		1	-,-	4 11
51	2 910 021 213	Socket head cap screw DIN 84-BM 6x50-8.8		1	-,-	4 10
52	2 916 690 005	Spring Lock Washer M6		1	-,-	4 11
53	1 900 452 003	End Splice DIN 46 228-A2,5-7		1	-,-	4 11
57	3 604 438 021	Connecting Cable		1	-,-	2 16
59	2 910 021 118	Socket head cap screw DIN 84-AM4x8-8.8		1	-,-	2 10
90	1 601 030 022	Tab Washer		1	-,-	2 11
95	3 601 110 153	Sticker		1	-,-	1 14
101	3 605 806 007	Gear Cover		1	-,-	1 44
102	3 605 110 024	Gear Housing		1	-,-	1 47
103	3 600 910 001	Needle-Roller Bearing		1	-,-	1 30
104	2 916 650 014	Spring retaining ring DIN 471 25x1,2		1	-,-	1 11
106	3 600 905 011	groove ball bearing		1	-,-	1 27
107	3 600 550 000	Disc Spring		1	-,-	1 20
108	2 916 690 010	Spring Lock Washer 14-FST		1	-,-	1 10
110	3 606 316 015	Cylindrical Gear Z=35		1	-,-	2 32
111	1 903 201 021	Needle Roller A 2,5x9,8 G2 DIN 5402		1	-,-	20 10
112	1 600 100 611	Shim 1,2 MM THICK		1	-,-	2 11
113	2 916 080 908	Locking Washer 5 DIN 6799		1	-,-	2 10
114	3 606 334 009	Ring Gear Z=75		1	-,-	1 47
115	1 903 201 044	Needle Roller A 3x15,8G2DIN5402		1	-,-	1 13
116	3 602 001 001	Connecting Rod		1	-,-	1 45
117	3 600 913 001	Needle-Roller Assembly		1	-,-	1 21
118	3 600 224 005	Retaining ring		1	-,-	2 11
119	3 603 070 000	Lifting Rod		1	-,-	1 42
120	3 603 100 000	Straight Pin		1	-,-	1 18
121	3 600 422 000	Bearing Sleeve		1	-,-	1 35
122	3 603 463 003	Adjusting Screw		1	-,-	1 20
123	2 917 550 122	Straight Pin DIN 6325-5m6x20		1	-,-	2 11
124	2 608 635 195	Upper Blade		1	-,-	1 34
125	2 608 635 196	Lower Blade		1	-,-	1 31
127	2 916 690 005	Spring Lock Washer M6		1	-,-	1 11
128	2 910 375 193	Hex Socket Head Cap Screw DIN 6912 M6x12-8.8		1	-,-	1 13
130	3 601 015 003	Seal		1	-,-	1 15
131	3 603 120 001	Counterweight		1	-,-	1 15
132	2 910 145 392	Hex Socket Head Cap Screw DIN 912-M 14x35-8.8		1	-,-	1 19
133	2 912 041 197	Set screw DIN 913-M6x16-45H		1	-,-	1 11
134	2 910 141 197	Hex Socket Head Cap Screw DIN 912-M6x16-8.8		1	-,-	1 10
135	2 916 011 014	Plain Washer DIN 125-A 6,4-ST		1	-,-	1 10
136	3 603 435 044	Hex Nut		1	-,-	1 10
650	1 607 000 100	Parts Set		1	-,-	1 28
651	1 907 950 504	Single-Head Eng. Wrench DIN 894 SW10		1	-,-	1 24
652	1 907 950 004	Offset Screwdriver DIN 911, SW3		1	-,-	1 16
653	2 610 364 015	Hexagon Socket Screw Key 5 MM		1	-,-	1 15
801	3 607 020 033	Shearing Attachment		1	-,-	1 64
802	3 604 220 146	Field 110-115V		1	-,-	1 40
803	3 606 110 002	Eccentric Shaft		1	-,-	1 47
810	1 607 014 126	Carbon-Brush Set		1	-,-	1 27
816	1 604 336 017	Brush Holder		1	-,-	2 19
822	3 605 500 063	Sealing cap BLUE		1	-,-	2 16
826	3 608 042 002	Blade Holder		1	-,-	1 55
833	1 601 025 001	Wire Guide		1	-,-	2 11

Item	Part Number	Description	Illustration	Price	Quantity	Price Group
857	3 604 460 027	Connecting Cable L=360 MM WHITE	1	-,-	2	19
888	1 601 11A 3H3	Nameplate	1	-,-	1	13

Illustration - Type E



Information subject to change without further notice.