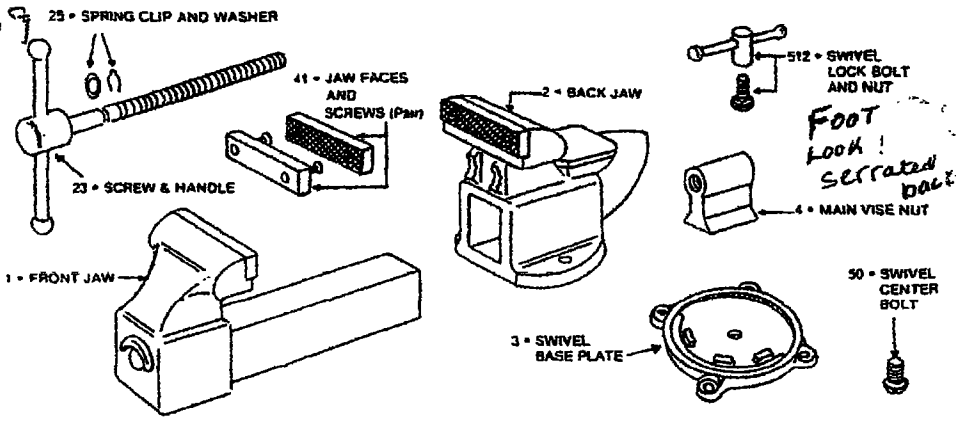


7/11/11 Night of Comp. 1.1K views 11103-39

444 + 415 take 11103-39  
 4500 + D45 11105-39  
 D4312, 11103-39  
 D44



**WORKSHOP VISES**

	D43-1/2M4		D43-1/2M3		D43-1/2,		D44M3 / M4		D44M2	
DESCRIPTION	PART #	ITEM #	PART #	ITEM #	PART #	ITEM #	PART #	ITEM #	PART #	ITEM #
FRONT JAW	D43 1/2-1	11103-01	D43 1/2-1	11103-01	D43 1/2-1	11103-01	D44-1	11104-01	D44-1	11104-01
BACK JAW	D43 1/2-2B	11103-02	D43 1/2-2B	11103-02	D43 1/2-2B	11103-02	D44-2A	11104-02	D44-2A	11104-02
MAIN VISE NUT	D43 1/2-4B	11103-14	D43 1/2-4B	11103-14	D43 1/2-4	11103-04	D44-4B	11104-14	D44-4B	11104-14
SCREW & HANDLE	43 1/2-23	11103-23	43 1/2-23	11103-23	43 1/2-23	11103-23	44-23	11104-23	44-23	11104-23
SPRING CLIP AND WASHER	43 1/2-25	11103-25	43 1/2-25	11103-25	43 1/2-25	11103-25	44-25	11104-25	44-25	11104-25
SWIVEL BASE	43 1/2-3A	11103-03	43 1/2-3A	11103-03	43 1/2-3A	11103-03	44-3	11104-03	44-3	11104-03
CENTER BOLT	43 1/2-50	11103-50	43 1/2-50	11103-50	43 1/2-50	11103-50	43 1/2-50	11103-50	43 1/2-50	11103-50
LOCK BOLT & NUT	43 1/2-512	11103-51	43 1/2-512	11103-51	43 1/2-512	11103-51	44-512	11104-51	44-512	11104-51
PAIR - JAW FACES	43 1/2-41	11103-41	43 1/2-41	11103-41	43 1/2-41	11103-41	44-41	11104-41	44-41	11104-41

	D44		D45M4		D45M3		D45		D46M3/M4	
DESCRIPTION	PART #	ITEM #	PART #	ITEM #	PART #	ITEM #	PART #	ITEM #	PART #	ITEM #
FRONT JAW	D44-1	11104-01	D45-1	11105-01	D45-1	11105-01	D45-1	11105-01	D46-1	11106-01
BACK JAW	D44-2A	11104-02	D45-2A	11105-02	D45-2A	11105-02	D45-2A	11105-02	D46-2	11106-02
MAIN VISE NUT	D44-4B	11104-14	D45-4B	11105-14	D45-4B	11105-14	D45-4B	11105-14	D46-4B	11106-14
SCREW & HANDLE	44-23	11104-23	45-23	11105-23	45-23	11105-23	45-23	11105-23	45-23	11105-23
SPRING CLIP AND WASHER	44-25	11104-25	45-25	11105-25	45-25	11105-25	45-25	11105-25	45-25	11105-25
SWIVEL BASE	44-3	11104-03	45-3A	11105-03	45-3A	11105-03	45-3A	11105-03	46-3	11106-03
CENTER BOLT	43 1/2-50	11103-50	43 1/2-50	11103-50	43 1/2-50	11103-50	43 1/2-50	11103-50	46-50	11106-50
LOCK BOLT & NUT	44-512	11104-51	44-512	11104-51	44-512	11104-51	44-512	11104-51	46-512	11106-51
PAIR - JAW FACES	44-41	11104-41	45-41	11105-41	45-41	11105-41	45-41	11105-41	46-41	11106-41

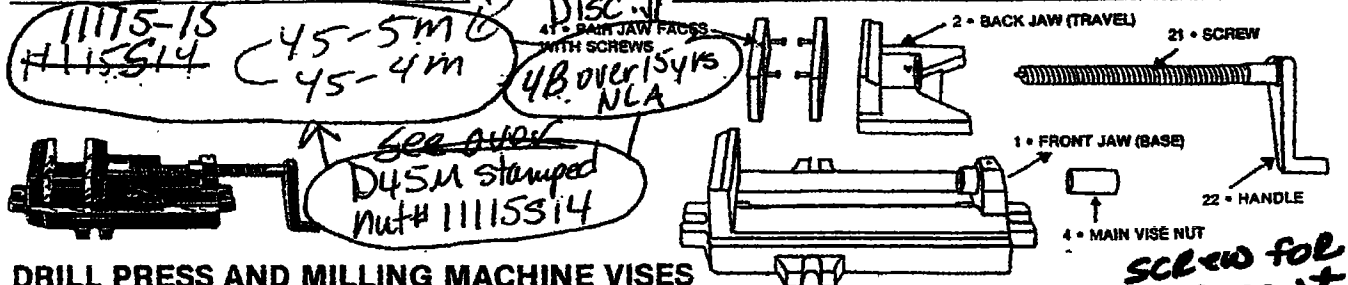
**WORKSHOP VISES**

	D46M2/D46	
DESCRIPTION	PART #	ITEM #
FRONT JAW	D46-1	11106-01
BACK JAW	D46-2	11106-02
MAIN VISE NUT	D46-4B	11106-14
SCREW & HANDLE	D45-23	11105-23
SPRING CLIP AND WASHER	45-25	11105-25
SWIVEL BASE	D46-3	11106-03
CENTER BOLT	D46-50	11106-50
LOCK BOLT & NUT	D46-512	11106-51
PAIR - JAW FACES	D46-41	11106-41

**AUTOCRAT VISES**

	414		415	
DESCRIPTION	PART #	ITEM #	PART #	ITEM #
FRONT JAW	D44-1	11104-01	D45-1	11105-01
BACK JAW	414-2	11204-02	415-2	11205-02
MAIN VISE NUT	D44-4B	11104-14	D45-4B	11105-14
SCREW & HANDLE	414-23	11204-23	45-23	11105-23
SPRING CLIP AND WASHER	44-25	11104-25	45-25	11105-25
SWIVEL BASE	414-3	11204-03	603-3X	11205-03
CENTER BOLT	43 1/2-50	11103-50	43 1/2-50	11103-50
LOCK BOLT & NUT	604-512	10203-51	604-512	10203-51
PAIR - JAW FACES	44-41	11104-41	45-41	11105-41

Dead Workpiece support for  
 screw & handle - 1115514  
 D44-(44-5m)  
 screw & handle - 1115514



**DRILL PRESS AND MILLING MACHINE VISES**

	1515		1525		1513-1/2		1523-1/2	
DESCRIPTION	PART #	ITEM #	PART #	ITEM #	PART #	ITEM #	PART #	ITEM #
FRONT JAW (BASE)	1515-1	10715-01	1515-1	10715-01	1513 1/2-1	10713-01	1513 1/2-1	10713-01
BACK JAW (TRAVEL)	1515-2	10715-02	1515-2	10715-02	1513 1/2-2	10713-02	1513 1/2-2	10713-02
MAIN VISE NUT	1515-4	10715-04	1515-4	10715-04	1513 1/2-4	10713-04	1513 1/2-4	10713-04
SCREW	1515-21	10715-21	1515-21	10715-21	1513 1/2-21	10713-21	1513 1/2-21	10713-21
HANDLE	1513 1/2-22	10713-22	1513 1/2-22	10713-22	1513 1/2-22	10713-22	1513 1/2-22	10713-22
PAIR JAW FACES W/SCREWS			1525-41	10725-41			1523 1/2-41	10723-41

screw for  
 jaw insert  
 for D4  
 111055