

## Cordl Perc Screwdr - 0 601 994 H10 - 15614

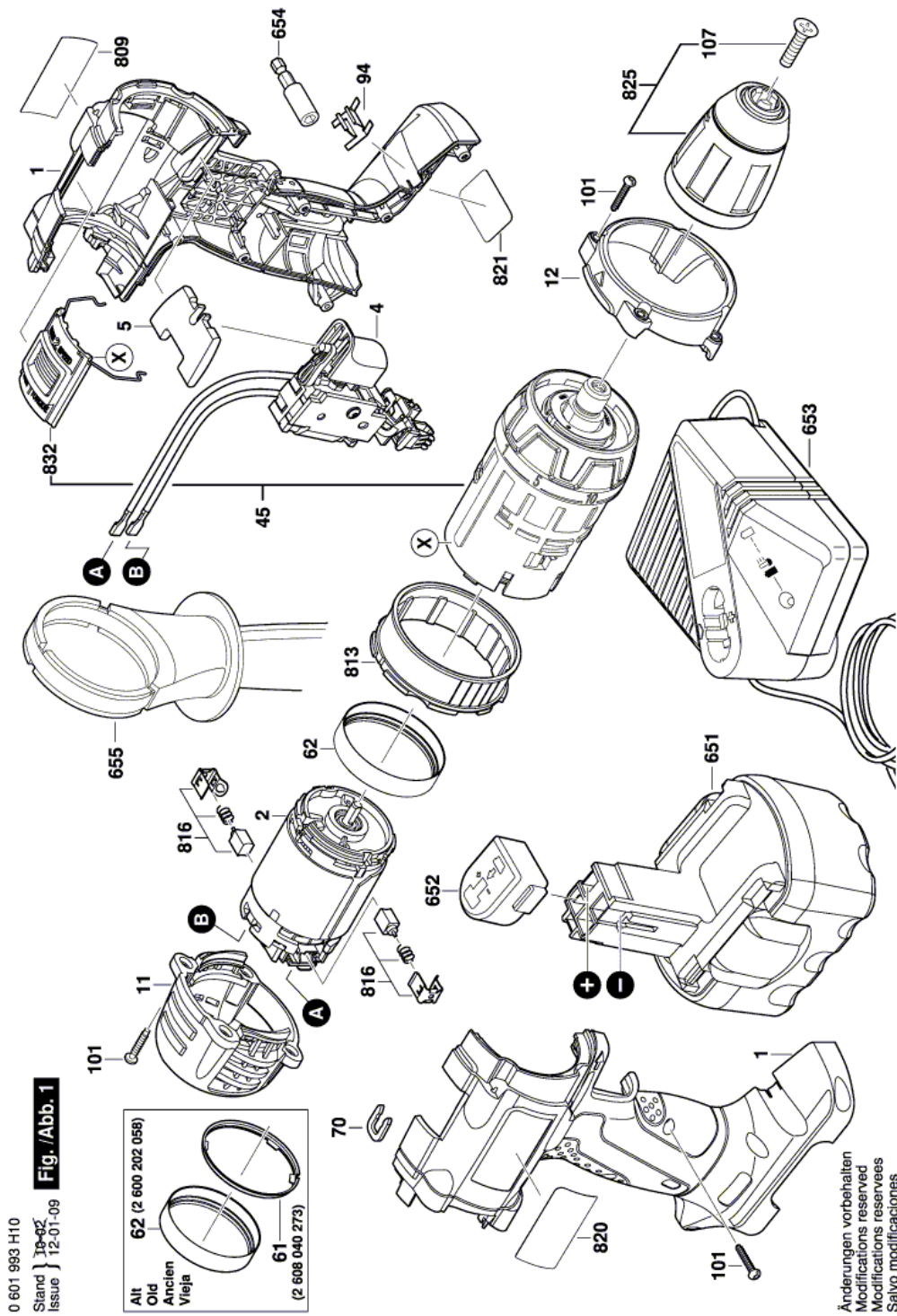
www.powertools-aftersaleservice.com



**BOSCH**

Item	Part Number	Description	Illustration	Price	Quantity	Price Group
1	2 605 105 101	Housing Section BLUE	1	-,-	1	34
2	2 607 022 319	DC motor 14,4V	1	-,-	1	45
4	2 607 230 121	Electronics Module	1	-,-	1	38
5	2 601 099 155	Adjusting lever RED	1	-,-	1	10
11	2 600 508 064	End cap BLACK	1	-,-	1	18
12	2 600 510 011	Front Cap	1	-,-	1	19
45	2 606 200 254	Planetary Gear Train	1	-,-	1	50
62	2 600 202 067	Retaining snap ring	1	-,-	1	22
70	2 601 250 009	Pickup Clip	1	-,-	1	10
94	2 604 690 043	Spring Element	1	-,-	1	10
101	2 603 490 018	Torx Oval-Head Screw 3x18	1	-,-	14	10
107	2 603 421 229	Countersunk-Head Screw M6x23	1	-,-	1	11
651	2 607 335 669	Accumulator Battery 14,4V,2.0Ah,NiCd	1	-,-	1	51
652	2 609 100 101	Protective Cap	1	-,-	1	16
653	2 607 225 033	Fast Charger USA 120/7,2-24V, 30 MIN.	1	-,-	1	46
654	2 610 917 319	Holder	1	-,-	1	-
655	2 602 025 158	Auxiliary Handle	1	-,-	1	27
809	2 601 115 016	Manufacturer's nameplate	1	-,-	1	13
813	2 600 510 012	Locating ring	1	-,-	1	18
816	2 607 034 904	Carbon-Brush Set	1	-,-	1	23
820	2 601 115 359	Warning Plate	1	-,-	1	13
821	2 601 115 017	Nameplate	1	-,-	1	13
825	2 608 572 902	Keyless Chuck	1	-,-	1	41
832	2 601 099 213	Adjusting lever	1	-,-	1	21

Illustration - Type E



Information subject to change without further notice.