



SERVICE PARTS LIST

1/2" ELECTRIC DRILL

Catalog No. **1620-1**

Starting Serial No. **343-14491**

Specify Catalog and Serial No. when ordering parts

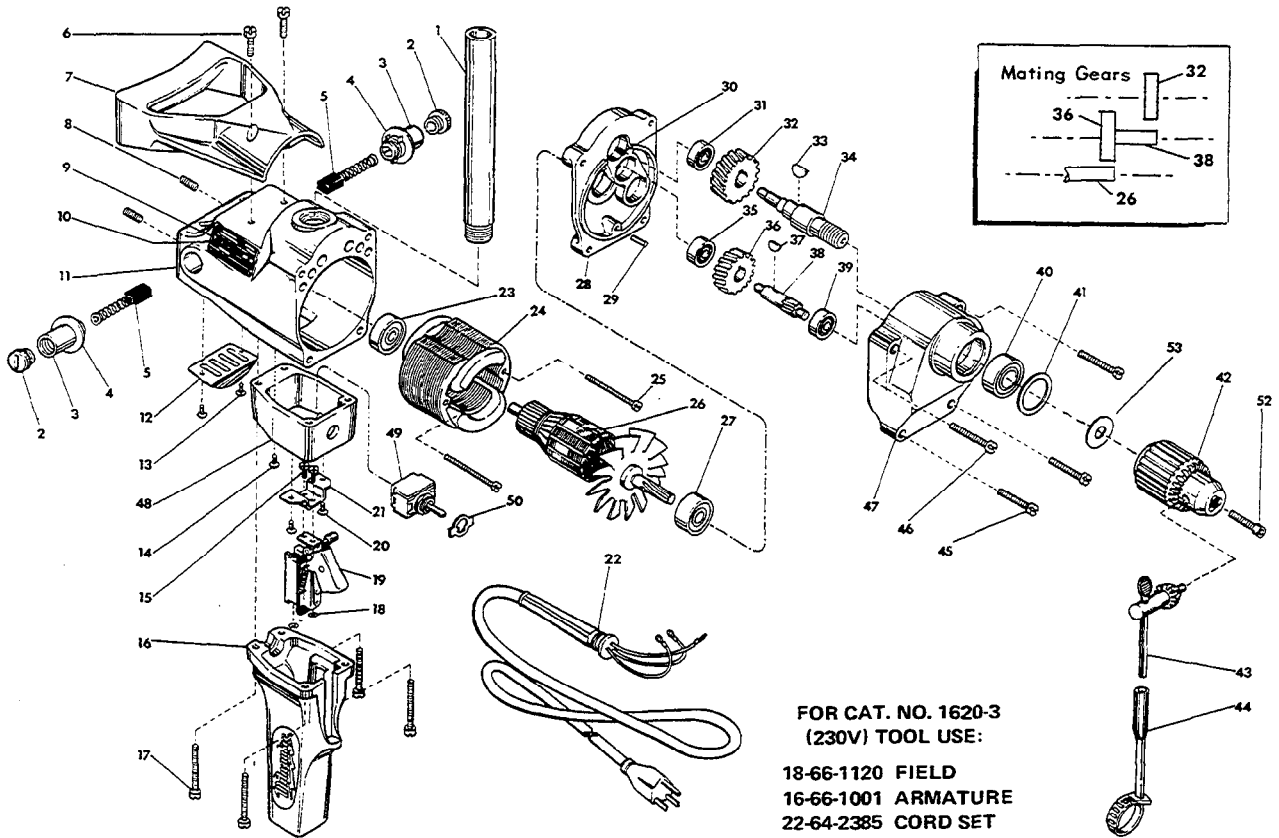
BUL. 54-10-0544

REVISED BUL.
54-10-0543

DATE
Jan. '75

WIRING INSTRUCTIONS
58-01-0535

900 R.P.M.



FOR CAT. NO. 1620-3
(230V) TOOL USE:

18-66-1120 FIELD
16-66-1001 ARMATURE
22-64-2385 CORD SET

FIG.	PART NO.	DESCRIPTION OF PART	NO. REQ.	FIG.	PART NO.	DESCRIPTION OF PART	NO. REQ.
	1	43-62-0230 Pipe Handle		28	28-28-0621	Diaphragm (Includes Fig. 29 & 30)	
	2	23-44-0065 Brush Retaining Screw	(2)	29	06-65-0625	3/16x1/2 Groove Pin	
	3	22-22-0120 Brush Holder	(2)	30	45-30-0060	Brg. Retaining Slug	(2)
	4	23-86-0130 Washer	(2)	31	02-04-0820	Ball Bearing	
	5	22-18-0170 Carbon Brush	(2)	32	32-75-2101	Spindle Gear	
	6	06-81-7500 12-24x5/8 Fil. Hd. Sem	(2)	33	06-42-2000	Woodruff Key	
	7	28-44-7041 Spade Handle		34	38-50-2661	Spindle	
	8	06-83-2670 1/4-20x1/2 Knrg. Set Screw	(2)	35	02-04-0820	Ball Bearing	
	9	06-85-0200 6x1/4 Rd. Hd. Type Z Screw	(2)	36	32-40-1261	Intermediate Gear	
	10	12-99-0010 Nameplate		37	06-42-1200	Woodruff Key	
	11	28-50-4646 Motor Housing		38	36-66-3101	Intermediate Shaft	
	12	44-66-0140 Cover Plate		39	02-04-0820	Ball Bearing	
	13	06-81-8650 6-32x1/4 Rd. Hd. Sem	(2)	40	02-04-1650	Ball Bearing	
	14	06-81-8625 6-32x1/4 Ground Screw		41	34-80-2500	Retaining Ring	
	15	06-81-5800 6-32x5/16 Fil. Hd. Sem	(2)	42	48-66-1380	1/2" Reversing Chuck	
	16	28-44-9121 Switch Handle		43	48-66-3280	Chuck Key	
	17	06-81-7590 12-24x1-3/4 Fil. Hd. Sem	(4)	44	48-66-4040	Key Holder	
	18	06-97-1800 Lock Washer	(4)	45	06-81-7450	10-32x1-3/16 Fil. Hd. Sem	(2)
	19	23-66-0190 Switch		46	06-81-7460	10-32x1-7/16 Fil. Hd. Sem	(2)
	20	06-81-8650 6-32x1/4 Rd. Hd. Sem	(2)	47	28-14-0721	Gear Case	
	21	42-36-0180 Switch Bracket		48	28-50-7081	Reversing Switch Housing	
★	22	22-64-0385 Cord Set		49	23-66-0198	Switch	
	23	02-04-0970 Ball Bearing		50	22-75-0055	Switch Dial	
★	24	18-62-1120 115 Volt Field		51	12-98-7081	Caution Plate (Not Shown)	
	25	06-81-6700 8-32x1-7/8 Fil. Hd. Sem	(2)	52	06-75-3150	1/4-20x1 Skt. Cap Screw	
	26	16-62-1140 115 Volt Armature		53	45-88-0365	Chuck Spacer Washer	
	27	02-04-1070 Ball Bearing					