



SERVICE PARTS LIST

BULLETIN NO.
55-10-0111

SPECIFY CATALOG NO. AND SERIAL NO. WHEN ORDERING PARTS		REVISED BULLETIN	DATE
INTERNATIONAL COMPACT DRILL		55-10-0110	Mar.'94
CATALOG NO. 1631-4	STARTING SERIAL NO. 770A	WIRING INSTRUCTION 58-03-1020	

EXAMPLE:
Component Parts
(Small #) Are Included
When Ordering The
Assembly (Large #).

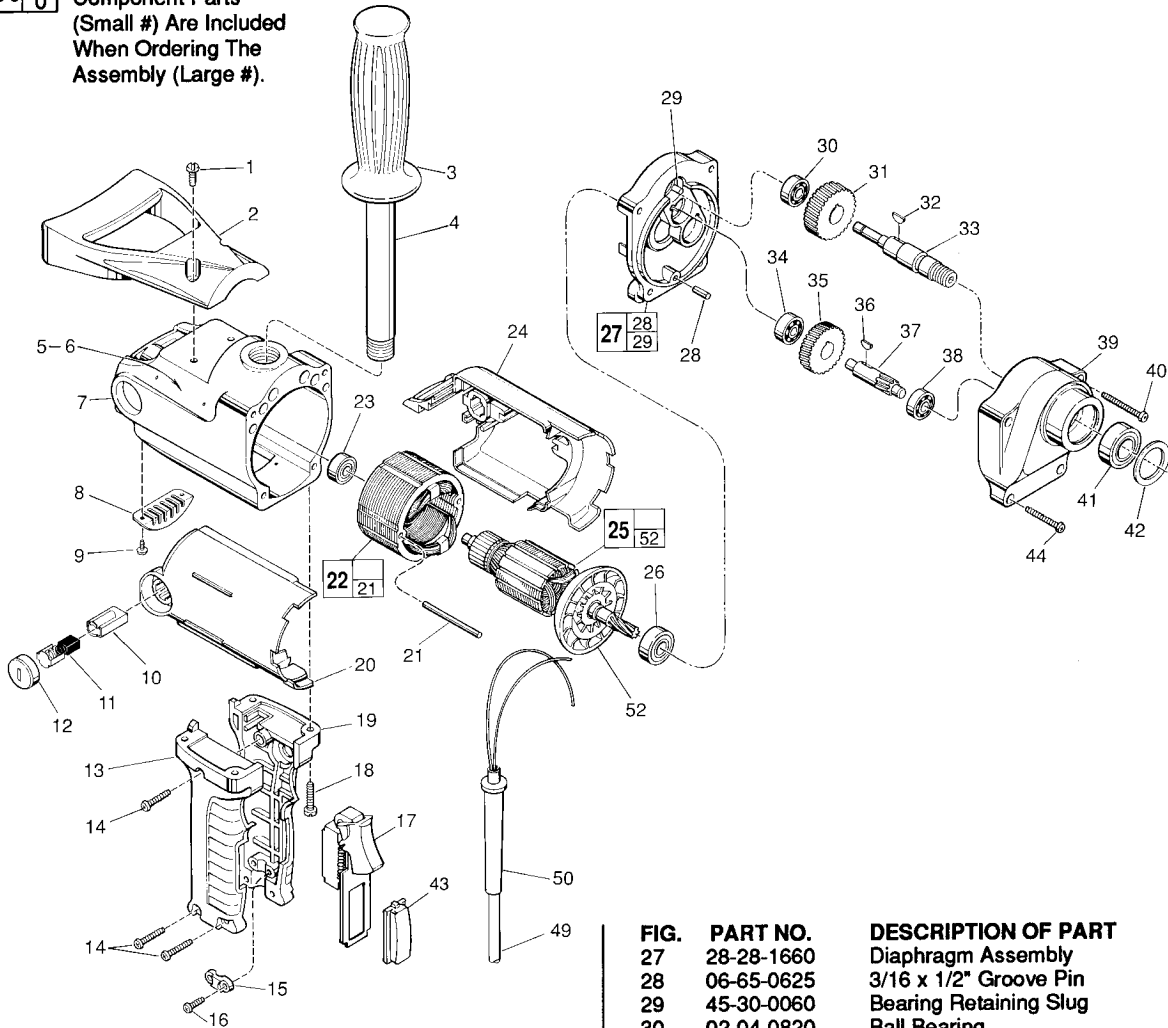


FIG.	PART NO.	DESCRIPTION OF PART	NO.REQ.
★ 1	06-82-8908	12-24 x 3/4" Pan Hd. Slit. Tapt. T-27	(2)
2	31-44-1550	Spade Handle	(1)
3	43-62-0246	Handle Grip	(1)
★ 4	43-62-0122	Pipe Handle	(1)
5	12-99-0730	Nameplate Blank	(1)
6	06-85-0200	6 x 1/4" Nameplate Screw	(2)
7	26-50-6295	Motor Housing	(1)
8	44-66-5510	Cover Plate	(1)
★ 9	06-82-5270	6-32 x 1/4" Pan Hd. Slit. Tapt. T-15	(2)
10	22-20-0660	Brush Tube	(2)
11	22-18-0725	Carbon Brush Assembly	(2)
★ 12	23-44-0210	Brush Retaining Screw	(2)
13	31-44-1440	Right Hand Handle Half	(1)
14	06-82-7326	8-16 x 1" Plastite T-20 Screw	(3)
15	31-17-0156	Cord Clamp	(1)
16	06-82-7270	8-16 x 5/8" Slit. Pan Hd. Plast. T-20	(2)
17	23-66-0591	Switch	(1)
★ 18	06-82-8908	12-24 x 3/4" Pan Hd. Slit. Taptite T-27	(4)
19	31-44-1445	Left Hand Handle Half	(1)
20	23-16-1275	Motor Insulator Right Half	(1)
21	06-65-1230	Grooved Pin	(2)
22	18-54-0050	220 V. Field	(1)
23	02-04-0847	Ball Bearing	(1)
24	23-16-1276	Motor Insulator - Left Half	(1)
25	16-54-0050	220 V. Armature	(1)
26	02-04-1050	Ball Bearing	(1)

FIG.	PART NO.	DESCRIPTION OF PART	NO.REQ.
27	28-28-1660	Diaphragm Assembly	(1)
28	06-65-0625	3/16 x 1/2" Groove Pin	(1)
29	45-30-0060	Bearing Retaining Slug	(2)
30	02-04-0820	Ball Bearing	(1)
31	32-75-2101	Spindle Gear	(1)
32	06-42-2000	Woodruff Key	(1)
33	38-50-5430	Spindle	(1)
34	02-04-0820	Ball Bearing	(1)
35	32-40-1880	Intermediate Gear	(1)
36	06-42-1200	Woodruff Key	(1)
37	36-66-3101	Intermediate Shaft	(1)
38	02-04-0820	Ball Bearing	(1)
39	28-14-1705	Gear Case Assembly	(1)
★ 40	06-82-7784	10-24 x 1-7/16" Tapt. T-27	(2)
41	02-04-1567	Ball Bearing	(1)
42	34-80-2500	Retaining Ring	(1)
43	31-53-0100	Handle Plug	(1)
★ 44	06-82-7752	10-24 x 1-3/16" Taptite Sem.T-27	(2)
49	22-64-4480	Cord Set	(1)
50	44-76-0150	Cord Protector	(1)
52	22-84-0660	Fan	(1)
	22-33-0305	Suppressor	(1)
	23-78-0150	Velcro Strap	(1)

FIG. LUBRICATION
39 5-1/2 Oz. Type "A" Grease, 49-08-0800.