



SERVICE PARTS LIST

BUL. 54-10-2003

1/2" ELECTRIC DRILL

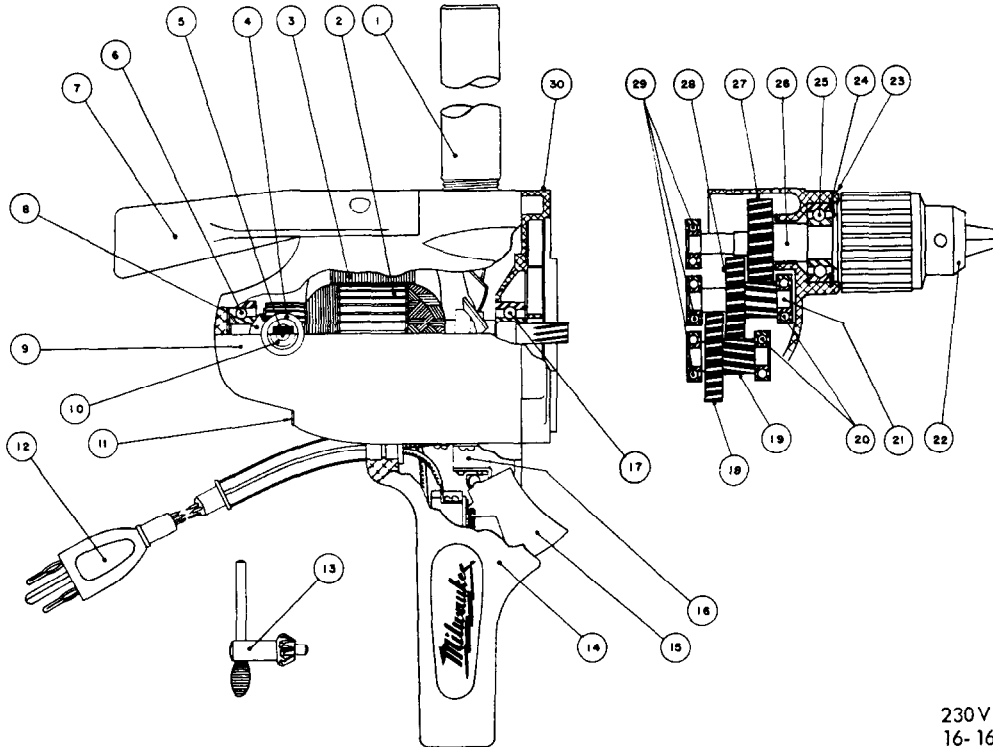
REVISED BUL 6117-4 DATE Sept. '68

Catalog No. 1650

Starting Serial No. **117-18734**

WIRING INSTR. **58-01-0500**

Both Model and Serial No. must be furnished to obtain correct parts.



230V Motor
16-16-1010 Armature
18-66-1000 Field

ILLUSTRATED PARTS

FIG.	PART NO.	DESCRIPTION OF PART	FIG.	PART NO.	DESCRIPTION OF PART	
1	43-62-0230	Pipe Handle	16	42-36-0180	Switch Bracket	
2	16-62-1010	Armature Assembly	17	02-04-1070	Ball Bearing	
3	18-62-1000	Field Assembly	18	32-42-1221	1st Intermediate Gear	
4	22-22-0120	Brush Holder Assembly	(2)	19	36-66-2201	1st Intermediate Pinion Shaft
5	22-18-0170	Carbon Brush Assembly	(2)	20	02-04-0820	Ball Bearing
6	02-04-0970	Ball Bearing	X	21	36-66-2252	2nd Intermediate Pinion Shaft
7	28-44-7041	Spade Handle	22	48-66-1280	Chuck (1/2-20 Thread)(See Price Sheet)	
8	23-86-0130	Brush Holder Washer	(2)	23	28-14-0762	Gear Case
9	28-50-4644	Drill Body	24	34-80-2500	Spindle Ball Brg. Ret. Ring	
10	23-44-0065	Brush Retaining Screw	(2)	25	02-04-1560	Ball Bearing
11	44-66-0140	Air Intake Cover Plate	26	38-50-2601	Spindle	
12	22-64-0170	Cord Set (3-wire-3 prong plug)	X	27	32-75-2701	Spindle Gear
13	48-66-3280	Chuck Key	28	32-44-1161	2nd Intermediate Gear	
14	28-44-9121	Switch Handle	29	02-04-0820	Ball Bearing	
15	23-66-0190	Switch	30	28-28-0701	Diaphragm	

MISCELLANEOUS PARTS NOT SHOWN

PART NO.	DESCRIPTION OF PART	PART NO.	DESCRIPTION OF PART	
42-70-0060	Spade Handle Key Clip	06-81-8650	6-32x1/4" Rd.Hd.Sems Comm. Cover Plate Scs. (2)	
12-98-3725	Name Plate	06-81-8200	4-36x3/16" Rd.Hd. Name Plate Screws (2)	
06-42-2000	Spindle Woodruff Key	06-23-2670	1/4-20x1/2" Hd'less Brush Holder Set Screws (2)	
06-42-0800	Int. Shaft Woodruff Key	(2)	06-81-8650	6-32x1/4" Rd.Hd. Sems Switch Bracket Screws (2)
06-81-7100	10-24x1-3/16" Fil.Hd.Sems Gear Case Scs. (2)	06-81-5800	6-32x5/16" Fil.Hd.Sems Switch Mounting Scs. (2)	
06-81-7200	10-24x1-7/16" Fil.Hd.Sems Gear Case Sc.(top) (2)	X	06-81-8650	6-32x1/4 Rd.Hd. Sem Key Clip Screws (2)
06-81-6700	8-32x1-7/8" Fil.Hd. Field Screw (2)	45-30-0060	Ball Bearing Ret. Plug	
06-81-7500	12-24x5/8 Fil.Hd. Switch Handle Sems (4)	06-81-8625	6-32x1/4" Rd.Hd. Brass Ground Screw	
06-81-7500	12-24x5/8" Fil.Hd.Sems Spade Handle Scs. (2)			
48-03-0010	Attachment Plug Adapter			