



SERVICE PARTS LIST

BUL.54-10-2025

1/2" ELECTRIC DRILL

REVISED BUL 54-10-2024 DATE April '70

Catalog No. 1650-1

Starting Serial No. 142-14966

WIRING INSTR. 58-01-0530

Both Model and Serial No. must be furnished to obtain correct parts.

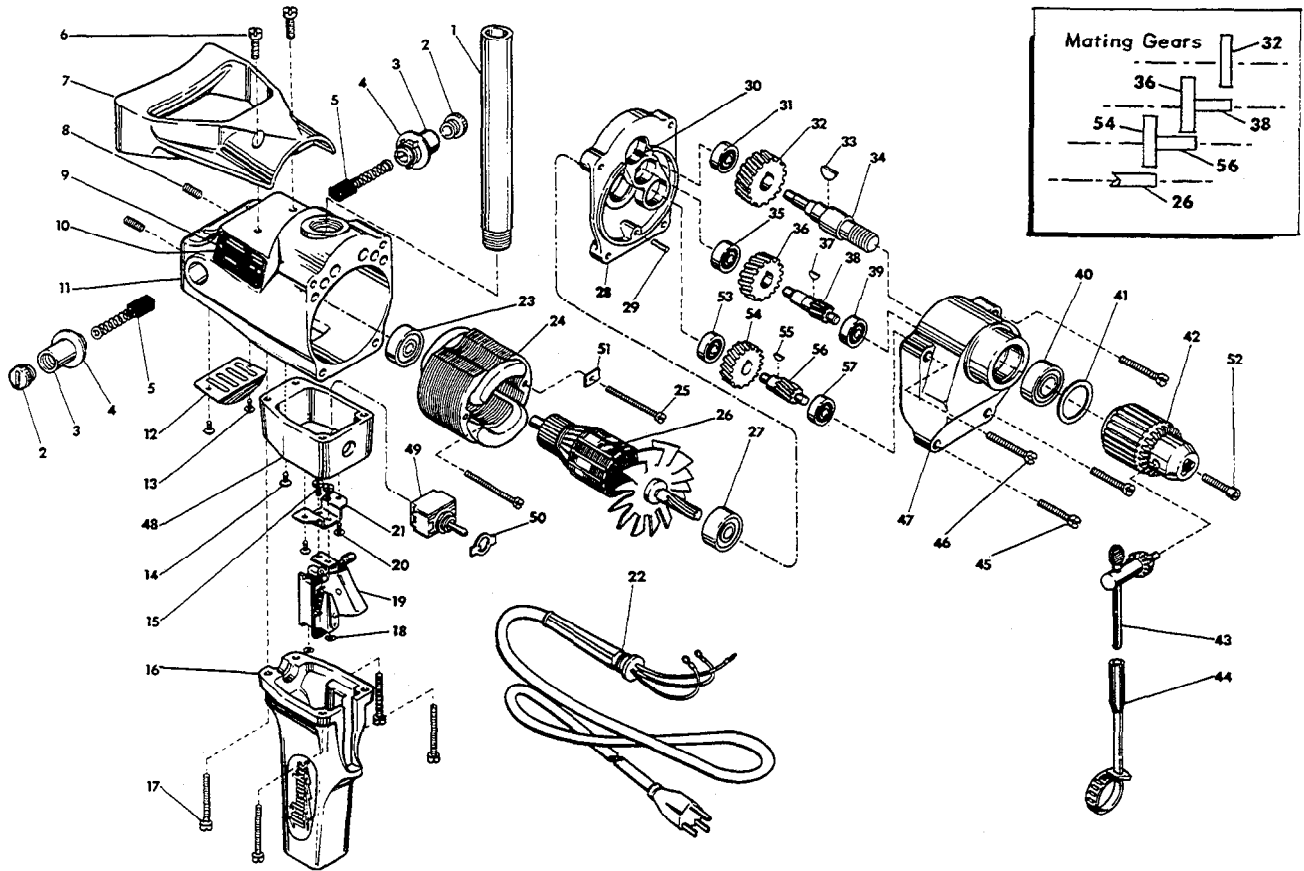


FIG.	PART NO.	DESCRIPTION OF PART	NO. REQ.
	1	Pipe Handle	
	2	Brush Retaining Screw	(2)
	3	Brush Holder (Includes Fig. 4)	(2)
	4	Washer	(2)
	5	Carbon Brush	(2)
	6	12-24x5/8 Fil. Hd. Sem	(2)
	7	Spade Handle	
	8	1/4-20x1/2 Knrl. Set Screw	(2)
★	9	6x1/4 Rd. Driv-in Screw	(2)
	10	Nameplate	
★	11	Motor Housing	
	12	Cover Plate	
	13	6-32x1/4 Rd. Hd. Sem	(2)
	14	6-32x1/4 Rd. Hd. Bronze	
	15	6-32x5/16 Fil. Hd. Sem	(2)
	16	Switch Handle	
	17	12-24x1-3/4 Fil. Hd. Sem	(4)
	18	Lock Washer	(4)
	19	Switch	
	20	6-32x1/4 Rd. Hd. Sem	(2)
	21	Switch Bracket	
	22	Cord Set	
	23	Ball Bearing	
	24	115 Volt Field	
	25	8-32x1-7/8 Fil. Hd. Sem	(2)
	26	115 Volt Armature	
	27	Ball Bearing	
	28	Diaphragm (Includes Fig. 29)	
	29	3/16x1/2 Groove Pin	

FIG.	PART NO.	DESCRIPTION OF PART	NO. REQ.
	30	Brg. Retaining Slug	(3)
	31	Ball Bearing	
	32	Spindle Gear	
	33	Woodruff Key	
	34	Spindle	
	35	Ball Bearing	
	36	Intermediate Gear	
	37	Woodruff Key	
	38	Intermediate Shaft	
	39	Ball Bearing	
	40	Ball Bearing	
	41	Retaining Ring	
	42	1/2" Reversing Chuck	
	43	Chuck Key	
★	44	Key Holder	
★	45	10-32x1-3/16 Fil. Hd. Sem	(2)
★	46	10-32x1-7/16 Fil. Hd. Sem	(2)
	47	Gear Case	
	48	Reversing Switch Housing	
	49	Switch	
	50	Switch Dial	
	51	Clamp	
	52	1/4-20x1 Skt. Cap Screw	
	53	Ball Bearing	
	54	Intermediate Gear	
	55	Woodruff Key	
	56	Intermediate Shaft	
	57	Ball Bearing	