

SERVICE PARTS LIST

BUL. 54-10-4026

HOLE HAWG

REVISED BUL. 54-1 O-4025 DATE Jan. '76

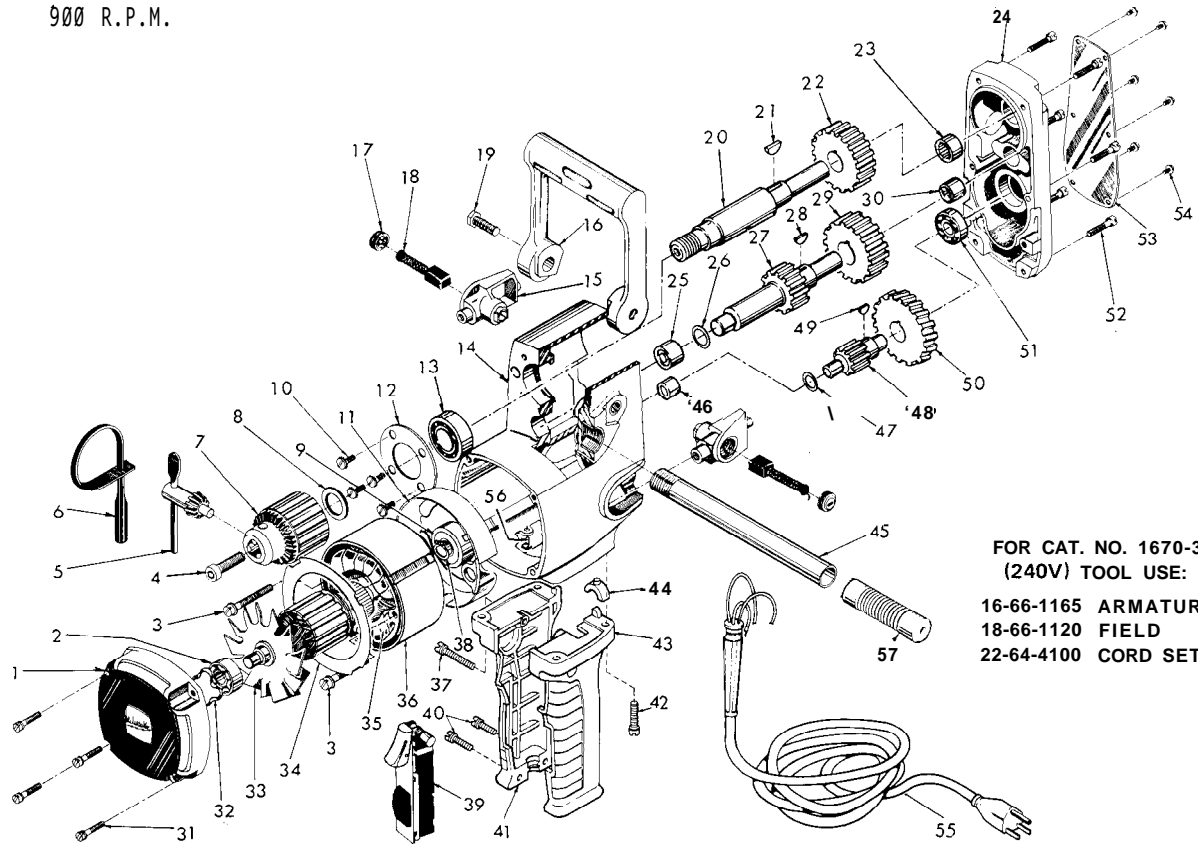
Catalog No. 1670-1

Starting Serial No. **472-1001**

WIRING INSTRUCTIONS **58-01-0622**

Specify Catalog and Serial No. when ordering parts

900 R.P.M.



FOR CAT. NO. 1670-3
(240V) TOOL USE:
16-66-1165 ARMATURE
18-66-1120 FIELD
22-64-4100 CORD SET

FIG.	PART NO.	DESCRIPTION OF PART	NO. REQ.	FIG.	PART NO.	DESCRIPTION OF PART	NO. REQ.
1	28-50-6111	Bearing Support Housing Assy.		30	02-50-2750	Needle Bearing	
2		Ball Bearing		31	06-81-6200	8-32x5/8 Fil. Hd. Brg. Support Hsg. Scr.(4)	
3	02-04-0940 06-81-6700	8-32x 1-7/8 Fil. Hd. Field Scr.	(2)	32	45-88-7110	Spring Washer	
4	06-75-3150	1/4-20x1 L.H. Soc. Hd. Cap Screw		33	16-62-1165	Armature Assy. (incl. fig. 38)	
5	48-66-3280	Chuck Key		34		Baffle	
6	48-66-4040	Key Holder		35	42-14-0150 18-624 120	F ield Assy.	
7	48-66-1 380	Chuck		36	23-1 6-0430	Field insulator	
9	45-88-0330	Chuck Spacer Washer		37	06-81-6400	8-32x11/8 Fil. Hd. Handle Cover Scr.	
10	02-041 06-81-5400 050	Ball Bearing		38	34-60-0827	Retaining Ring	
		8-32x5/16 Binder Hd. Brg. Ret. Scr.	(4)	39	23-66-0751	Switch	
11	31-55-0060	Coil Shield		40	06-81-6200	8-32x5/8 Fil. Hd. Handle Cover Scr.	(2)
12	44-66-5241	Bearing Retainer Plate		41	31-44-0500	R .H. Drill Handle	
13	02-04-1 700	Ball Bearing		42	06-81-7560	12-24x7/8 Fil. Hd. Handle Ret. Scr.	(4)
14	28-50-6121	Motor Housing Assy.		43	31-44-0510	L.H. Drill Handle	
15	22-22-0281	Brush Holder Assy.	(2)	44	31-55-0070	Power Cord Shield	
16	28-44-7151	Spade Handle		45	43-62-0120	Pipe Handle	
17	23-44-0130	Brush Retaining Cap	(2)	46	02-50-2020	Needle Bearing	
18	22-1 8-0450	Carbon Brush Assy.	(2)	47	45-88-7100	Fiber Thrust Washer	
19	45-04-0380	3/8-16x1 Hex Hd. Spade Handle Scr.	(2)	48	36-66-1 310	1st. Intermediate Pinion	
20	38-50-5070	Spindle		49	06-42-0800	Woodruff Key	
21	06-42-2000	Woodruff Key		50	32-42-1 301	1st. Intermediate Gear	
22	32-75-2210	Spindle Gear		51	02-04-0910	Ball Bearing	
23	02-50-3170	Needle Bearing		52	06-81-6350	8-32x1 Fil. Hd. Gear Case Cover Scr.	(6)
24	28-20-1 125	Gear Case Cover		53	12-98-7045	Name P fate	
25		Needle Bearing		54	06-81-8200	4-36x3/16 Rd. Hd. Name Plate Scr.	(6)
26	02-50-3180 45-88-7095	Fiber Thrust Washer		55	22-64-0386	Cord Set	
27	36-66-3060	2nd. Intermediate Pinion		56	06-81-8625	6-32x1/4 Ground Scr.	
28	06-42-1 900	Woodruff Key		57	43-62-0242	Handle Grip	
29	32-44-1 190	2nd. intermediate Gear		58	12-98-7081	Caution Plate (Not Shown)	