



# SERVICE PARTS LIST

## HOLE HAWG

Catalog No. **1675-1**

Starting Serial No. **413-80949**

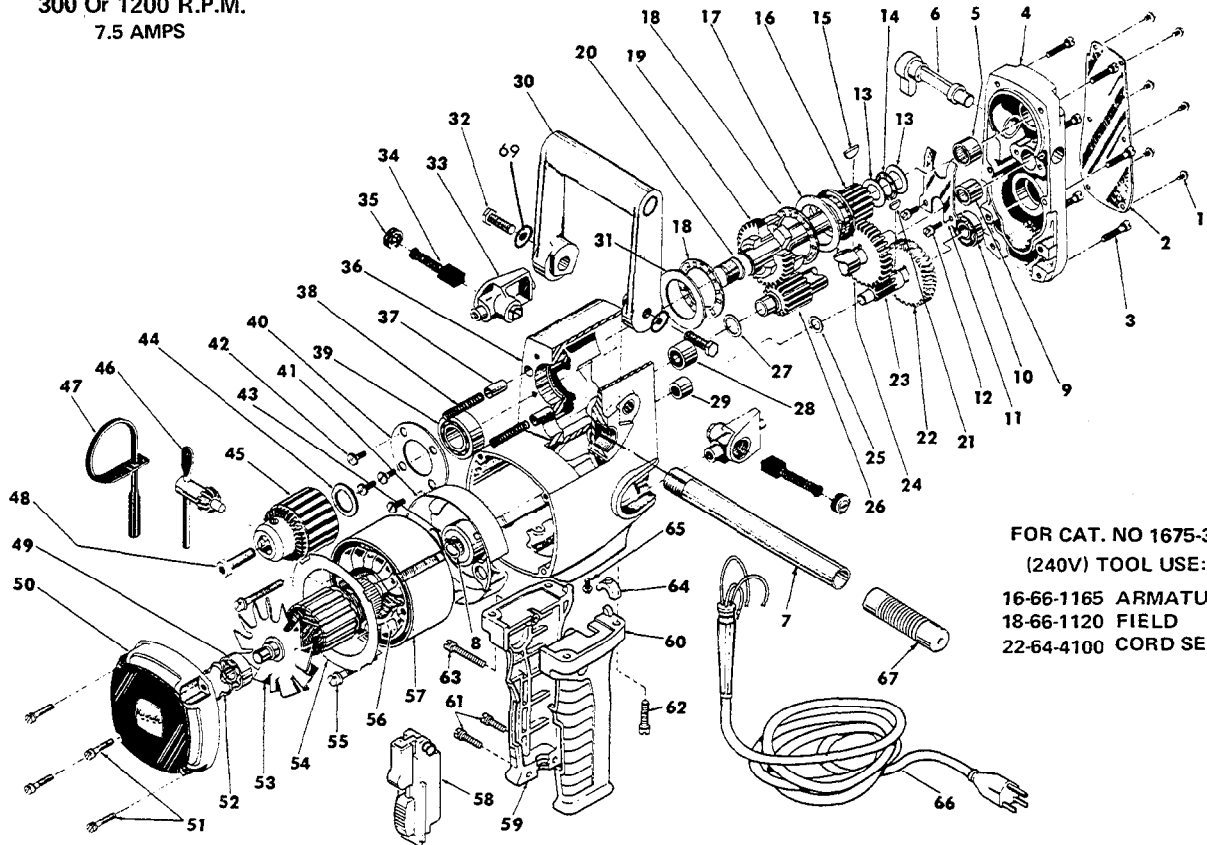
Specify Catalog and Serial No. when ordering parts

**BUL. 54-10-4005**

REVISED BUL. 54-10-4004 DATE Sept. '78

WIRING INSTRUCTIONS **58-01-0624**

300 Or 1200 R.P.M.  
7.5 AMPS



FOR CAT. NO 1675-3  
(240V) TOOL USE:  
16-66-1165 ARMATURE  
18-66-1120 FIELD  
22-64-4100 CORD SET

FIG.	PART NO.	DESCRIPTION OF PART	NO. REQ.	FIG.	PART NO.	DESCRIPTION OF PART	NO. REQ.
	1	4-36x3/16 Rd. Hd. Name Plate Scr.	(6)	35	23-44-0130	Brush Retaining Cap	(2)
	2	Name Plate	(1)	36	28-50-6121	Motor Housing Assy.	(1)
	3	8-32x1 Fil. Hd. Gear Case Cover Scr.	(6)	37	44-70-0160	Shifting Plunger	(2)
	4	Gear Case Cover	(1)	38	40-50-7670	Shifting Spring	(2)
	5	Needle Bearing	(1)	39	02-04-1700	Ball Bearing	(1)
	6	Shifting Cam	(1)	40	44-66-5241	Bearing Retainer Plate	(1)
	7	Pipe Handle	(1)	41	31-55-0060	Coil Shield	(1)
	8	Retaining Ring	(1)	★ 42	06-81-5502	8-32x3/8 Comb. Phil. Hd. Sem	(4)
	9	Needle Bearing	(1)	43	02-04-1050	Ball Bearing	(1)
	10	Ball Bearing	(1)	44	45-88-0330	Chuck Spacer Washer	(1)
	11	Shifting Yoke	(1)	45	48-66-1380	Chuck	(1)
	12	8-32x5/16 Fil. Hd. Shifting Yoke Scr.	(2)	46	48-66-3280	Chuck Key	(1)
	13	Thrust Washer	(2)	47	48-66-4040	Key Holder	(1)
	14	Thrust Bearing	(1)	48	06-75-3150	1/4-20x1 L.H. Soc. Hd. Cap Screw	(1)
	15	No. 3 Woodruff Key	(1)	49	02-04-0940	Ball Bearing	(1)
	16	Hi-Speed Clutch Gear Assy.	(1)	50	28-50-6111	Bearing Support Housing Assy.	(1)
	17	Thrust Washer	(1)	51	06-81-6202	8-32x5/8 Fil.Hd.Brg. Support Hsg.Scr.	(4)
	18	Thrust Bearing	(2)	52	45-88-7110	Spring Washer	(1)
	19	Lo-Speed Clutch Gear Assy.	(1)	53	16-62-1165	Armature Assy. (incl. fig. 8)	(1)
	20	Spindle	(1)	54	42-14-0150	Baffle	(1)
	21	No. 212 Woodruff Key	(1)	55	06-81-6700	8-32x 1-7/8 Fil. Hd. Field Scr.	(2)
	22	1st. Intermediate Gear	(1)	56	18-62-1120	Field Assy.	(1)
	23	1st. Intermediate Pinion	(1)	57	23-16-0430	Field Insulator	(1)
	24	2nd. Intermediate Gear	(1)	★ 58	23-66-1020	Switch	(1)
	25	Fiber Thrust Washer	(1)	59	31-44-0500	R.H. Drill Handle	(1)
	26	2nd. Intermediate Pinion	(1)	60	31-44-0510	L.H. Drill Handle	(1)
	27	Fiber Thrust Washer	(1)	61	06-81-6202	8-32x5/8 Fil.Hd. Handle Cover Scr.	(2)
	28	Needle Bearing	(1)	62	06-81-7560	12-24x7/8 Fil.Hd. Handle Ret. Scr.	(4)
	29	Needle Bearing	(1)	63	06-81-6402	8-32x1 1/8 Fil.Hd. Handle Cover Scr.	(1)
★	30	Spade Handle	(1)	64	31-55-0070	Power Cord Shield	(1)
	31	Thrust Washer	(1)	65	06-81-8625	6-32x1/4 Ground Scr.	(1)
★	32	3/8-16x1 Hex Hd. Spade Handle Scr.	(2)	66	22-64-0386	Cord Set	(1)
	33	Brush Holder Assy.	(2)	★ 67	43-62-0242	Handle Grip	(1)
	34	Carbon Brush Assy.	(2)	68	12-98-7081	Caution Plate (Not Shown)	
				★ 69	45-88-0605	Flat Washer	(2)

**MILWAUKEE ELECTRIC TOOL CORP.**

13135 West Lisbon Road • Brookfield, Wisconsin 53005