



SERVICE PARTS LIST

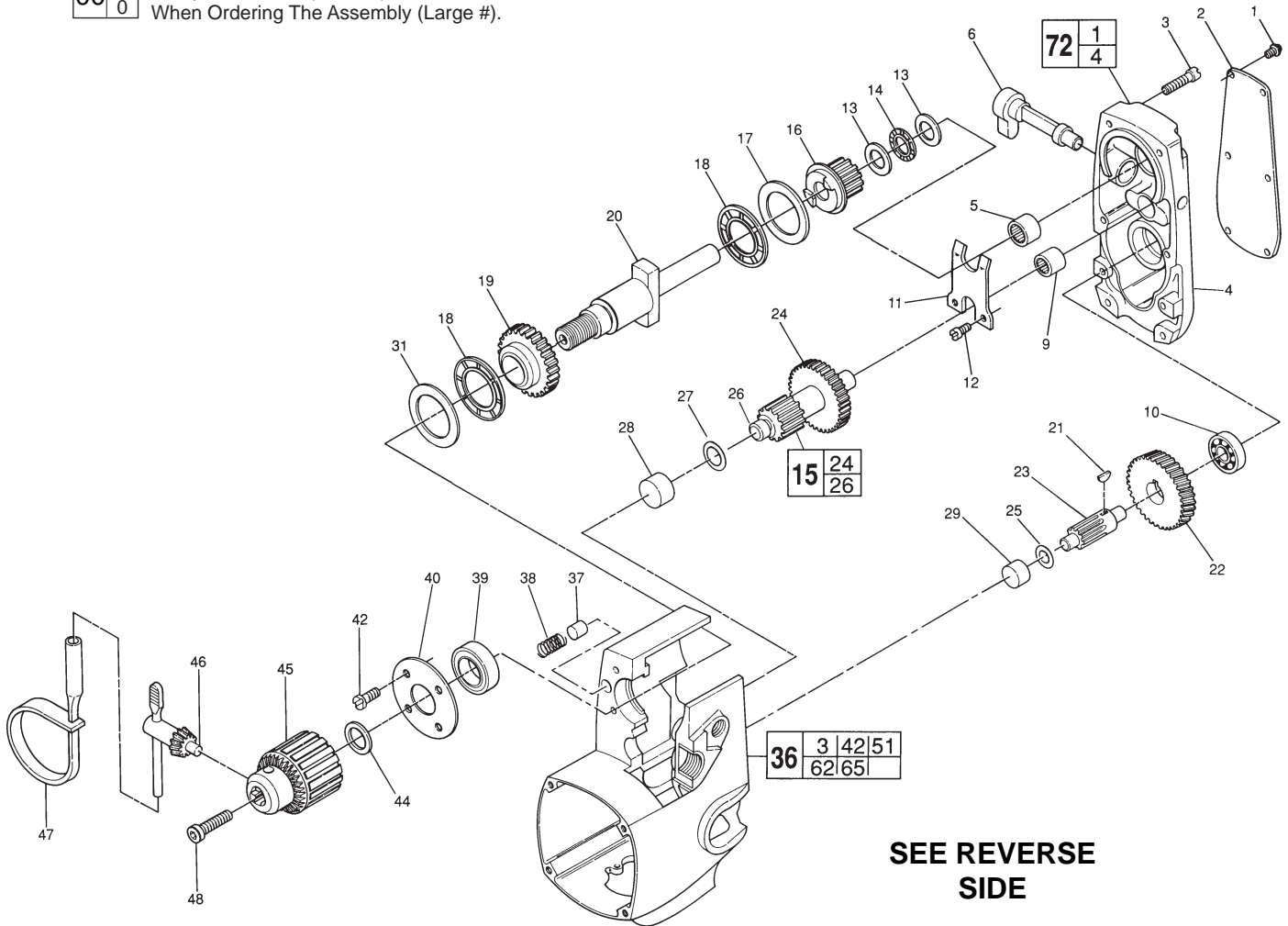
BULLETIN NO.
54-10-4012

SPECIFY CATALOG NO. AND SERIAL NO. WHEN ORDERING PARTS		REVISED BULLETIN 54-10-4011	DATE Feb. 2008
TWO SPEED HOLE HAWG®			
CATALOG NO. 1675-1	STARTING SERIAL NUMBER 413A	WIRING INSTRUCTION 58-01-0626	

EXAMPLE:



Component Parts (Small #) Are Included When Ordering The Assembly (Large #).



SEE REVERSE SIDE

FIG.	PART NO.	DESCRIPTION OF PART	QTY.	FIG.	PART NO.	DESCRIPTION OF PART	QTY.
	1	06-82-5266 4-40 x 1/4" Pan Hd. T-10 Screw	(6)	31	45-88-0520	Thrust Washer	(1)
*	2	12-98-7300 Service Nameplate	(1)	36	28-50-6127	Motor Housing Assembly	(1)
	3	06-82-5362 8-32 x 1" Pan Hd. T-20 Screw	(6)	37	44-70-0160	Shifting Plunger	(2)
	4	28-20-1251 Gear Case Cover	(1)	38	40-50-7670	Shifting Spring	(2)
	5	02-50-3170 Needle Bearing	(1)	39	02-04-1700	Ball Bearing	(1)
	6	31-11-0100 Shifting Cam	(1)	40	44-66-5241	Bearing Retainer Plate	(1)
	9	02-50-2750 Needle Bearing	(1)	42	06-82-7252	8-32 x 3/8" Pan Hd. T-20 Screw	(4)
	10	02-04-0910 Ball Bearing	(1)	44	45-88-0330	Chuck Spacer Washer	(1)
	11	45-98-0100 Shifting Yoke	(1)	45	48-66-1381	Chuck	(1)
	12	06-82-7252 8-32 x 3/8" Pan Hd. T-20 Screw	(2)	46	48-66-3280	Chuck Key	(1)
	13	45-88-7150 Thrust Washer	(2)	47	48-66-4040	Key Holder	(1)
	14	02-80-6020 Thrust Bearing	(1)	48	06-75-3150	1/4-20 x 1" L.H. Soc. Hd. Cap Screw	(1)
	15	36-66-4520 2nd. Intermediate Pinion / Gear	(1)	72	28-20-1126	Gear Case Cover Assembly	(1)
	16	32-10-0132 Hi-Speed Clutch Gear Assembly	(1)				
	17	45-88-7140 Thrust Washer	(1)				
	18	02-80-1800 Thrust Bearing	(2)	FIG.		NOTES	
	19	32-10-0122 Lo-Speed Clutch Gear Assembly	(1)	20,45		Chuck mounted to spindle @ 90 ft./lbs. torque.	
	20	38-50-4991 Spindle	(1)	FIG.		LUBRICATION	
	21	06-42-1200 No. 212 Woodruff Key	(1)	4		3-1/2 oz. Type "E" Grease, No. 49-08-4122.	
	22	32-42-1301 1st. Intermediate Gear	(1)			Prelube all needle bearings with	
	23	36-66-4071 1st. Intermediate Pinion	(1)			Type "E" Grease, No. 49-08-4122.	
	24	32-44-1315 2nd. Intermediate Gear	(1)				
	25	45-88-7100 Fiber Thrust Washer	(1)				
	26	36-66-4515 2nd Intermediate Shaft Assembly	(1)				
	27	45-88-7095 Fiber Thrust Washer	(1)				
	28	02-50-3180 Needle Bearing	(1)				
*	29	02-50-2435 Needle Bearing	(1)				

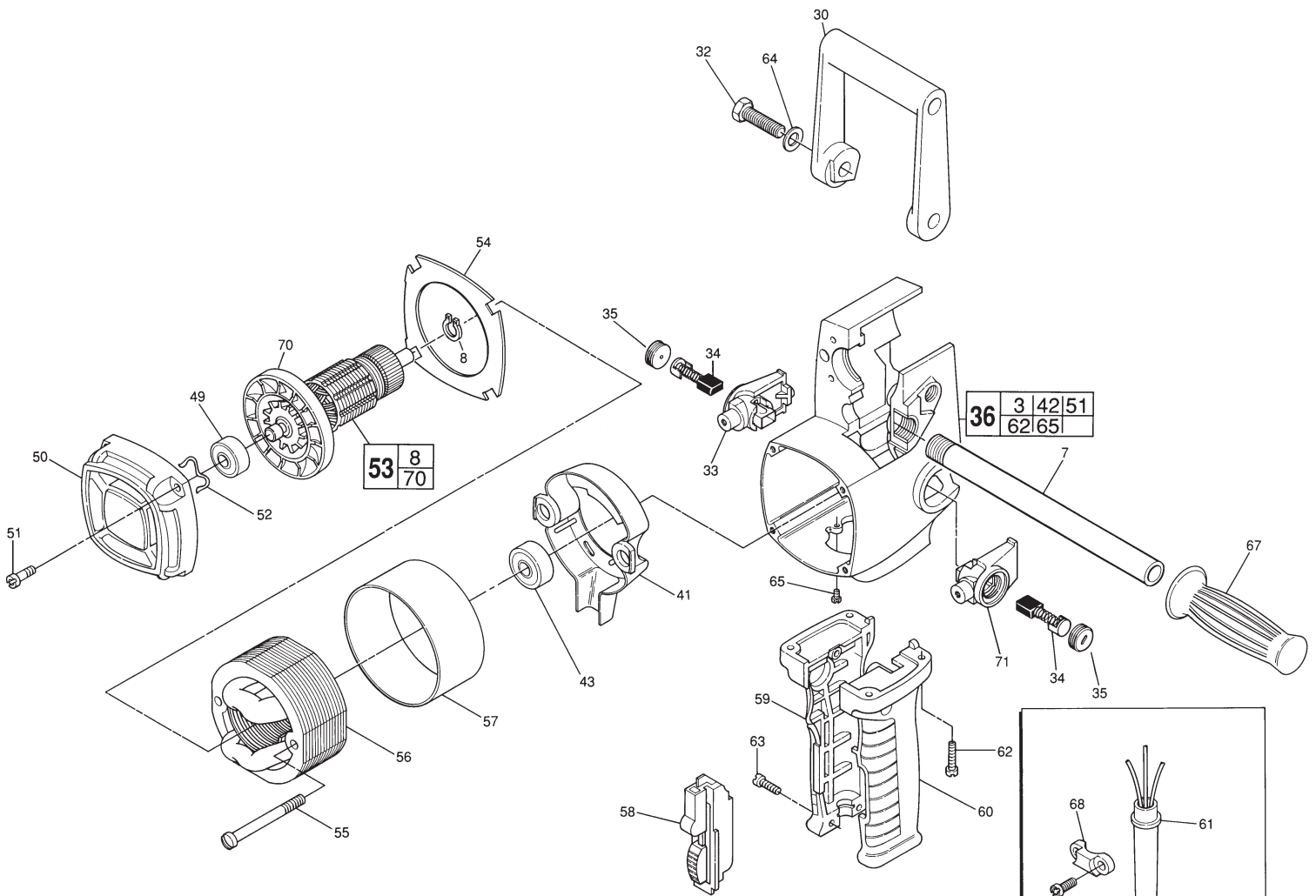


FIG.	PART NO.	DESCRIPTION OF PART	QTY.
	7	Pipe Handle	(1)
	8	Retaining Ring	(1)
	30	Spade Handle	(1)
	32	3/8-16 x 1" Hex Hd. Spade Handle Scrw	(2)
	33	R. H. Brush Holder Assembly	(1)
	34	Carbon Brush Assembly	(2)
	35	Brush Retaining Cap	(2)
	36	Motor Housing Assembly	(1)
	41	Coil Shield	(1)
	43	Ball Bearing	(1)
	49	Ball Bearing	(1)
	50	Bearing Support Housing	(1)
	51	8-32 x 3/4" Pan Hd. T-20 Screw	(4)
	52	Spring Washer	(1)
	53	Armature Assembly	(1)
	54	Baffle	(1)
*	55	8-16 x 1-7/8" Pan Hd Plastite T-20 Scrw	(2)
	56	Field Assembly	(1)
	57	Field Insulator	(1)
	58	Switch	(1)
	59	R.H. Drill Handle	(1)
	60	L.H. Drill Handle	(1)
	61	Cord Protector	(1)
	62	1/4-20 x 3/4" Pan Hd. Taptite T-27 Scrw	(4)
	63	8-16 x 1" Pan Hd. Plastite T-20 Screw	(3)
	64	Flat Washer	(2)
	65	6-32 x 1/4" Ground Screw	(1)
	66	Cord Set	(1)
	67	Handle Grip	(1)
	68	Cord Clamp	(1)
	69	8-16 x 5/8" Pan Hd. Slit. T-20 Plastite	(2)
	70	Fan	(1)
	71	L.H. Brush Holder Assembly	(1)
	10-98-5986	Caution Label	(1)

