



Parts Manual

Mfg. No: 1696614-01
1024MD, B&S 9.5 Gross TP 24" Dual
Stage Snowthrower (2017)



Auger Drive Group

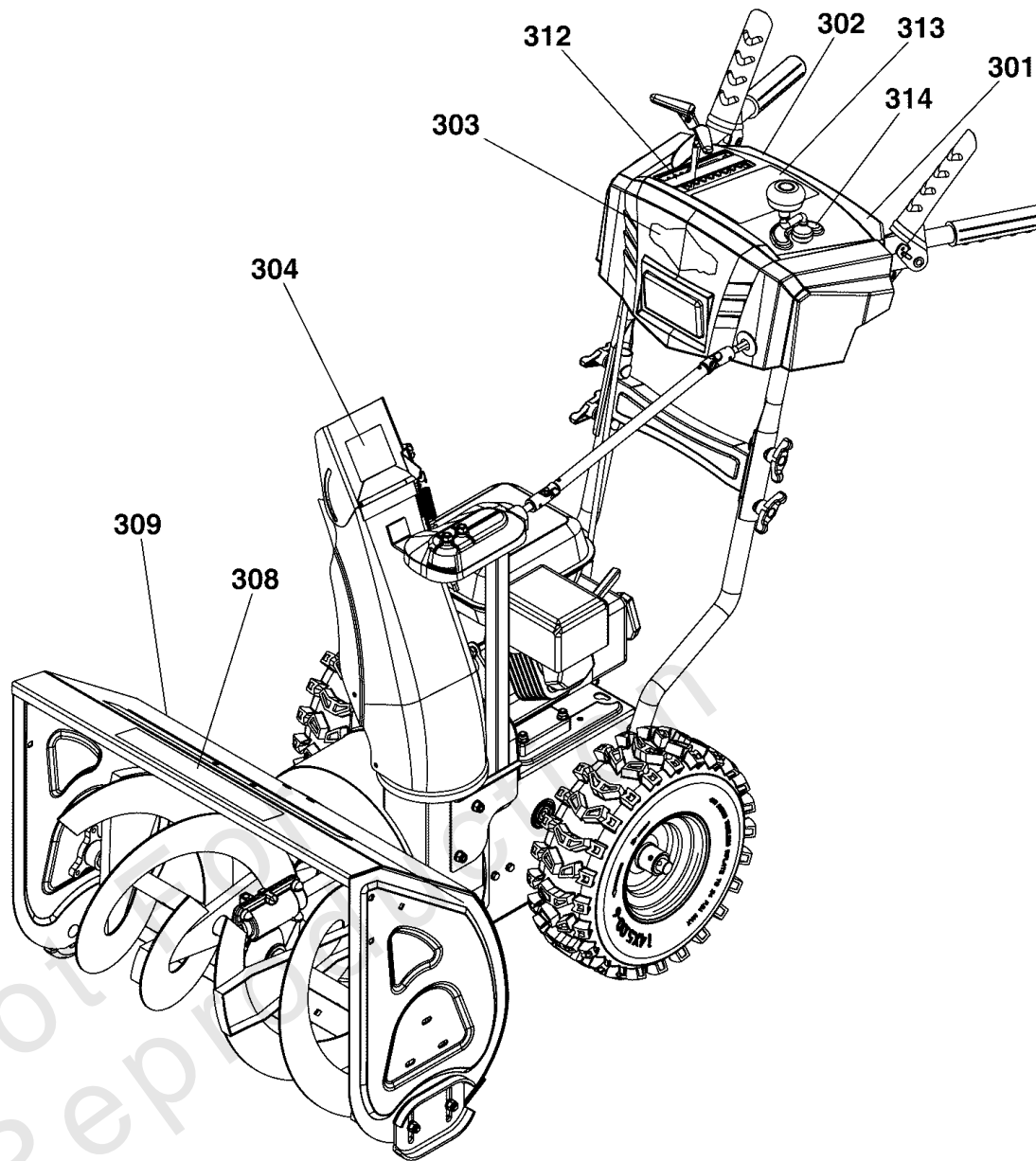
REF NO	PART NO	QTY	DESCRIPTION
0040	707553	2	KIT, Mounting Plate, Auger Housing -(Incl. Ref. Nos. 175, 176, 177, 178)
175	-----	3	SCREW, Hex Head, M8 X 16
176	-----	1	BEARING, Auger Shaft
177	-----	1	RETAINER, Auger Shaft
178	-----	1	BEARING, Sleeve
0050	707744	1	KIT, Auger Assembly, Left -(Incl. Ref. Nos. 18, 179, 180, 198, 200)
18	-----	1	NUT, Lock, M8
179	-----	2	WASHER, Flat
180	-----	2	BEARING, Auger Shaft
198	-----	1	BOLT, Hex, M8 X 38
200	-----	1	AUGER, 24", Left, Black
0060	707555	1	KIT, SHEAR PIN, AUGER -(Incl. Ref. Nos. 18, 198)
18	-----	2	NUT, Lock, M8
198	-----	2	BOLT, Hex, M8 X 38
0070	84001646	1	KIT, Gear Box, Auger -(Incl. Ref. Nos. 18, 150, 182, 183, 186, 187, 188, 189, 190, 191, 192, 193, 195, 196, 197, 198, 199, 201, 206)
18	-----	2	NUT, Lock, M8
150	-----	1	KEY, WOODRUFF
182	-----	1	ZERK, Grease Fitting
183	-----	1	WASHER, Wave
186	-----	1	SHAFT, Impeller, Wormgear
187	-----	1	BEARING
188	-----	1	WASHER, Flat
189	-----	1	BEARING
190	-----	1	SEAL, Oil
191	-----	1	BEARING
192	-----	1	GEAR CASE, Right
193	-----	1	GEAR, Worm
195	-----	1	GEAR CASE, Left
196	-----	2	SEAL, Oil
197	-----	6	SCREW, Hex Head, M6 X 20
198	-----	2	BOLT, Hex, M8 X 38
199	-----	1	SHAFT, Auger Out
201	-----	1	BOLT, Phillips Head, M5 X 10
206	-----	1	BOLT, Hex, M6 X 25
0080	84001647	1	KIT, Seal, Gearbox -(Incl. Ref. Nos. 150, 182, 183, 190, 196)
150	-----	1	KEY, WOODRUFF
182	-----	1	ZERK, Grease Fitting
183	-----	1	WASHER, Wave
190	-----	1	SEAL, Oil
196	-----	2	SEAL, Oil
0090	707763	1	KIT, Auger Assembly, Right -(Incl. Ref. Nos. 18, 179, 180, 181, 198)
18	-----	1	NUT, Lock, M8
179	-----	2	WASHER, Flat
180	-----	2	BEARING, Auger Shaft
181	-----	1	AUGER, 24", Right, Black
198	-----	1	BOLT, Hex, M8 X 38

Auger Drive Group

REF NO	PART NO	QTY	DESCRIPTION
0100	707554	2	KIT, Auger Shaft Hardware -(Incl. Ref. Nos. 179, 180)
179	-----	2	WASHER, Flat
180	-----	2	BEARING, Auger Shaft
0110	707560	1	KIT, Impeller Assembly -(Incl. Ref. Nos. 43, 134, 184, 185)
43	-----	2	NUT, Lock, M6
134	-----	2	WASHER, 6x12x.7, Flat
184	-----	1	IMPELLER
185	-----	2	BOLT, Hex, M6 X 38
0120	707561	1	KIT, Shear Pin, Impeller -(Incl. Ref. Nos. 18, 134, 185)
43	-----	2	NUT, Lock, M6
134	-----	2	WASHER, 6x12x.7, Flat
185	-----	2	BOLT, Hex, M6 X 38
0680	707552	1	KIT, Bearing, Mounting Plate -(Incl. Ref. Nos. 176, 178)
176	-----	2	BEARING, Auger Shaft
178	-----	2	BEARING, Sleeve

Auger Housing Group

REF NO	PART NO	QTY	DESCRIPTION
169	-----		*HOUSING, Auger, 24"
0200	707550	1	KIT, SKID SHOE -(Incl. Ref. Nos. 18, 75, 172 & 173)
18	-----	4	*NUT, Hex Head Lock, Non-metal -(Included with Ref. No. 0200)
75	-----	4	*WASHER, Flat -(Included with Ref. No. 0200)
172	-----	4	*BOLT, Square Neck, Cup Head -(Included with Ref. No. 0200)
173	-----	2	*SHOE, Skid -(Included with Ref. No. 0200)
0210	707762	1	KIT, Scraper Bar -(Incl. Ref. Nos. 18, 75, 170 & 171)
18	-----	6	*NUT, Hex Head Lock, Non-metal -(Included with Ref. No. 0210)
75	-----	6	*WASHER, Flat -(Included with Ref. No. 0210)
170	-----	1	*BAR, Scraper, 24" Housing -(Included with Ref. No. 0210)
171	-----	6	*BOLT, Square Neck, Cup Head -(Included with Ref. No. 0210)
0220	707549	1	KIT, CLEANOUT BRUSH STICK -(Incl. Ref. Nos. 167 & 168)
167	-----	1	*STICK, Cleanout -(Included with Ref. No. 0220)
168	-----	1	*BASE, Cleanout Stick -(Included with Ref. No. 0220)



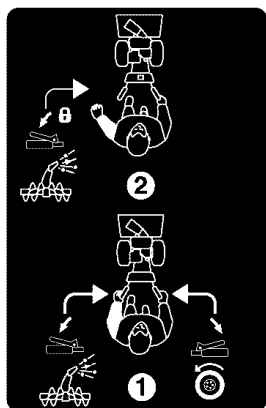
0010



301



302



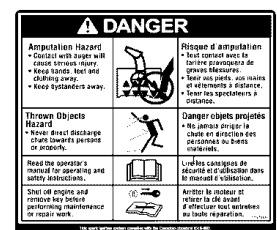
313



314



304



309

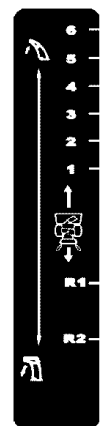


303



308

1024MD



312

Decals Group

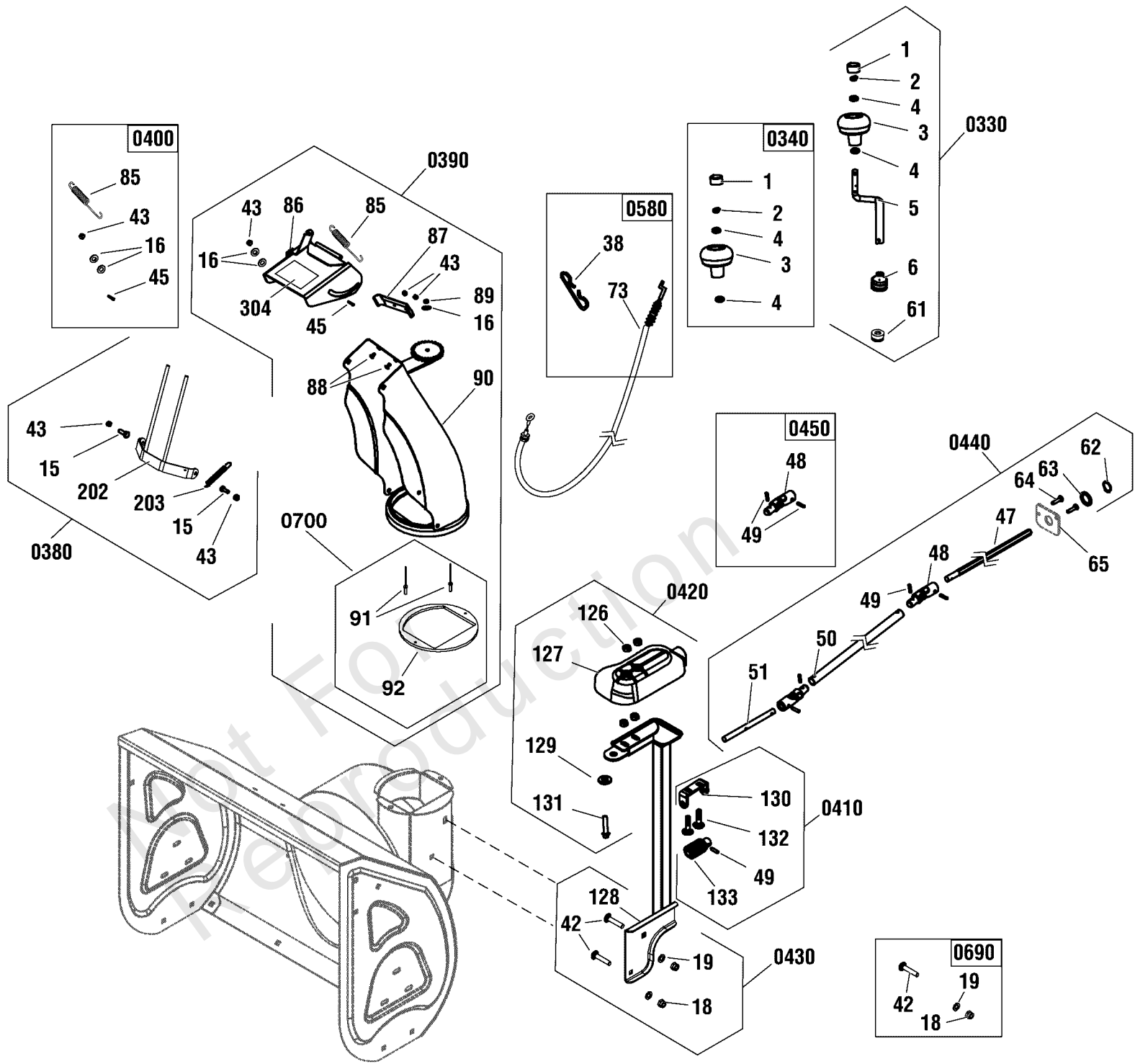
REF NO	PART NO	QTY	DESCRIPTION
0010	770374	1	KIT-DECAL, Briggs 1024MD -(Incl. Ref. No. 301, 302, 303, 304, 308, 309, 312, 313, 314)
301	1751429YP	1	DECAL, Auger Control
302	1751430YP	1	DECAL, Traction Control
303	707463	1	DECAL
304	1737865YP	1	DECAL, Danger Chute Warning, FR/ENG
308	-----	1	DECAL, Auger Housing, 1024MD
309	1737866YP	1	DECAL, Danger Foot, FR/ENG
312	-----	1	*DECAL, 1-5 Transmission Speed Control
313	-----	1	*DECAL, Free Hand Operation
314	-----	1	*DECAL, Chute Rotation

Not For Reproduction

Discharge Chute Group

Note: Unless noted otherwise, use the standard torque specifications

Mfg. No: 1696614-01



Discharge Chute Group

REF NO	PART NO	QTY	DESCRIPTION
0330	707503	1	KIT, Chute Rotation -(Incl. Ref. Nos. 1, 2, 3, 4, 5, 6 & 61)
1	-----	1	*COVER, Lever Knob, Chute Rotater -(Included with Ref. No. 0330)
2	-----	1	*C-Clip, Shaft -(Included with Ref. No. 0330)
3	-----	1	*KNOB, Lever, Chute Rotater -(Included with Ref. No. 0330)
4	-----	2	*WASHER, Flat -(Included with Ref. No. 0330)
5	-----	1	*LEVER, Chute Rotater -(Included with Ref. No. 0330)
6	-----	1	*SLEEVE, Rubber -(Included with Ref. No. 0330)
61	-----	1	*SLEEVE, Damping, Chute Rotater Lever -(Included with Ref. No. 0330)
0340	707502	1	KIT, Chute Knob -(Incl. Ref. Nos. 1, 2, 3 & 4)
1	-----	1	*COVER, Lever Knob, Chute Rotater -(Included with Ref. No. 0340)
2	-----	1	*C-CLIP, Shaft -(Included with Ref. No. 0340)
3	-----	1	*KNOB, Lever, Chute Rotater -(Included with Ref. No. 0340)
4	-----	2	*WASHER, Flat -(Included with Ref. No. 0340)
0380	707570	1	KIT, Chute Guard -(Incl. Ref. Nos. 15, 43, 202 & 203)(CE/Export Only)
15	-----	2	*SCREW, Hex-Head -(Included with Ref. No. 0380)(CE/Export Only)
43	-----	2	*Lock Nut, Hex Head, non-metal -(Included with Ref. No. 0380)(CE/Export Only)
202	-----	1	*Chute Guard -(Included with Ref. No. 0380)(CE/Export Only)
203	-----	1	*Spring -(Included with Ref. No. 0380)(CE/Export ONLY)
0390	707747	1	KIT, Chute Assembly -(Domestic Only) (Incl. Ref. Nos. 4, 16, 43, 45, 85, 86, 87, 88, 89, 90, 91 & 92)
0390	707748	1	KIT, Chute Assembly -(CE/Export Only) (Incl. Ref. Nos. 4, 16, 43, 45, 85, 86, 87, 88, 89, 90, 91 & 92)
16	-----	2	*WASHER, Flat -(Included with Ref. No. 0390)
43	-----	2	*NUT, Hex Head Lock, Non-metal -(Included with Ref. No. 0390)
45	-----	1	*SCREW, Non-standard -(Included with Ref. No. 0390)
85	-----	1	*SPRING, Tensioned, Chute Deflector -(Included with Ref. No. 0390)
86	-----	1	*DEFLECTOR, Chute -(Included with Ref. No. 0390)
87	-----	1	*PAD, Chute Rubber -(Included with Ref. No. 0390)
88	-----	2	*SCREW, Hex Head -(Included with Ref. No. 0390)
89	-----	1	*NUT, Hex Head Lock, Non-metal -(Included with Ref. No. 0390)
90	-----	1	*CHUTE -(Included with Ref. No. 0390)
91	-----	2	*RIVET, Core -(Included with Ref. No. 0390)

Discharge Chute Group

REF NO	PART NO	QTY	DESCRIPTION
92	-----	1	*RING, Chute -(Included with Ref. No. 0390)
304	1737865YP	1	DECAL, Danger Chute Warning, FR/ENG -(Included with Ref. No. 0390)
304	1727207SM	1	DECAL, Chute Warning, Export -(Included with Ref. No. 0390)
0400	707563	1	KIT, Spring, Chute -(Incl. Ref. Nos. 16, 43, 45 & 85)
16	-----	2	*WASHER, Flat -(Included with Ref. No. 0400)
43	-----	1	*NUT, Hex Head Lock, Non-metal -(Included with Ref. No. 0400)
45	-----	1	*SCREW, Non-standard -(Included with Ref. No. 0400)
85	-----	1	*SPRING, Tensioned, Chute Deflector -(Included with Ref. No. 0400)
0410	707543	1	KIT, Worm Gear Hardware, Chute -(Incl. Ref. Nos. 49, 126, 130, 132 & 133)
49	-----	1	*SPRING, Splitpin -(Included with Ref. No. 0410)
130	-----	1	*BRACKET, Worm -(Included with Ref. No. 0410)
126	-----	2	*NUT -(Included with Ref. No. 0410)
132	-----	2	*BOLT -(Included with Ref. No. 0410)
133	-----	1	*WORM, Turning -(Included with Ref. No. 0410)
0420	707544	1	KIT, Cover, Chute Rotation -(Incl. Ref. Nos. 126, 127, 129 & 131)
126	-----	4	*NUT -(Included with Ref. No. 0420)
127	-----	1	*HEAD, Chute Rotation -(Included with Ref. No. 0420)
129	-----	1	*SELF-LOCK, Assembly, Chute Deflector -(Included with Ref. No. 0420)
131	-----	1	*SCREW, Hex Head -(Included with Ref. No. 0420)
0430	707545	1	KIT, Bracket, Chute Rotation -(Incl. Ref. Nos. 18, 19, 42 & 128)
18	-----	2	*NUT, Hex Head Lock, Non-metal -(Included with Ref. No. 0430)
19	-----	2	*WASHER, Flat -(Included with Ref. No. 0430)
42	-----	2	*BOLT, Square Neck, Cup Head -(Included with Ref. No. 0430)
128	-----	1	*BRACKET, Chute Rotatation -(Included with Ref. No. 0430)
0440	771894	1	KIT, Chute Rotation Rod -(Incl. Ref. Nos. 47, 48, 49, 50, 51 62, 63 & 64)
47	-----	1	*ROD, Hex, Chute Rotation -(Included with Ref. No. 0440)
48	-----	2	*JOINT, Cardan -(Included with Ref. No. 0440)
49	-----	4	*SPRING, Splitpin -(Included with Ref. No. 0440)
50	-----	1	*ROD, Rotation, Chute -(Included with Ref. No. 0440)
51	-----	1	*ROD, Rotation, Chute -(Included with Ref. No. 0440)

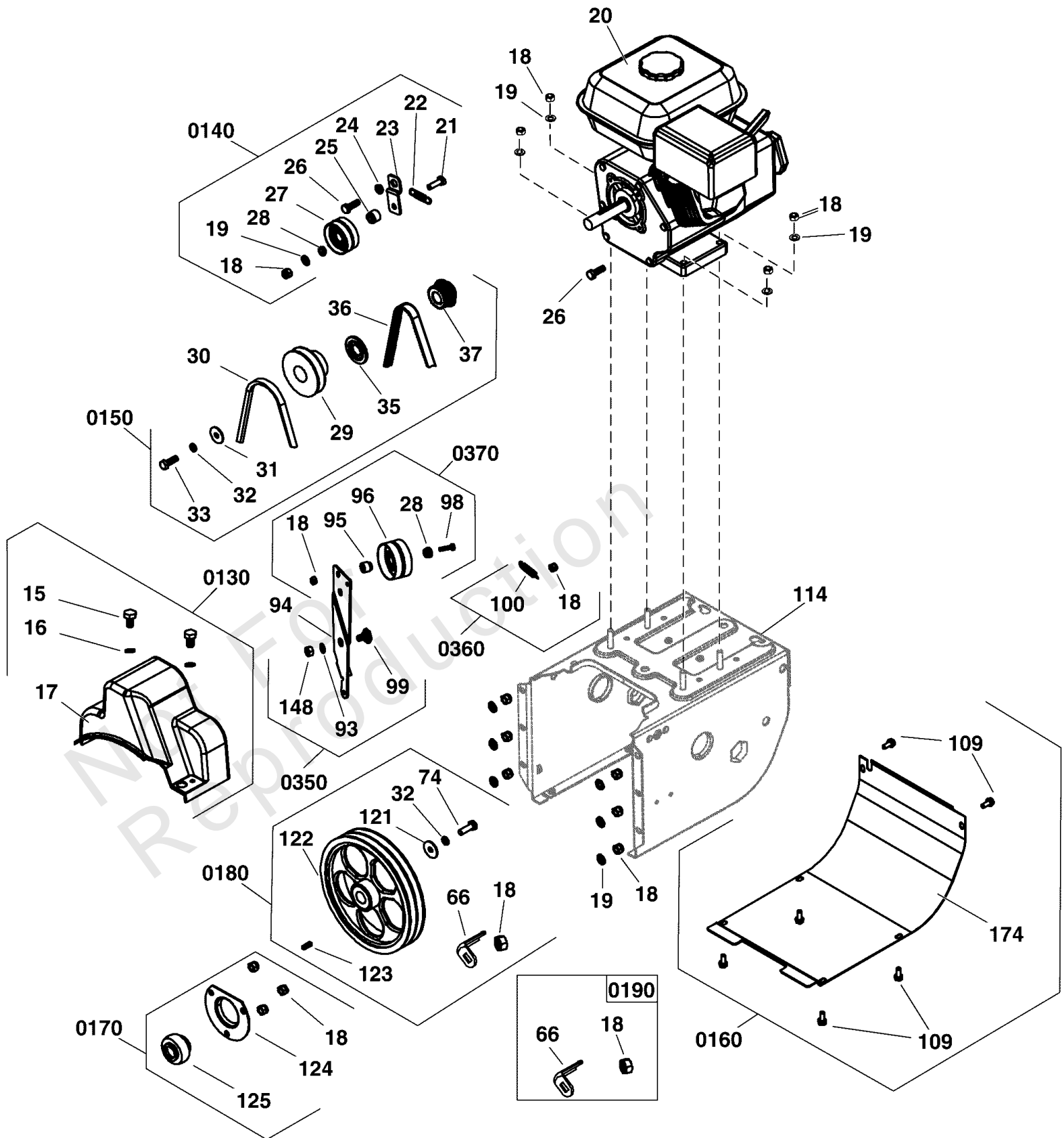
Discharge Chute Group

REF NO	PART NO	QTY	DESCRIPTION
62	-----	1	*C-CLIP, Shaft -(Included with Ref. No. 0440)
63	-----	1	*WASHER, Flat -(Included with Ref. No. 0440)
64	-----	2	*SCREW, Hex Head -(Included with Ref. No. 0440)
65	-----	1	*SEAT, Bevel Gear
0450	707524	1	KIT, Cardan Joint -(Incl. Ref. Nos. 48 & 49)
48	-----	1	*JOINT, Cardan -(Included with Ref. No. 0450)
49	-----	2	*SPRING, Splitpin -(Included with Ref. No. 0450)
0580	707516	1	KIT, Cable-Chute Deflector -(Incl. Ref. Nos. 38 & 73)
38	-----	1	*HOOK, Cable -(Included with Ref. No. 0580)
73	-----	1	*CABLE, Chute Deflector -(Included with Ref. No. 0580)
0690	709757	1	KIT, Bracket, Chute Rotation Hardware -(Incl. Ref. Nos. 18, 19 & 42)
18	-----	1	*NUT, Hex Head Lock, Non-metal -(Included with Ref. No. 0690)
19	-----	1	*WASHER, Flat -(Included with Ref. No. 0690)
42	-----	1	*BOLT, Square Neck, Cup Head -(Included with Ref. No. 0690)
0700	84002905	1	KIT, Hardware, Chute Rotation -(Incl. Ref. Nos. 91, 92)
91	-----	2	RIVET, 4 X 13
92	-----	1	ADAPTER, Chute Ring

Engine & Frame Group

Note: Unless noted otherwise, use the standard torque specifications

Mfg. No: 1696614-01



Engine & Frame Group

REF NO	PART NO	QTY	DESCRIPTION
18	-----	4	*NUT, Hex Head Lock, Non-metal -(Refer to Note: *)
19	-----	4	*WASHER, Flat -(Refer to Note: *)
20	13A137-0004-F1	1	**ENGINE, 9.5 Gross TP Briggs & Stratton -(Engine Model: 13A137-0004-F1)
26	-----	1	*SCREW, Hex Head -(Refer to Note: *)
30	707584	1	BELT, Auger Drive
36	707585	1	BELT, Traction Drive
94	770804	1	IDLER, Auger
114	-----	1	*BOX, Frame -(Refer to Note: *)
0130	707567	1	KIT, Belt Cover -(Incl. Ref. Nos. 15, 16 & 17)
15	-----	2	*SCREW, Hex Head -(Included with Ref. No. 0130)
16	-----	2	*WASHER, Flat -(Included with Ref. No. 0130)
17	-----	1	*COVER, Belt -(Included with Ref. No. 0130)
0140	707568	1	KIT, Idler Pulley, Traction Drive -(Incl. Ref. Nos. 18, 19, 21, 22, 23, 24, 25, 26, 27 & 28)
18	-----	1	*NUT, Hex Head Lock, Non-metal -(Included with Ref. No. 0140)
19	-----	1	*WASHER, Flat -(Included with Ref. No. 0140)
21	-----	1	*SCREW, Hex Head -(Included with Ref. No. 0140)
22	-----	1	*SPRING -(Included with Ref. No. 0140)
23	-----	1	*PLATE, Tensioning, Small -(Included with Ref. No. 0140)
24	-----	1	*PAD, Tensioning Plate, Small -(Included with Ref. No. 0140)
25	-----	1	*PAD, Tensioning Wheel, Small -(Included with Ref. No. 0140)
26	-----	1	*SCREW, Hex Head -(Included with Ref. No. 0140)
27	-----	1	*WHEEL, Tensioning Assembly, Small -(Included with Ref. No. 0140)
28	-----	1	*Washer -(Included with Ref. No. 0140)
0150	770141	1	KIT, Engine Pulley -(Incl. Ref. Nos. 29, 30, 31, 32, 33, 35, 36 & 37)
29	-----	1	*PULLEY, Impeller Drive -(Included with Ref. No. 0150)
30	707584	1	BELT, Auger Drive
31	-----	1	*WASHER, Flat -(Included with Ref. No. 0150)
32	-----	1	*WASHER, Spring -(Included with Ref. No. 0150)
33	-----	1	*SCREW, Hex Head -(Included with Ref. No. 0150)
35	-----	1	*RING, Retainer, Synch-pulley -(Included with Ref. No. 0150)

Footnotes:

Note** To verify your specific engine model, please reference the ID Tag located on your engine. See your local Briggs & Stratton distributor for parts and service.
Note:* Not a serviceable part.

Engine & Frame Group

REF NO	PART NO	QTY	DESCRIPTION
36	707585	1	BELT, Traction Drive
37	-----	1	*SYNCH-PULLEY -(Included with Ref. No. 0150)
0160	707542	1	KIT, Bottom Cover -(Incl. Ref. Nos. 109 & 174)
109	-----	6	*SCREW, Hex Head -(Included with Ref. No. 0160)
174	-----	1	*COVER, Motor Box, Lower -(Included with Ref. No. 0160)
0170	707548	1	KIT, BEARING HARDWARE, AUGER PULLEY -(Incl. Ref. Nos. 18, 124 & 125)
18	-----	3	*NUT, Hex Head Lock, Non-metal -(Included with Ref. No. 0170)
124	-----	1	*COVER, Round Bottom -(Included with Ref. No. 0170)
125	-----	1	*BEARING, Ball -(Included with Ref. No. 0170)
0180	707743	1	KIT, Auger Pulley -(Incl. Ref. Nos. 18, 32, 66, 74, 121, 122 & 123)
18	-----	1	*NUT, Hex Head Lock, Non-metal -(Included with Ref. No. 0180)
32	-----	1	*WASHER, Spring -(Included with Ref. No. 0180)
66	-----	1	*BAFFLE, Belt -(Included with Ref. No. 0180)
74	-----	1	*SCREW, Hex Head -(Included with Ref. No. 0180)
121	-----	1	*WASHER, Flat -(Included with Ref. No. 0180)
122	-----	1	*PULLEY, Drive -(Included with Ref. No. 0180)
123	-----	1	*KEY, Flat -(Included with Ref. No. 0180)
0190	707547	1	KIT, BELT GUIDE, AUGER -(Incl. Ref. Nos. 18 & 66)
18	-----	1	*NUT, Hex Head Lock, Non-metal -(Included with Ref. No. 0190)
66	-----	1	*BAFFLE, Belt -(Included with Ref. No. 0190)
0350	707565	1	KIT-HARDWARE, IDLER BRACKET -(Incl. Ref. Nos. 93, 99 & 148)
93	-----	1	*WASHER, Flat -(Included with Ref. No. 0350)
99	-----	1	*SCREW, Hex Head -(Included with Ref. No. 0350)
148	-----	1	*NUT, Hex Head Lock, Non-metal -(Included with Ref. No. 0350)
0360	707654	1	KIT, Spring, Idler Pulley -(Incl. Ref. Nos. 18 & 100)
18	-----	1	*NUT, Hex Head Lock, Non-metal -(Included with Ref. No. 0360)
100	-----	1	*SPRING -(Included with Ref. No. 0360)
0370	707566	1	KIT-IDLER PULLEY, TENSION PLATE -(Incl. Ref. Nos. 18, 28, 95, 96 & 98)

Footnotes:

Note** To verify your specific engine model, please reference the ID Tag located on your engine. See your local Briggs & Stratton distributor for parts and service.
Note:* Not a serviceable part.

Engine & Frame Group

REF NO	PART NO	QTY	DESCRIPTION
18	-----	1	*NUT, Hex Head Lock, Non-metal -(Included with Ref. No. 0370)
28	-----	1	*WASHER -(Included with Ref. No. 0370)
95	-----	1	*SLEEVE, Washer -(Included with Ref. No. 0370)
96	-----	1	*WHEEL, Large Tensioning -(Included with Ref. No. 0370)
98	-----	1	*SCREW, Hex Head -(Included with Ref. No. 0370)
--	6219MA	1	CORD, Electric, 10FT. 110V -(Not Illustrated)

Not For
Reproduction

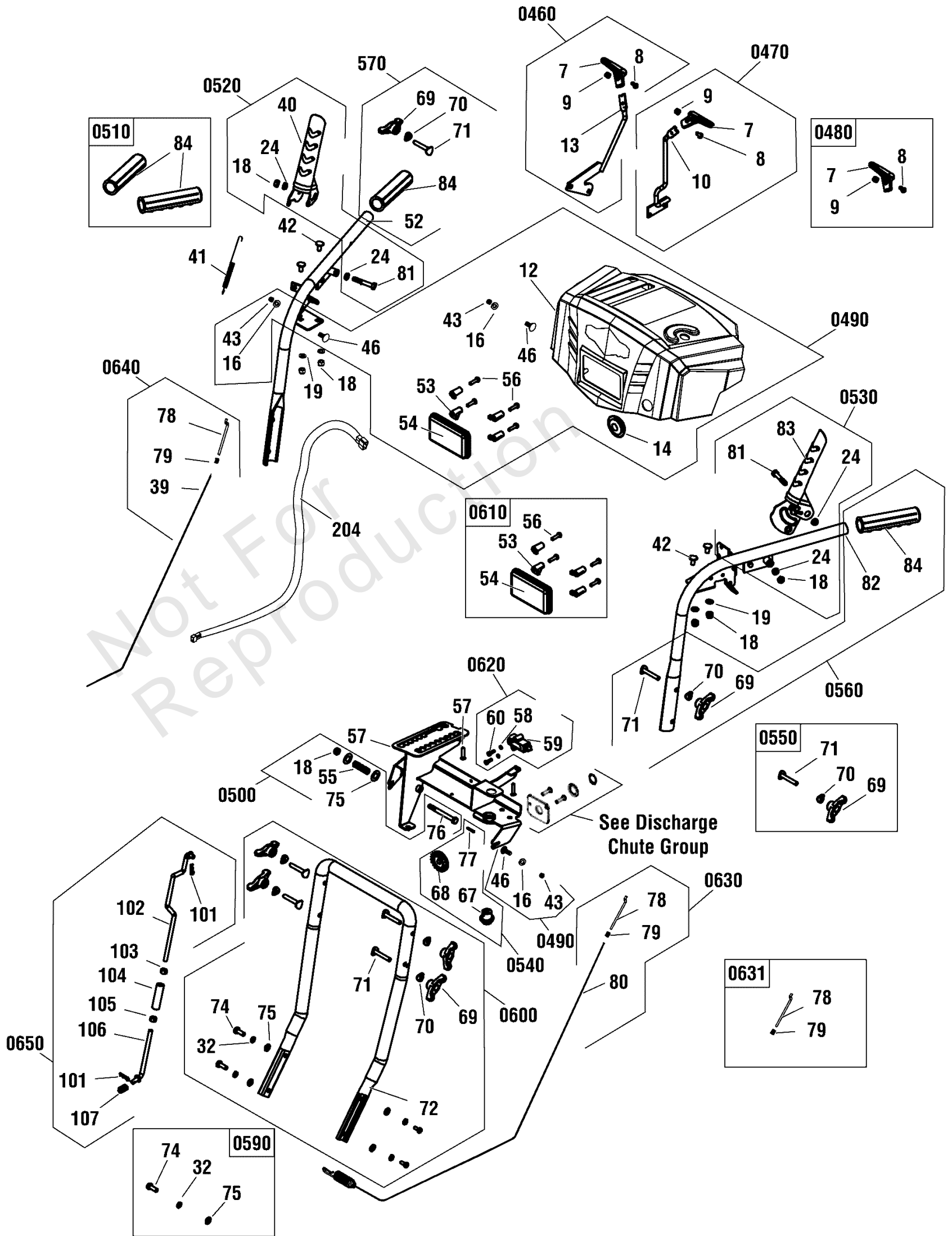
Footnotes:

Note** To verify your specific engine model, please reference the ID Tag located on your engine. See your local Briggs & Stratton distributor for parts and service.
Note:* Not a serviceable part.

Handles & Controls Group

Note: Unless noted otherwise, use the standard torque specifications

Mfg. No: 1696614-01



Handles & Controls Group

REF NO	PART NO	QTY	DESCRIPTION
0460	770081	1	KIT, Lever, Speed -(Incl. Ref. Nos. 7, 8, 9 & 13)
7	-----	1	*KNOB -(Refer to Note: *) (Included with Ref. No. 0460)
8	-----	1	*BOLT, Phillips Head -(Refer to Note: *) (Included with Ref. No. 0460)
9	-----	1	*NUT, Hex Head Lock, Non-metal -(Refer to Note: *) (Included with Ref. No. 0460)
13	-----	1	*LEVER, Control, Drive Speed -(Refer to Note: *) (Included with Ref. No. 0460)
0470	707505	1	KIT, Lever, Discharge Chute -(Incl. Ref. Nos. 7, 8, 9 & 10)
7	-----	1	*KNOB -(Refer to Note: *) (Included with Ref. No. 0470)
8	-----	1	*BOLT, Phillips Head -(Refer to Note: *) (Included with Ref. No. 0470)
9	-----	1	*NUT, Hex Head Lock, Non-metal -(Refer to Note: *) (Included with Ref. No. 0470)
10	-----	1	*LEVER, Control, Discharge Chute -(Refer to Note: *) (Included with Ref. No. 0470)
0480	707504	1	KIT, Knob, Lever -(Incl. Ref. Nos. 7, 8 & 9)
7	-----	1	*KNOB -(Refer to Note: *) (Included with Ref. No. 0480)
8	-----	1	*BOLT, Phillips Head -(Refer to Note: *) (Included with Ref. No. 0480)
9	-----	1	*NUT, Hex Head Lock, Non-metal -(Refer to Note: *) (Included with Ref. No. 0480)
0490	770072	1	KIT, Dash Panel, Briggs -(Incl. Ref. Nos. 12, 14, 16, 43, 46, 53, 54, 56, 301, 302, 312, 313 & 314)
12	-----	1	*PANEL, Dash -(Refer to Note: *) (Included with Ref. No. 0490)
14	-----	1	*SLEEVE, Rubber -(Refer to Note: *) (Included with Ref. No. 0490)
16	-----	2	*WASHER, Flat -(Refer to Note: *) (Included with Ref. No. 0490)
43	-----	2	*NUT, Hex Head Lock, Non-metal -(Refer to Note: *) (Included with Ref. No. 0490)
46	-----	2	*BOLT, Square Neck, Cup Head -(Refer to Note: *) (Included with Ref. No. 0490)
53	-----	4	*BUCKLE, Lamp -(Refer to Note: *) (Included with Ref. No. 0490)
54	-----	1	*LAMP -(Refer to Note: *) (Included with Ref. No. 0490)
56	-----	6	*BOLT, Phillips Head -(Refer to Note: *) (Included with Ref. No. 0490)
301	1751429YP	1	DECAL, Auger Control -(Included with Ref. No. 0490)
302	1751430YP	1	DECAL, Traction Control -(Included with Ref. No. 0490)
312	-----	1	*DECAL, 1-6 Transmission Speed Control -(Refer to Note: *) (Included with Ref. No. 0490)
313	-----	1	*DECAL, Free Hand Operation -(Refer to Note: *) (Included with Ref. No. 0490)
314	-----	1	*DECAL, Chute Rotation -(Refer to Note: *) (Included with Ref. No. 0490)

Footnotes:

Note:* Not a serviceable part.

Handles & Controls Group

REF NO	PART NO	QTY	DESCRIPTION
0500	707507	1	KIT, Hardware, Speed & Discharge -(Incl. Ref. Nos. 18, 55, 75 & 76)
18	-----	1	*NUT, Hex Head Lock, Non-metal -(Refer to Note: *) (Included with Ref. No. 0500)
55	-----	1	*SPRING -(Refer to Note: *) (Included with Ref. No. 0500)
75	-----	2	*WASHER, Flat -(Refer to Note: *) (Included with Ref. No. 0500)
76	-----	1	*SCREW, Hex Head -(Refer to Note: *) (Included with Ref. No. 0500)
0510	770080	1	KIT, Grip, Handle -(Incl. Qty. 2 Ref. No. 84)
84	-----	2	GRIP, Hand -(Included with Ref. No. 0510)
0520	707509	1	KIT, Right Hand Lever, Traction Drive -(Incl. Ref. Nos. 18, 24, 40 & 81)
18	-----	2	*NUT, Hex Head Lock, Non-metal -(Refer to Note: *) (Included with Ref. No. 0520)
24	-----	1	*PAD, Small Tensioning Plate -(Refer to Note: *) (Included with Ref. No. 0520)
40	-----	1	*LEVER, Traction Drive Engagement Lever -(Refer to Note: *) (Included with Ref. No. 0520)
81	-----	1	*SCREW, Hex Head -(Refer to Note: *) (Included with Ref. No. 0520)
0530	707508	1	KIT, Left Hand Lever, Auger Drive -(Incl. Ref. Nos. 18, 24, 81 & 83)
18	-----	1	*NUT, Hex Head Lock, Non-metal -(Refer to Note: *) (Included with Ref. No. 0530)
24	-----	2	*PAD, Small Tensioning Plate -(Refer to Note: *) (Included with Ref. No. 0530)
81	-----	1	*SCREW, Hex Head -(Refer to Note: *) (Included with Ref. No. 0530)
83	-----	1	*LEVER, Auger Engagement -(Refer to Note: *) (Included with Ref. No. 0530)
0540	770070	1	KIT, Bevel Gear, Chute Rotation -(Incl. Ref. Nos. 68, 68 & 77)
67	-----	1	*GEAR, Bevel -(Refer to Note: *) (Included with Ref. No. 0540)
68	-----	1	*GEAR, Bevel, Turning -(Refer to Note: *) (Included with Ref. No. 0540)
77	-----	1	*PIN, Spring -(Refer to Note: *) (Included with Ref. No. 0540)
0550	707513	1	KIT, Wing Knob, Handle -(Incl. Ref. Nos. 69, 70 & 71)
69	-----	2	*KNOB, Handle -(Refer to Note: *) (Included with Ref. No. 0550)
70	-----	2	*WASHER -(Refer to Note: *) (Included with Ref. No. 0550)
71	-----	2	*BOLT -(Refer to Note: *) (Included with Ref. No. 0550)
0560	770075	1	KIT, Upper Handle, Left -(Incl. Ref. Nos. 69, 70, 71, 82 & 84)
69	-----	2	*KNOB, Handle -(Refer to Note: *) (Included with Ref. No. 0560)
70	-----	2	*WASHER -(Refer to Note: *) (Included with Ref. No. 0560)

Footnotes:

Note:* Not a serviceable part.

Handles & Controls Group

REF NO	PART NO	QTY	DESCRIPTION
71	-----	2	*BOLT -(Refer to Note: *) (Included with Ref. No. 0560)
82	-----	1	*HANDLE, Upper, Left -(Refer to Note: *) (Included with Ref. No. 0560)
84	-----	1	*GRIP -(Refer to Note: *) (Included with Ref. No. 0560)
0570	770076	1	KIT, Upper Handle, Right -(Incl. Ref. Nos. 52, 69, 70, 71, & 84)
52	-----	1	*HANDLE, Upper, Right -(Refer to Note: *) (Included with Ref. No. 0570)
69	-----	2	*KNOB, Handle -(Refer to Note: *) (Included with Ref. No. 0570)
70	-----	2	*WASHER -(Refer to Note: *) (Included with Ref. No. 0570)
71	-----	2	*BOLT -(Refer to Note: *) (Included with Ref. No. 0570)
84	-----	1	*GRIP -(Refer to Note: *) (Included with Ref. No. 0570)
0590	707517	1	KIT, Lower Handle Hardware -(Refer to Note: *) (Included with Ref. No. 0570)
32	-----	4	*WASHER -(Incl. Ref. Nos. 32, 74 & 75)
74	-----	4	*SCREW, Hex Head -(Refer to Note: *) (Included with Ref. No. 0590)
75	-----	4	*WASHER, Flat -(Refer to Note: *) (Included with Ref. No. 0590)
0600	707518	1	KIT, Lower Handle -(Incl. Ref. Nos. 32, 69, 70, 71, 72, 74 & 75)
32	-----	4	*WASHER -(Refer to Note: *) (Included with Ref. No. 0600)
69	-----	4	*KNOB, Handle -(Refer to Note: *) (Included with Ref. No. 0600)
70	-----	4	*WASHER -(Refer to Note: *) (Included with Ref. No. 0600)
71	-----	4	*BOLT -(Refer to Note: *) (Included with Ref. No. 0600)
72	-----	1	*HANDLE, Lower -(Refer to Note: *) (Included with Ref. No. 0600)
74	-----	4	*SCREW, Hex Head -(Refer to Note: *) (Included with Ref. No. 0600)
75	-----	4	*WASHER, Flat -(Refer to Note: *) (Included with Ref. No. 0600)
0610	707519	1	KIT, Headlight -(Incl. Ref. Nos. 32, 69, 70, 71, 72, 74 & 75)
53	-----	4	*BUCKLE, Lamp -(Refer to Note: *) (Included with Ref. No. 0610)
54	-----	1	*LAMP -(Refer to Note: *) (Included with Ref. No. 0610)
56	-----	4	*BOLT, Phillips Head -(Refer to Note: *) (Included with Ref. No. 0610)
41	707877	1	SPRING, Handle
0620	707521	1	KIT, Free Hand Control Assembly -(Incl. Ref. Nos. 58, 59 & 60)
58	-----	2	*WASHER, Spring -(Refer to Note: *) (Included with Ref. No. 0620)

Footnotes:

Note:* Not a serviceable part.

Handles & Controls Group

REF NO	PART NO	QTY	DESCRIPTION
59	-----	1	*SELF-LOCK, Assembly -(Refer to Note: *) (Included with Ref. No. 0620)
60	-----	2	*SCREW, Hex Head -(Refer to Note: *) (Included with Ref. No. 0620)
0630	707760	1	KIT, Cable, Auger Drive -(Incl. Ref. Nos. 78, 79 & 80)
78	-----	1	*ROD, Steel -(Refer to Note: *) (Included with Ref. No. 0630)
79	-----	1	*NUT, Copper -(Refer to Note: *) (Included with Ref. No. 0630)
80	-----	1	*CABLE, Auger -(Refer to Note: *) (Included with Ref. No. 0630)
0631	709758	1	KIT, Cable, Hardware -(Incl. Ref. Nos. 78 & 79)
78	-----	1	*ROD, Steel -(Refer to Note: *) (Included with Ref. No. 0631)
79	-----	1	*NUT, Copper -(Refer to Note: *) (Included with Ref. No. 0631)
0640	707761	1	KIT, Cable, Traction Drive -(Incl. Ref. Nos. 39, 78 & 79)
39	-----	1	*ROD, Steel -(Refer to Note: *) (Included with Ref. No. 0640)
78	-----	1	*ROD, Steel -(Refer to Note: *) (Included with Ref. No. 0640)
79	-----	1	*NUT, Copper -(Refer to Note: *) (Included with Ref. No. 0640)
0650	707526	1	KIT, Traction Drive Rod -(Incl. Ref. Nos. 101, 102, 103, 104, 105, 106 & 107)
101	-----	2	PIN, Hair, Cotter -(Refer to Note: *) (Included with Ref. No. 0650)
102	-----	1	ROD, Speed Select, Upper -(Refer to Note: *) (Included with Ref. No. 0650)
103	-----	1	NUT, Hex, M8 -(Refer to Note: *) (Included with Ref. No. 0650)
104	-----	1	SLEEVE, Adjustment, M8 -(Refer to Note: *) (Included with Ref. No. 0650)
105	-----	1	NUT, Hex, M8 -(Refer to Note: *) (Included with Ref. No. 0650)
106	-----	1	ROD, Speed Select, Lower -(Refer to Note: *) (Included with Ref. No. 0650)
107	-----	1	SPRING, Speed Select -(Refer to Note: *) (Included with Ref. No. 0650)
108	-----	2	WASHER, Flat, 8 X 16 X 1.2 -(Refer to Note: *) (Included with Ref. No. 0650)
57	-----	1	*PANEL, Steel -(Refer to Note: *)
18	-----	4	*NUT, Hex Head Lock, Non-metal -(Refer to Note: *)
19	-----	4	*WASHER, Flat -(Refer to Note: *)
42	-----	4	*BOLT, Square Neck Cup Head -(Refer to Note: *)
204	707637	1	HARNESS, Wiring -(Refer to Note: *)

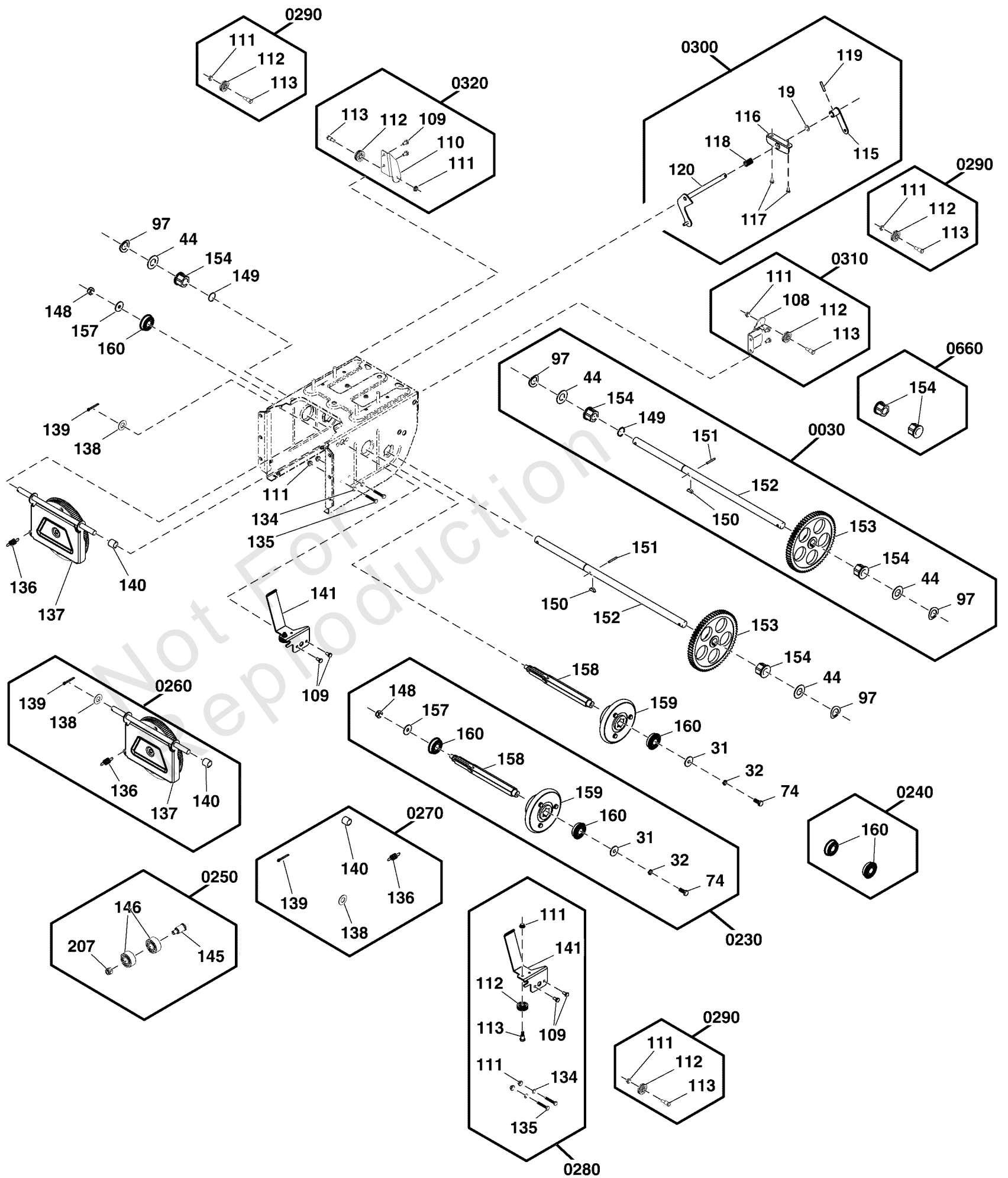
Footnotes:

Note:* Not a serviceable part.

Transaxle Drive Group

Note: Unless noted otherwise, use the standard torque specifications

Mfg. No: 1696614-01



Transaxle Drive Group

REF NO	PART NO	QTY	DESCRIPTION
0030	770078	1	KIT, Axle & Sprocket -(Incl. Ref. Nos. 44, 97, 149, 150, 151, 152, 153, 154)
44	-----	2	WASHER, Flat
97	-----	2	WASHER, Wave, 20
149	-----	1	RING, External Retaining
150	-----	1	KEY, WOODRUFF
151	-----	1	PIN, Spring, 4 X 30
152	-----	1	AXLE
153	-----	1	GEAR, Drive
154	-----	2	SLEEVE, Axle
0230	707535	1	KIT, Friction Wheel & Shaft -(Incl. Ref. Nos. 31, 32, 74, 148, 157, 158, 159, 160)
31	-----	1	WASHER, Flat, 8 X 28 X 3
32	-----	1	WASHER, Lock, M8
74	-----	1	SCREW, Hex Head, M8X20
148	-----	1	NUT, Lock, M10
157	-----	1	WASHER, Flat, 8 X 28 X 2
158	-----	1	SHAFT, Hex
159	-----	1	FRICTION WHEEL ASSEMBLY
160	-----	2	BEARING, Ball
0240	707536	1	KIT, Bearing, Friction Wheel & Shaft -(Incl. Ref. No. 160)
160	-----	2	BEARING, Ball
0250	707539	1	KIT, BEARING, SWING PLATE -(Incl. Ref. Nos. 145, 146, 207)
145	-----	1	SHAFT, Bearing Retainer, M10
146	-----	2	BEARING, Ball
207	-----	1	NUT, Lock, M10
0260	707540	1	KIT, SWINGING PLATE -(Incl. Ref. Nos. 136, 137, 138, 139, 140)
136	-----	1	SPRING, Extension
137	-----	1	PULLEY, Friction
138	-----	1	WASHER, Flat, 13 X 24 X 2
139	-----	1	PIN, Cotter, 2.5 X 30
140	-----	1	SLEEVE, Spacer
0270	707538	1	KIT, SPRING, SWINGING PLATE -(Incl. Ref. Nos. 136, 138, 139, 140)
136	-----	1	SPRING, Extension
138	-----	1	WASHER, Flat, 13 X 24 X 2
139	-----	1	PIN, Cotter, 2.5 X 30
140	-----	1	SLEEVE, Spacer
0280	84003842	1	KIT, Belt Guide -(Incl. Ref. Nos. 109, 111, 112, 113, 134, 135, 141)
109	-----	2	SCREW, Hex Head W/ Flat Washer, M6 X 12
111	-----	3	NUT, HEX FLANGE HEAD, M6
112	-----	1	PULLEY, Cable
113	-----	1	SCREW, M6 X 12, Hex Head Shoulder
134	-----	2	WASHER, 6x12x.7, Flat
135	-----	2	SCREW, Hex Head, M6 X 35
141	-----	1	GUIDE, Belt
0290	707541	3	KIT, Pulley, Cable -(Incl. Ref. Nos. 111, 112, 113)
111	-----	1	NUT, HEX FLANGE HEAD, M6

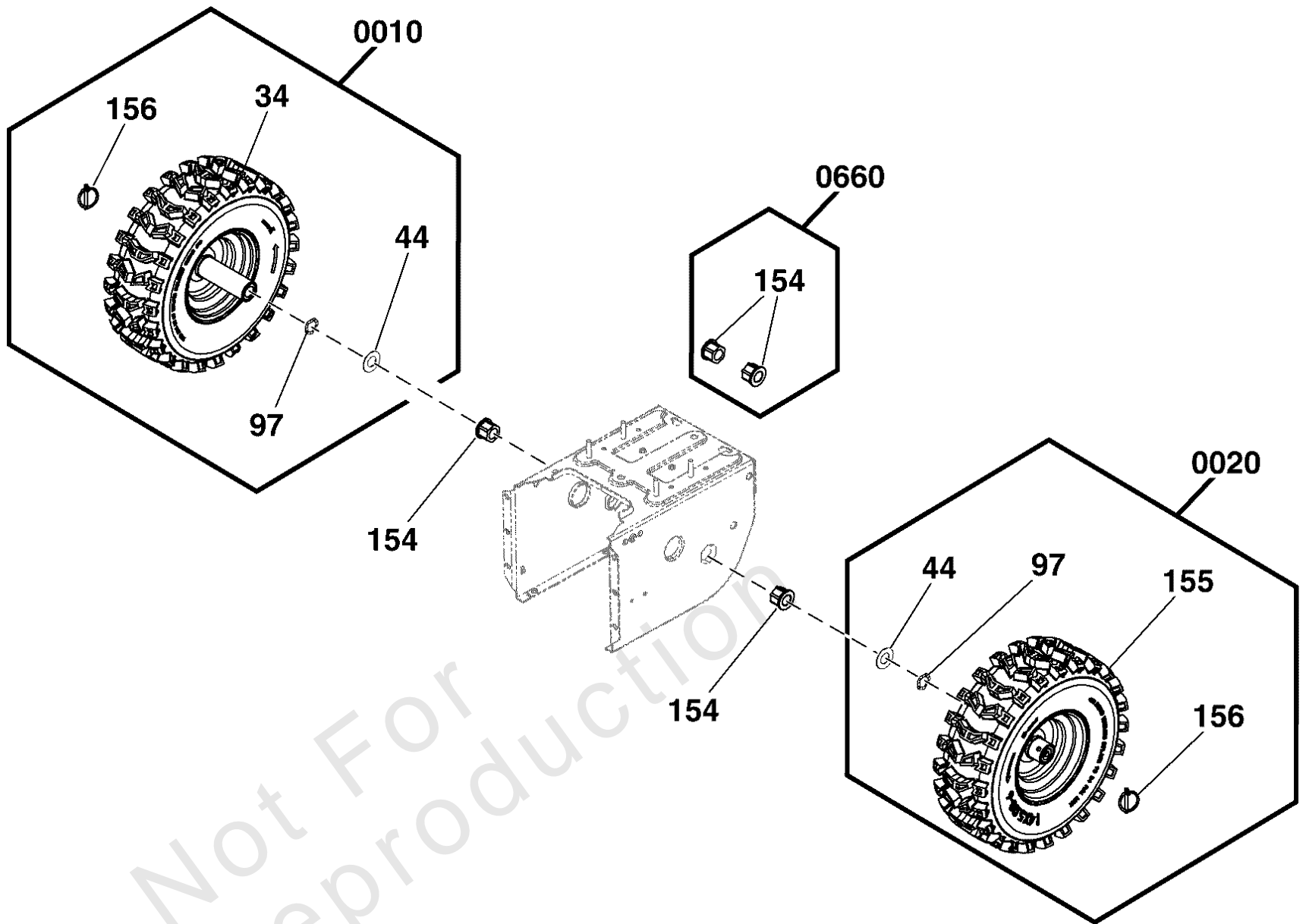
Transaxle Drive Group

REF NO	PART NO	QTY	DESCRIPTION
112	-----	1	PULLEY, Cable
113	-----	1	SCREW, M6 X 12, Hex Head Shoulder
0300	707527	1	KIT, Shift Rod -(Incl. Ref. Nos. 19, 115, 116, 117, 118, 119, 120)
19	-----	1	WASHER, Flat, 8 X 16 X 1.2
115	-----	1	ARM, Speed Select
116	-----	1	BRACKET, Speed Select
117	-----	2	SCREW, Hex Head W/ Flat Washer, M6 X 12
118	-----	1	SPRING, Compression
119	-----	1	PIN, Spring, 6 X 30
120	-----	1	ROD, Speed Select, Fork
0310	707528	1	KIT, Cable Base, Auger Drive -(Incl. Ref. Nos. 108, 109, 111, 112, 113)
108	-----	1	BRACKET, Cable Guide, Auger Control
109	-----	2	SCREW, Hex Head W/ Flat Washer, M6 X 12
111	-----	1	NUT, HEX FLANGE HEAD, M6
112	-----	1	PULLEY, Cable
113	-----	1	SCREW, M6 X 12, Hex Head Shoulder
0320	707529	1	KIT, Cable Base, Traction Drive -(Incl. Ref. Nos. 109, 110, 111, 112, 113)
109	-----	2	SCREW, Hex Head W/ Flat Washer, M6 X 12
110	-----	1	BRACKET, Cable Guide, Traction Control
111	-----	1	NUT, HEX FLANGE HEAD, M6
112	-----	1	PULLEY, Cable
113	-----	1	SCREW, M6 X 12, Hex Head Shoulder
0660	707532	1	KIT, AXLE SLEEVE -(Incl. Ref. Nos. 154)
154	-----	2	SLEEVE, Axle

Wheels & Tires Group

Note: Unless noted otherwise, use the standard torque specifications

Mfg. No: 1696614-01



Wheels & Tires Group

REF NO	PART NO	QTY	DESCRIPTION
0010	707534	1	KIT, Wheel & Tire, Right -(Incl. Ref. Nos. 34, 44, 97, 156)
34	-----	1	WHEEL ASSEMBLY, 14 X 5, Right
44	-----	1	WASHER, Flat
97	-----	1	WASHER, Wave, 20
156	-----	1	PIN, Klik
0020	707533	1	KIT, Wheel & Tire, Left -(Incl. Ref. Nos. 44, 97, 155, 156)
44	-----	1	WASHER, Flat
97	-----	1	WASHER, Wave, 20
155	-----	1	WHEEL ASSEMBLY, 14 X 5, Left
156	-----	1	PIN, Klik
0660	707532	1	KIT, AXLE SLEEVE -(Incl. Ref. No. 154)
154	-----	2	SLEEVE, Axle

Not For Reproduction

