



Parts Manual

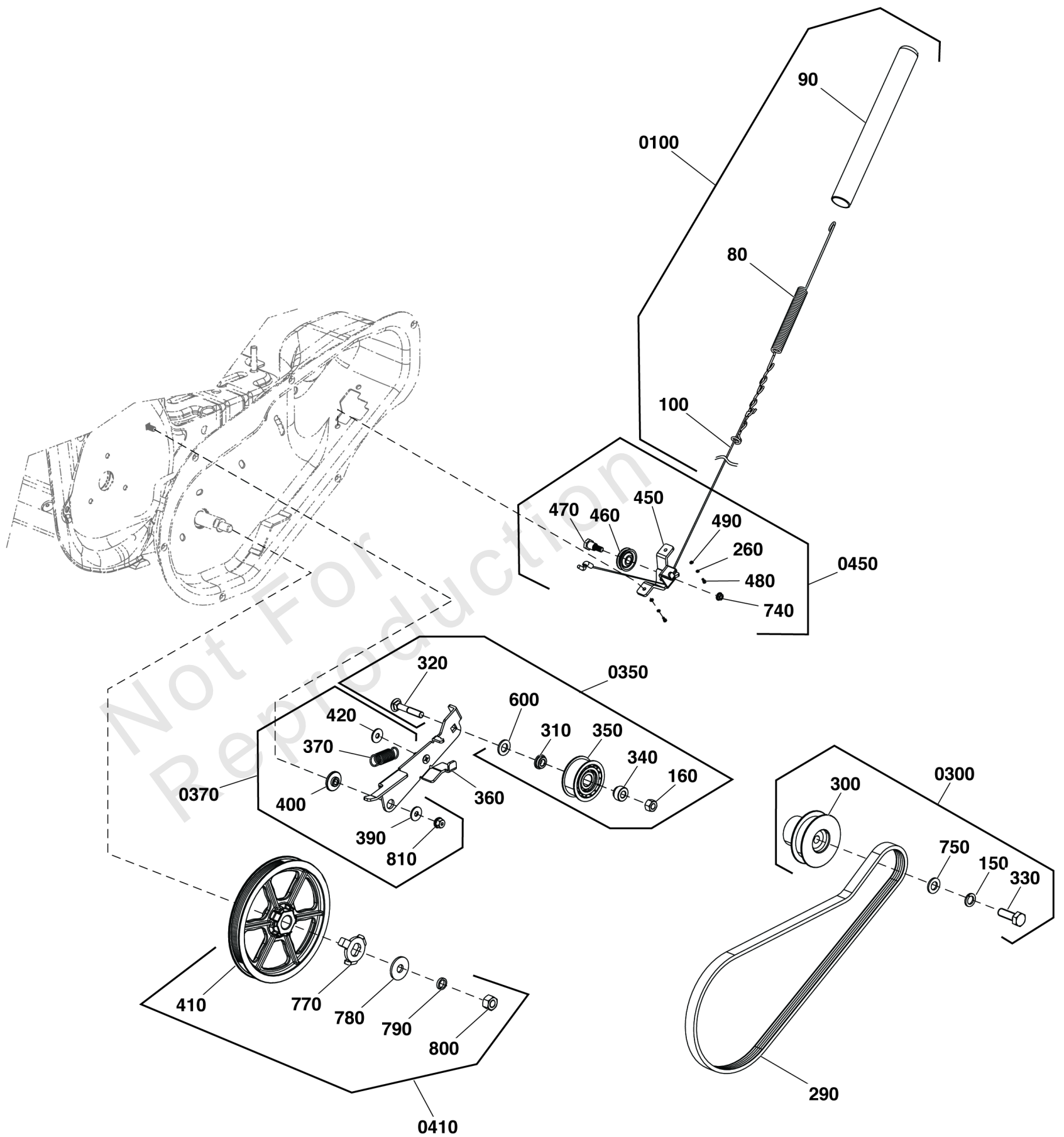
Mfg. No: 1696715-01
1022E, B&S 9.5 Gross TP 22" Single
Stage Snowthrower (2019)



Auger Drive Group

Note: Unless noted otherwise, use the standard torque specifications

Mfg. No: 1696715-01



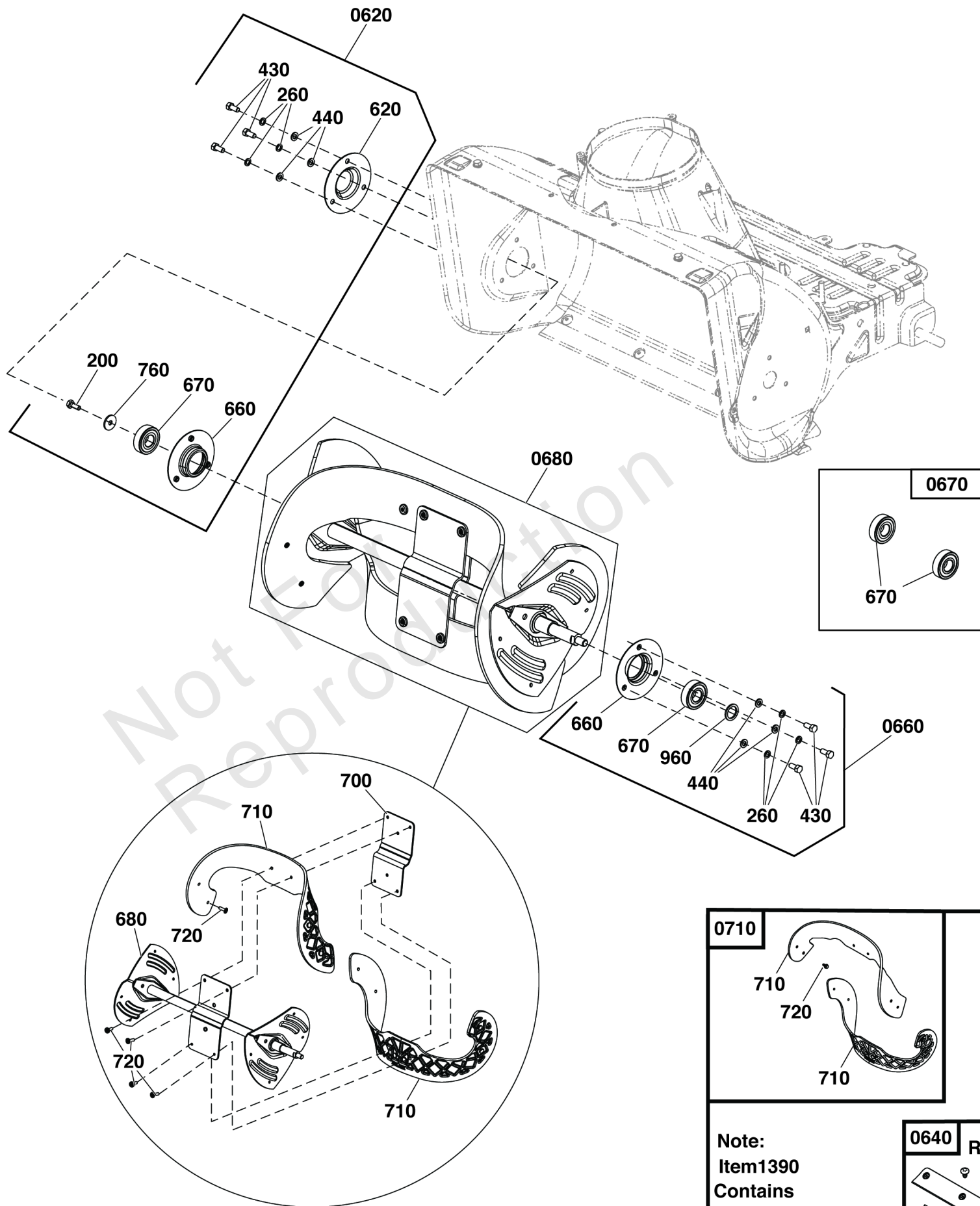
Auger Drive Group

| REF NO | PART NO | QTY | DESCRIPTION |
|--------|---------|-----|--|
| 290 | 709868 | 1 | BELT, Drive |
| 360 | 709927 | 1 | PLATE, Tension |
| 0100 | 709870 | 1 | KIT, AUGER CABLE -(Incl. Ref. Nos. 80, 90, 100) |
| 80 | ----- | 1 | SPRING, Cable |
| 90 | ----- | 1 | SLEEVE, Rubber |
| 100 | ----- | 1 | CABLE, Auger |
| 0300 | 709876 | 1 | KIT, ENGINE PULLEY -(Incl. Ref. Nos. 150, 300, 330, 750) |
| 150 | ----- | 1 | WASHER, M10, Split Lock |
| 300 | ----- | 1 | PULLEY, Driver |
| 330 | 720016 | 1 | SCREW, 3/8-24 x 1, Hex Head |
| 750 | ----- | 1 | WASHER, 10x28x3, Flat |
| 0350 | 709872 | 1 | KIT, IDLER PULLEY, TENSION PLATE -(Incl. Ref. Nos. 160, 310, 320, 340, 350, 600) |
| 160 | ----- | 1 | NUT, M8, Lock |
| 310 | ----- | 1 | Spacer, 8.5 ID, 18 OD, 6 Thick, Shoulder |
| 320 | ----- | 1 | BOLT, M8x40, Carriage |
| 340 | ----- | 1 | SPACER, Idler Pulley |
| 350 | ----- | 1 | PULLEY, 8 ID, 53 OD, 22 Wide, Idler |
| 600 | ----- | 1 | WASHER, 10x20x1.8, Flat |
| 0370 | 709874 | 1 | KIT, HARDWARE, IDLER BRACKET -(Incl. Ref. Nos. 370, 390, 400, 420, 810) |
| 370 | 709869 | 1 | SPRING, Tension |
| 390 | ----- | 1 | WASHER, 6 X 18 X 1.5, Flat |
| 400 | ----- | 1 | SPACER, Idler Arm |
| 420 | ----- | 1 | WASHER, 8x22x2, Flat |
| 810 | ----- | 1 | * NUT, M6, Flange Head, Lock |
| 0410 | 709875 | 1 | KIT, AUGER PULLEY -(Incl. Ref. Nos. 410, 770, 780, 790, 800) |
| 410 | ----- | 1 | PULLEY, Driven |
| 770 | ----- | 1 | CLAW, Coupling |
| 780 | ----- | 1 | WASHER, 10x25x2, Flat |
| 790 | ----- | 1 | WASHER, M10, Split Lock |
| 800 | ----- | 1 | NUT, Lock, M10 |
| 0450 | 709871 | 1 | KIT, CABLE BASE, AUGER DRIVE -(Incl. Ref. Nos. 260, 450, 460, 470, 480, 490, 740) |
| 260 | ----- | 2 | WASHER, M6, Split Lock, MC |
| 450 | ----- | 1 | BRACKET, Cable Guide |
| 460 | ----- | 1 | PULLEY, Cable |
| 470 | ----- | 1 | SCREW, M6 X 12, Hex Head Shoulder |
| 480 | 7091835 | 2 | SCREW, M6 1.0X12MM, Hex Head, CZ |
| 490 | ----- | 2 | WASHER, 6x12x.7, Flat |
| 740 | ----- | 1 | NUT, M6, Flange Head |

Auger Group

Note: Unless noted otherwise, use the standard torque specifications

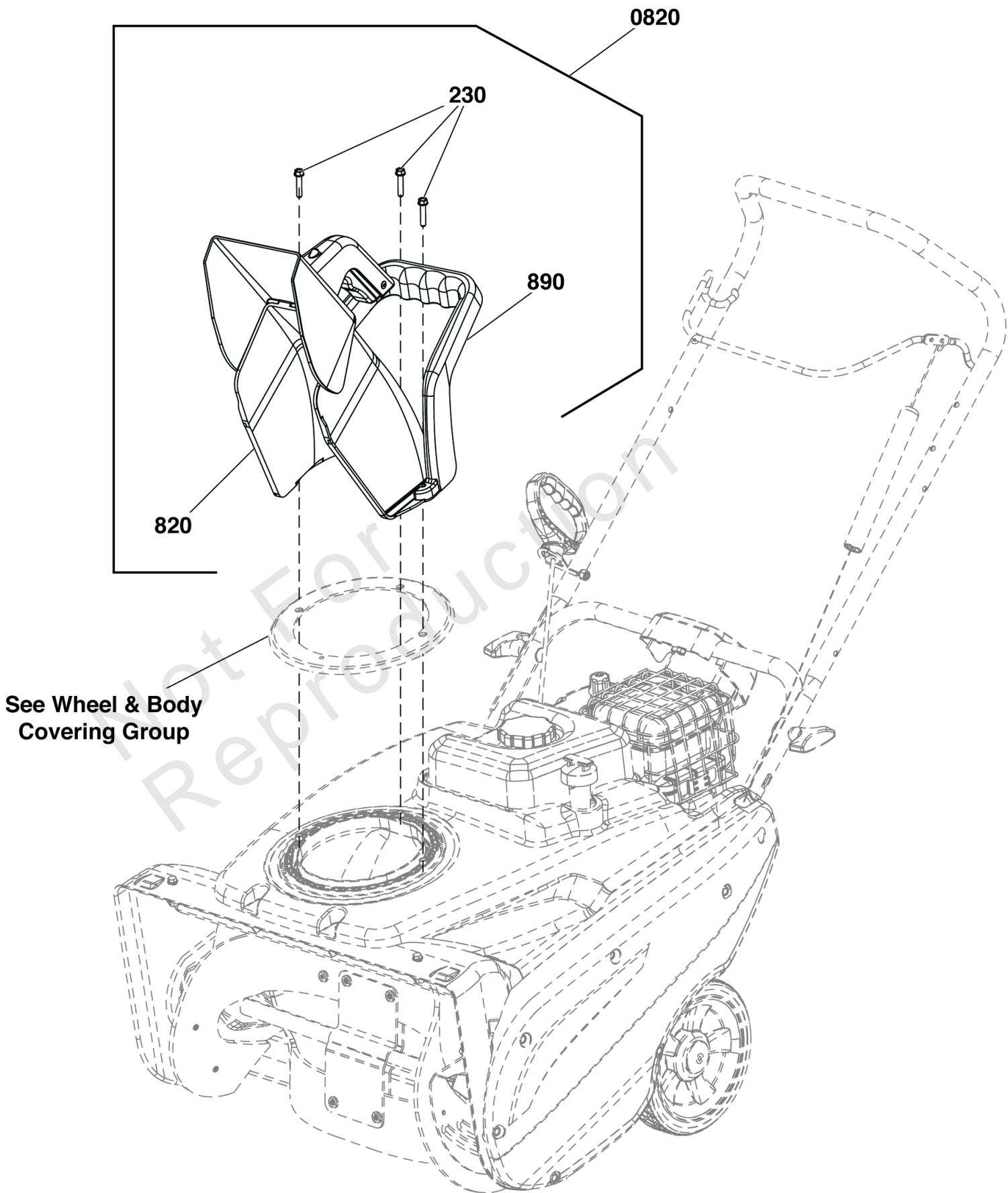
Mfg. No: 1696715-01



| | |
|--|---|
| <p>0710</p> | <p>1390</p> |
| <p>Note: Item 1390 Contains Item 0640 and Item 0710</p> | <p>0640 Ref. Frame Group</p> <p>Ref. Frame Group</p> |
| <p>1390</p> | |

Auger Group

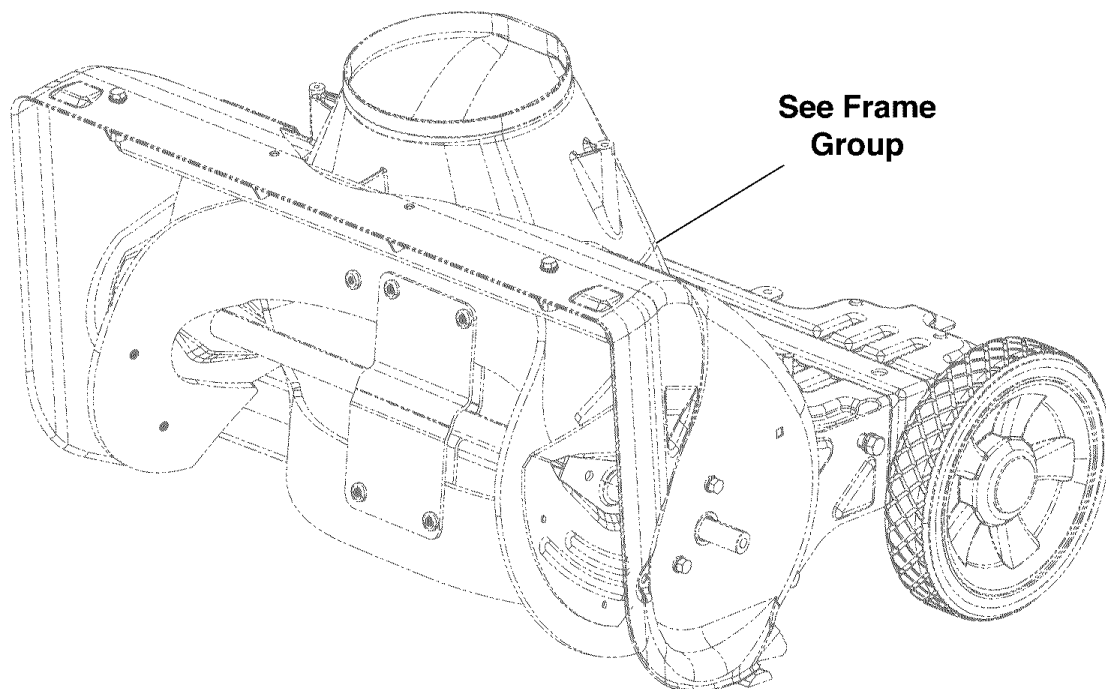
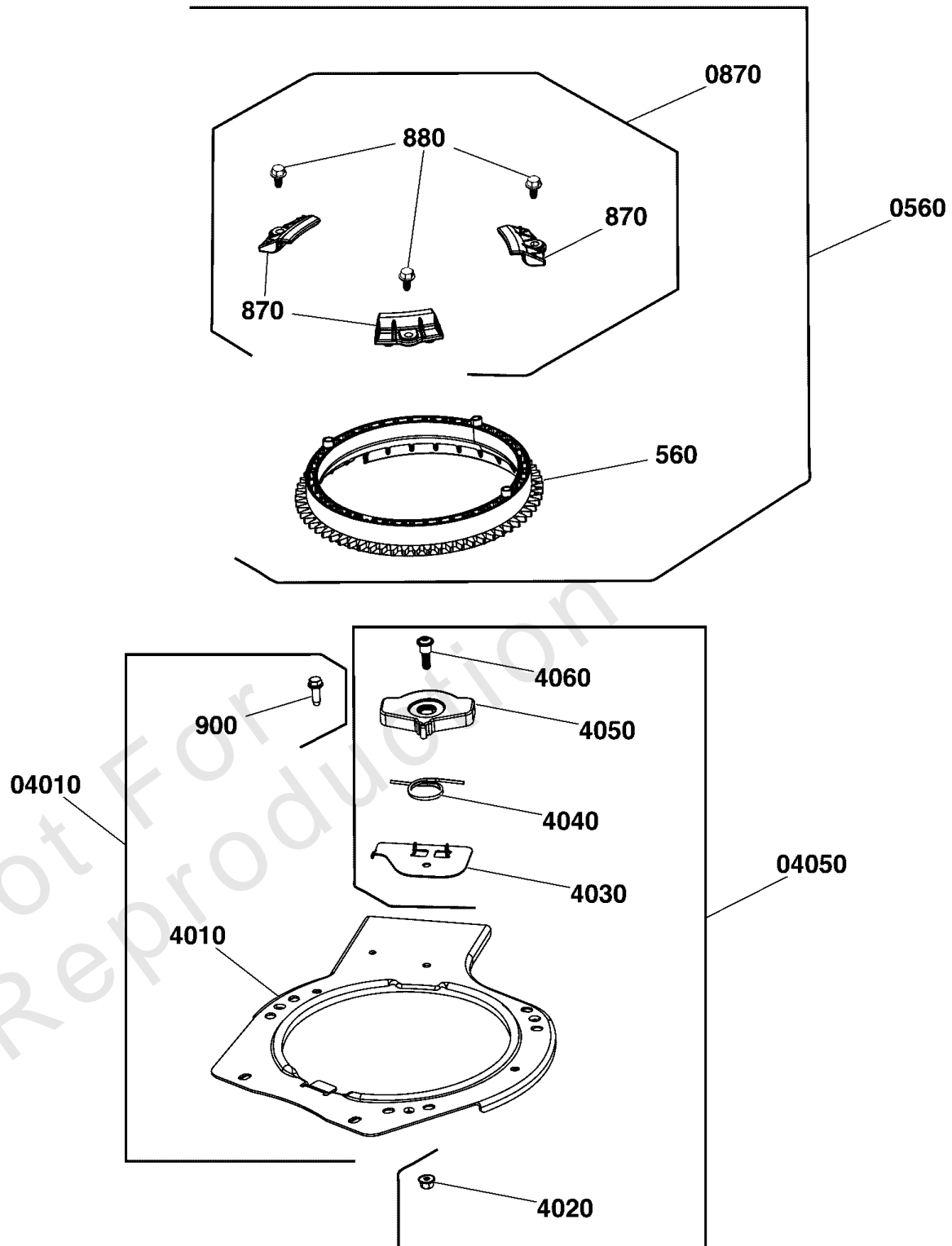
| REF NO | PART NO | QTY | DESCRIPTION |
|--------|-----------|-----|--|
| 0620 | 709882 | 1 | KIT, AUGER BEARING, RIGHT -(Incl. Ref. Nos. 200, 260, 430, 440, 620, 660, 670, 760) |
| 200 | ----- | 1 | BOLT, M6x16, Hex Head |
| 260 | ----- | 6 | WASHER, M6, Split Lock, MC |
| 430 | 7091835 | 6 | SCREW, M6 1.0X12MM, Hex Head, CZ |
| 440 | ----- | 6 | WASHER, 6x12x.7, Flat |
| 620 | ----- | 1 | CAP, Bearing |
| 660 | ----- | 1 | RETAINER, Bearing |
| 670 | ----- | 1 | BEARING |
| 760 | ----- | 1 | WASHER, 6x23x3, Flat |
| 0640 | 770004 | 1 | KIT-SCRAPER BAR -(Incl. Ref. Nos. 380, 630, 640, 650) |
| 380 | 1752935 | 4 | NUT, 1/4-20, Nylon Hex, CZ |
| 630 | 5025299X5 | 4 | SCREW, 1/4-20 x 5/8, Allen Head |
| 640 | ----- | 1 | BAR, Scraper, Robolon |
| 650 | ----- | 1 | SUPPORT, Scraper Blade |
| 0660 | 709878 | 1 | KIT, AUGER BEARING, LEFT -(Incl. Ref. Nos. 260, 430, 440, 660, 670, 960) |
| 260 | ----- | 3 | WASHER, M6, Split Lock, MC |
| 430 | 7091835 | 3 | SCREW, M6 1.0X12MM, Hex Head, CZ |
| 440 | ----- | 3 | WASHER, 6x12x.7, Flat |
| 660 | ----- | 1 | RETAINER, Bearing |
| 670 | ----- | 1 | BEARING |
| 960 | ----- | 1 | WASHER, Flat, 18x24x2 |
| 0670 | 709877 | 1 | KIT, AUGER BEARING -(Incl. Ref. No. 670) |
| 670 | ----- | 2 | BEARING |
| 0680 | 709881 | 1 | KIT-AUGER ASSEMBLY -(Incl. Ref. Nos. 680, 700, 710, 720) |
| 680 | ----- | 1 | SHAFT, Auger Assembly |
| 700 | ----- | 1 | PLATE, Center |
| 710 | 1739727 | 2 | FLIGHT, Auger |
| 720 | 7091246 | 12 | SCREW, 1/4-20 x 3/4" Pan Head Self-Tap (Torx) BZ |
| 0710 | 1687804 | 1 | KIT, AUGER FLIGHT -(Incl. Ref. Nos. 710, 720) |
| 710 | 1739727 | 2 | FLIGHT, Auger |
| 720 | 7091246 | 12 | SCREW, 1/4-20 x 3/4" Pan Head Self-Tap (Torx) BZ |
| 1390 | 709879 | 1 | KIT, AUGER FLIGHT & SCRAPER BAR -(Incl. Ref. Nos. 380, 630, 640, 650, 710, 720) |
| 380 | 1752935 | 4 | NUT, 1/4-20, Nylon Hex, CZ |
| 630 | 5025299X5 | 4 | SCREW, 1/4-20 x 5/8, Allen Head |
| 640 | ----- | 1 | BAR, Scraper, Robolon |
| 650 | ----- | 1 | SUPPORT, Scraper Blade |
| 710 | 1739727 | 2 | FLIGHT, Auger |
| 720 | 7091246 | 12 | SCREW, 1/4-20 x 3/4" Pan Head Self-Tap (Torx) BZ |



Chute Group - Manual

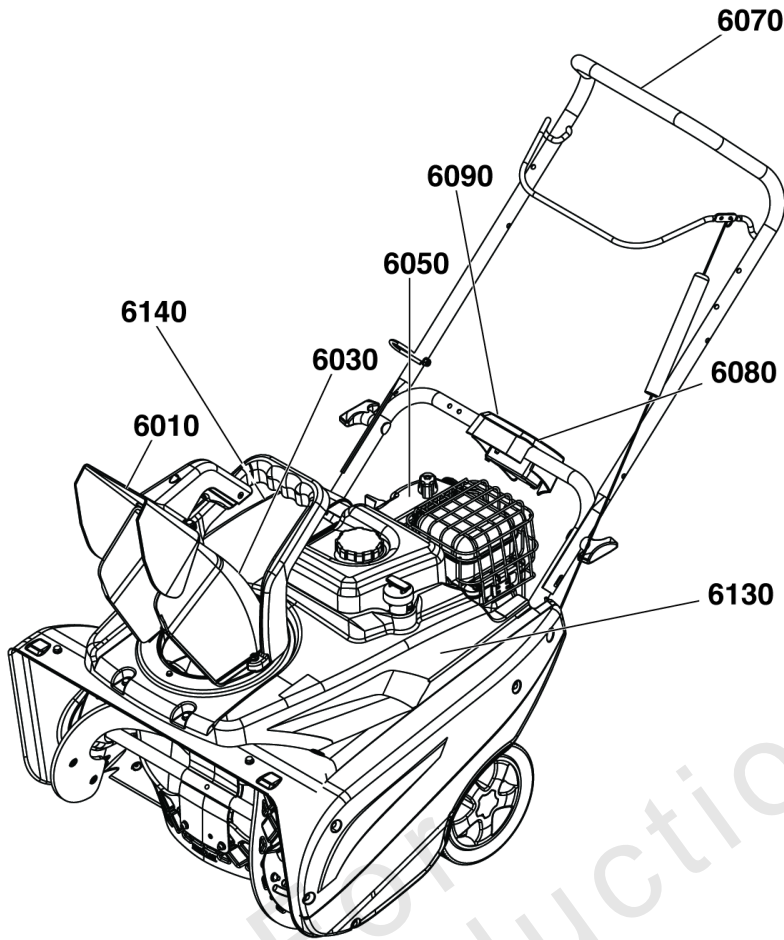
| REF NO | PART NO | QTY | DESCRIPTION |
|--------|-----------|-----|---|
| 0820 | 709921 | 1 | KIT, CHUTE ASSEMBLY -(Incl. Ref. Nos. 230, 820, 890, 301, 302) |
| 230 | 1751399YP | 3 | SCREW, Self Tapping, 1/4-15 x 1-1/4 |
| 820 | ----- | 1 | *CHUTE, Assembly, Quick Deflector |
| 890 | 1739692YP | 1 | HANDLE, Chute Rotation |
| 301 | 1737865YP | 1 | DECAL, Danger Chute Warning, FR/ENG |
| 302 | 1739966YP | 1 | DECAL, Chute, FR-EN |

Not For Reproduction

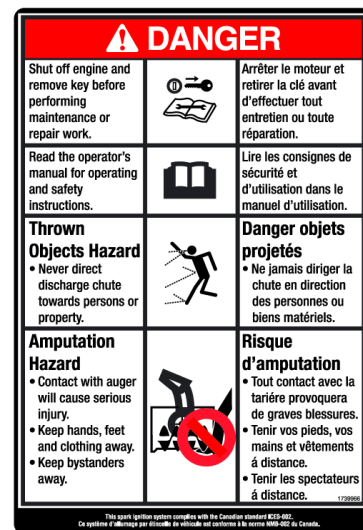


Chute Rotation Group - Manual

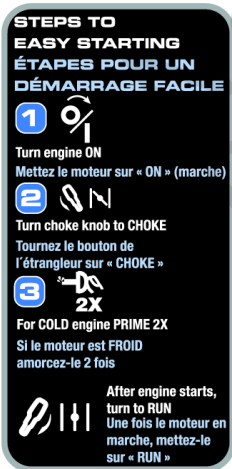
| REF NO | PART NO | QTY | DESCRIPTION |
|--------|---------|-----|--|
| 0560 | 709922 | 1 | KIT, CHUTE GEAR -(Incl. Ref. Nos. 560, 870, 880) |
| 560 | ----- | 1 | GEAR, 65T, 8P, Driven, SS Chute Rotation |
| 870 | ----- | 3 | RETAINER, Chute |
| 880 | 703054 | 3 | SCREW, Hex Washer Head, 1/4-20 x 5/8 |
| 0870 | 709923 | 1 | KIT, CHUTE RETAINER -(Incl. Ref. Nos. 870, 880) |
| 870 | ----- | 3 | RETAINER, Chute |
| 880 | 703054 | 3 | SCREW, Hex Washer Head, 1/4-20 x 5/8 |
| 04050 | 709924 | 1 | KIT, CHUTE ROTATION LEVER -(Incl. Ref. Nos. 4020, 4030, 4040, 4050, 4060) |
| 4020 | 703463 | 1 | NUT, Flange Nylock , 1/4-20 |
| 4030 | ----- | 1 | BASE PLATE |
| 4040 | ----- | 1 | SPRING, Torsion |
| 4050 | ----- | 1 | LEVER, Chute Rotation |
| 4060 | ----- | 1 | SCREW, Shoulder, Button Torx Washer Head, 1/4-20 x 1 |
| 04010 | 709925 | 1 | KIT, CHUTE ADAPTER PLATE -(Incl. Ref. Nos. 900, 4010) |
| 900 | ----- | 2 | *SCREW, Hex Washer, 1/4-15 X 1.00, CZ |
| 4010 | ----- | 1 | *PLATE, Chute Mounting |



6010



6030



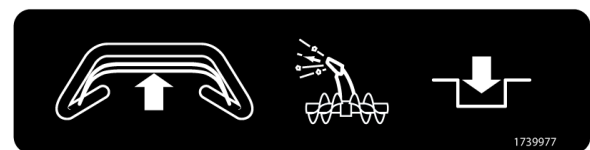
6050



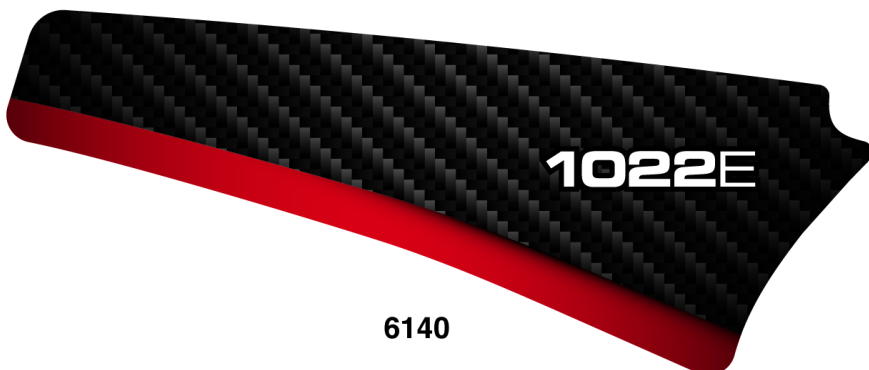
6080



6090



6070



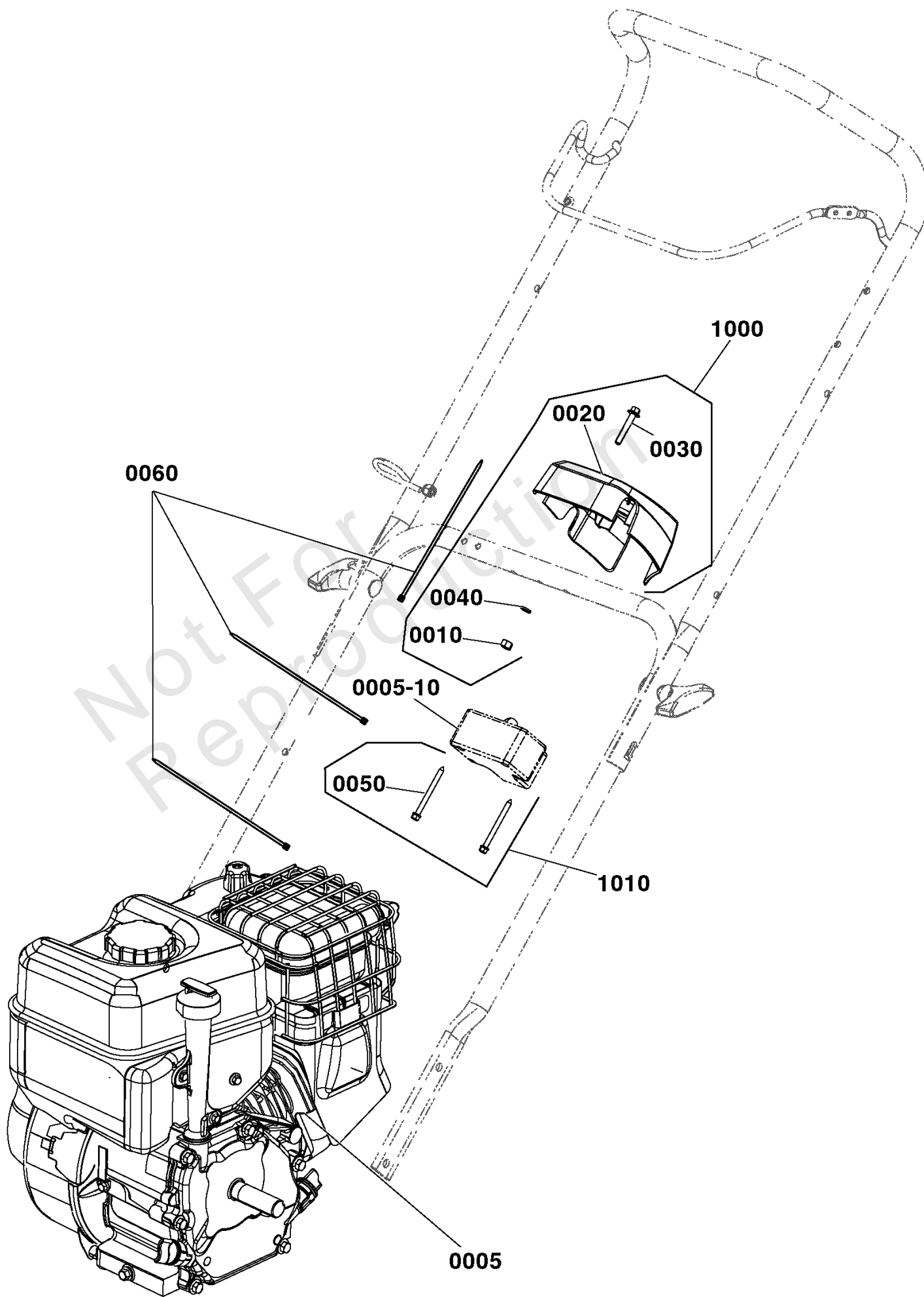
6140



6130

Decals Group

| REF NO | PART NO | QTY | DESCRIPTION |
|--------|-----------|-----|---|
| 0340 | 770355 | 1 | KIT-DECAL SHEET, Electric Start -(Incl. Ref. Nos. 6010, 6030, 6050, 6070, 6080, 6090, 6130 & 6140) |
| 0340 | 770353 | 1 | KIT-DECAL SHEET, Recoil Start -(Incl. Ref. Nos. 6010, 6030, 6050, 6070, 6130 & 6140) |
| 6010 | 1737865YP | 1 | DECAL, Danger Chute Warning, FR/ENG -(Included with Ref. No. 0340) |
| 6030 | 1739966YP | 1 | DECAL, Chute, FR-EN -(Included with Ref. No. 0340) |
| 6050 | 1739970YP | 1 | DECAL, 1-2-3 Start, FR-EN -(Included with Ref. No. 0340) |
| 6070 | 1739977YP | 1 | DECAL, Bail Engagement -(Included with Ref. No. 0340) |
| 6080 | 1750734YP | 1 | DECAL, 4, START, FR-EN -(Included with Ref. No. 0340) (Electric Start) |
| 6090 | 1750736YP | 1 | DECAL, 5, START, FR-EN -(Included with Ref. No. 0340) (Electric Start) |
| 6130 | ----- | 2 | DECAL, Briggs Brand -(Included with Ref. No. 0340) |
| 6140 | ----- | 1 | DECAL, Briggs Model, 1022 -(Included with Ref. No. 0340) (Electric Start) |
| 6140 | ----- | 1 | DECAL, Briggs Model, 1022E -(Included with Ref. No. 0340) (Recoil Start) |



Engine Group

| REF NO | PART NO | QTY | DESCRIPTION |
|---------|----------------|-----|---|
| 0005 | 13A135-0002-F1 | 1 | ENGINE, Briggs & Stratton, 9.5 GTP, Snow Series -(Engine Model: 13A135-0002-F1) (Refer to Note: *) |
| 0005-10 | 591702 | 1 | **MOTOR, Starter -(Refer to Note: **) |
| 1000 | 709863 | 1 | KIT, STARTER HOUSING -(Incl. Ref. Nos. 0010 through 0040) (For electric start only.) |
| 0010 | ----- | 2 | NUT, M6, Lock |
| 0020 | 1754873YP | 1 | HOUSING, Starter, 110V |
| 0030 | ----- | 1 | SCREW, M6x40, Hex Flange Head |
| 0040 | ----- | 1 | WASHER, 6x12x.7, Flat |
| 1010 | 709864 | 1 | KIT, HARDWARE, STARTER -(Incl. Ref. No. 0050) (For electric start only.) |
| 0050 | 703066 | 2 | SCREW, 8-16 x 2, Pan Head Phillips, Plast. |

Not For
Reproduction

Footnotes:

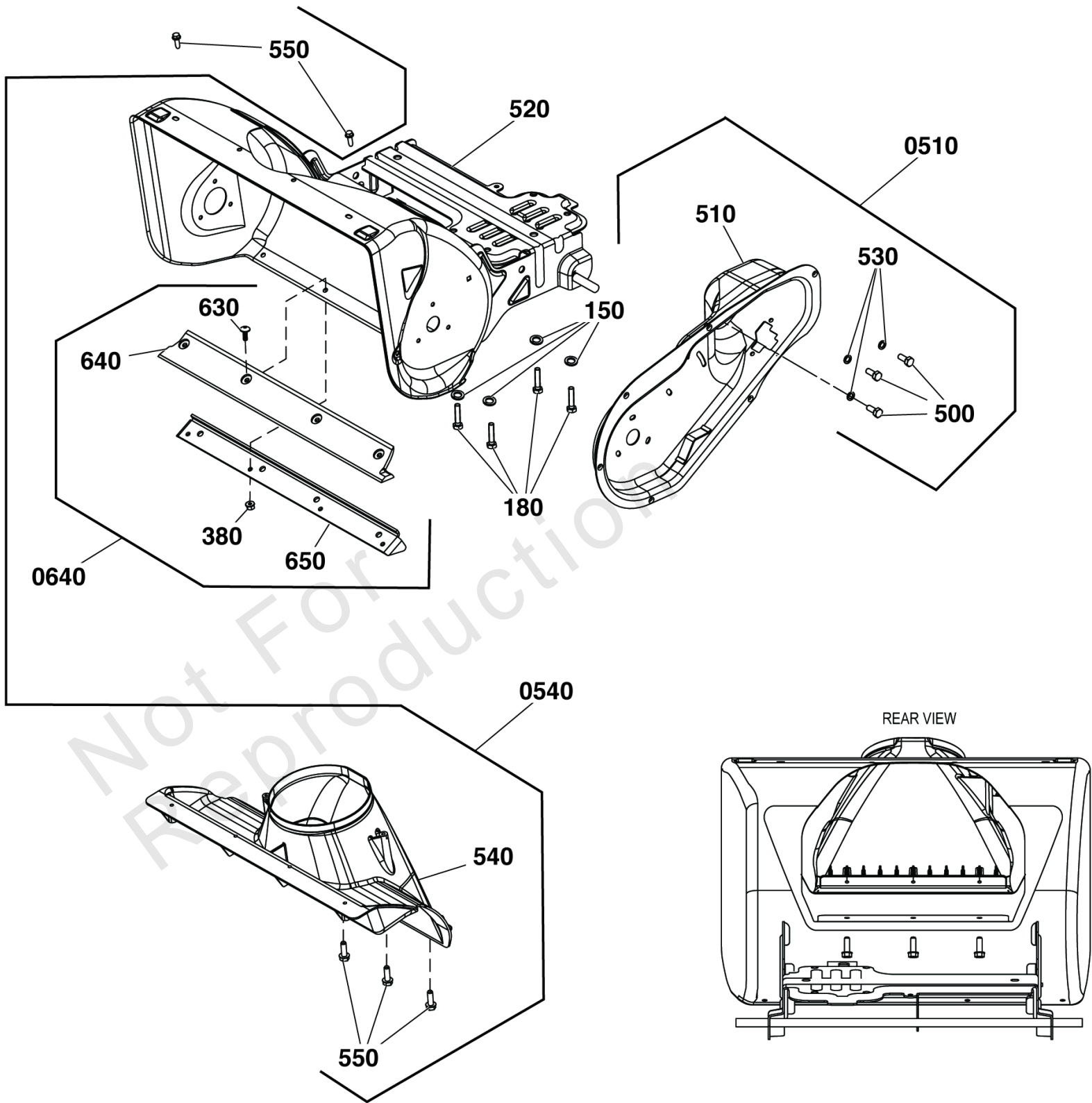
Note** See your local Briggs & Stratton distributor for parts and service.

Note* To verify your specific engine model, please reference the ID Tag located on your engine. See your local Briggs & Stratton distributor for parts and service.

Frame Group

Note: Unless noted otherwise, use the standard torque specifications

Mfg. No: 1696715-01



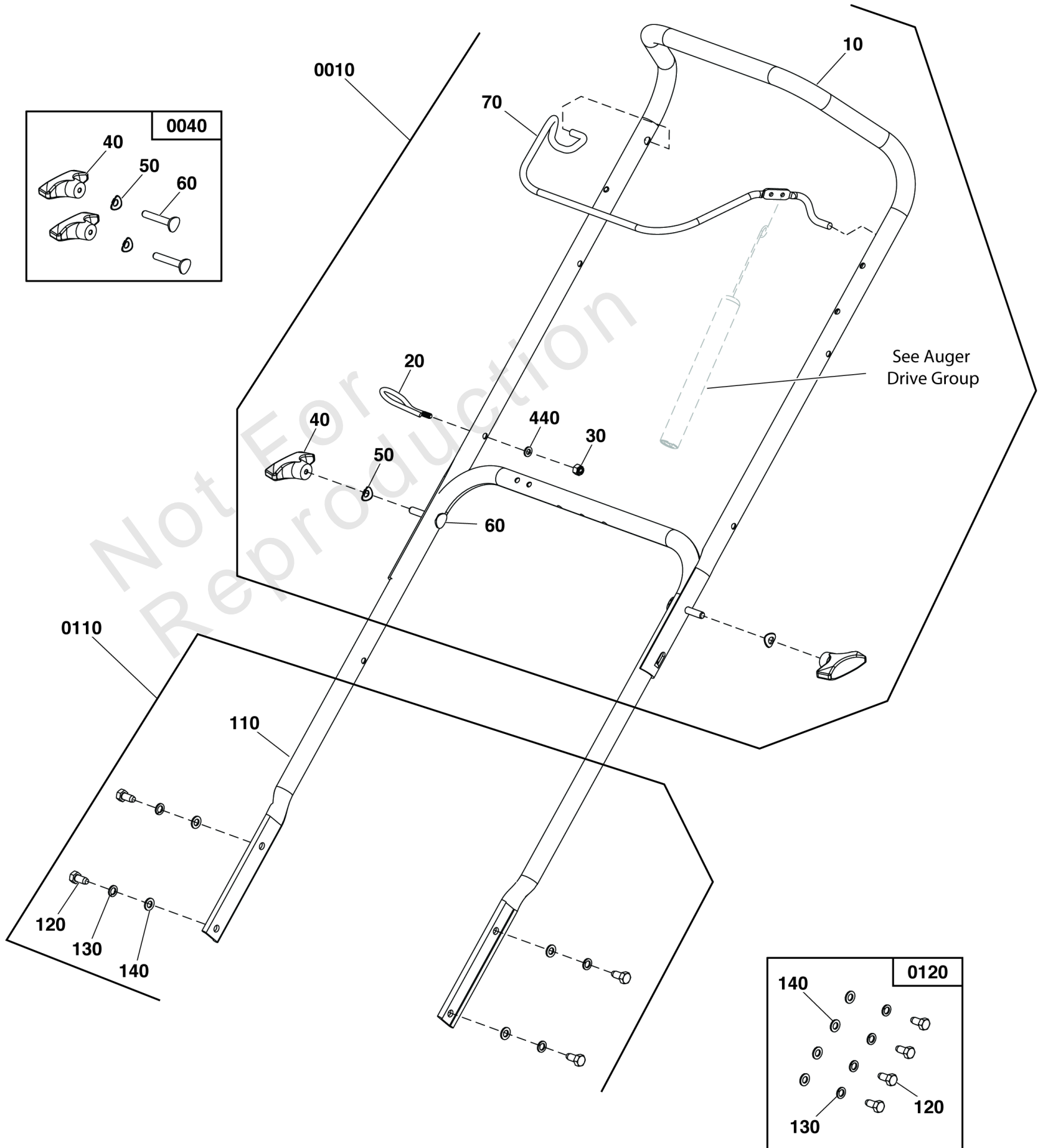
Frame Group

| REF NO | PART NO | QTY | DESCRIPTION |
|--------|-------------|-----|--|
| 150 | ----- | 4 | WASHER, M10, Split Lock |
| 180 | 75246GS | 4 | SCREW, Hex Washer Head, Taptite, 3/8-16 x 1-1/4 |
| 520 | ----- | 1 | HOUSING, Auger |
| 0510 | 709866 | 1 | KIT, DRIVE HOUSING -(Incl. Ref. Nos. 500, 510, 530) |
| 500 | 1752876YP | 3 | CAPSCREW, Hex Head, 5/16-24 x 5/8 |
| 510 | ----- | 1 | HOUSING, Drive |
| 530 | 703116 | 3 | WASHER, Split Lock, .32 x .58 x .08 |
| 0540 | 84004738 | 1 | KIT, CHIMNEY -(Incl. Ref. Nos. 540, 550) |
| 540 | ----- | 1 | CHIMNEY |
| 550 | 7091081SM | 5 | SCREW, 1/4-15X3/4, Self-Tapping, BZ |
| 0640 | 770004 | 1 | KIT-SCRAPER BAR -(Incl. Ref. Nos. 380, 630, 640, 650) |
| 380 | 1752935YP | 4 | NUT, 1/4-20, Nylon Hex, CZ |
| 630 | 5025299X5YP | 4 | SCREW, 1/4-20 X 5/8 |
| 640 | ----- | 1 | BAR, Scraper, Robolon |
| 650 | 1752660AYP | 1 | SUPPORT, Scraper Blade |

Handles & Controls Group

Note: Unless noted otherwise, use the standard torque specifications

Mfg. No: 1696715-01



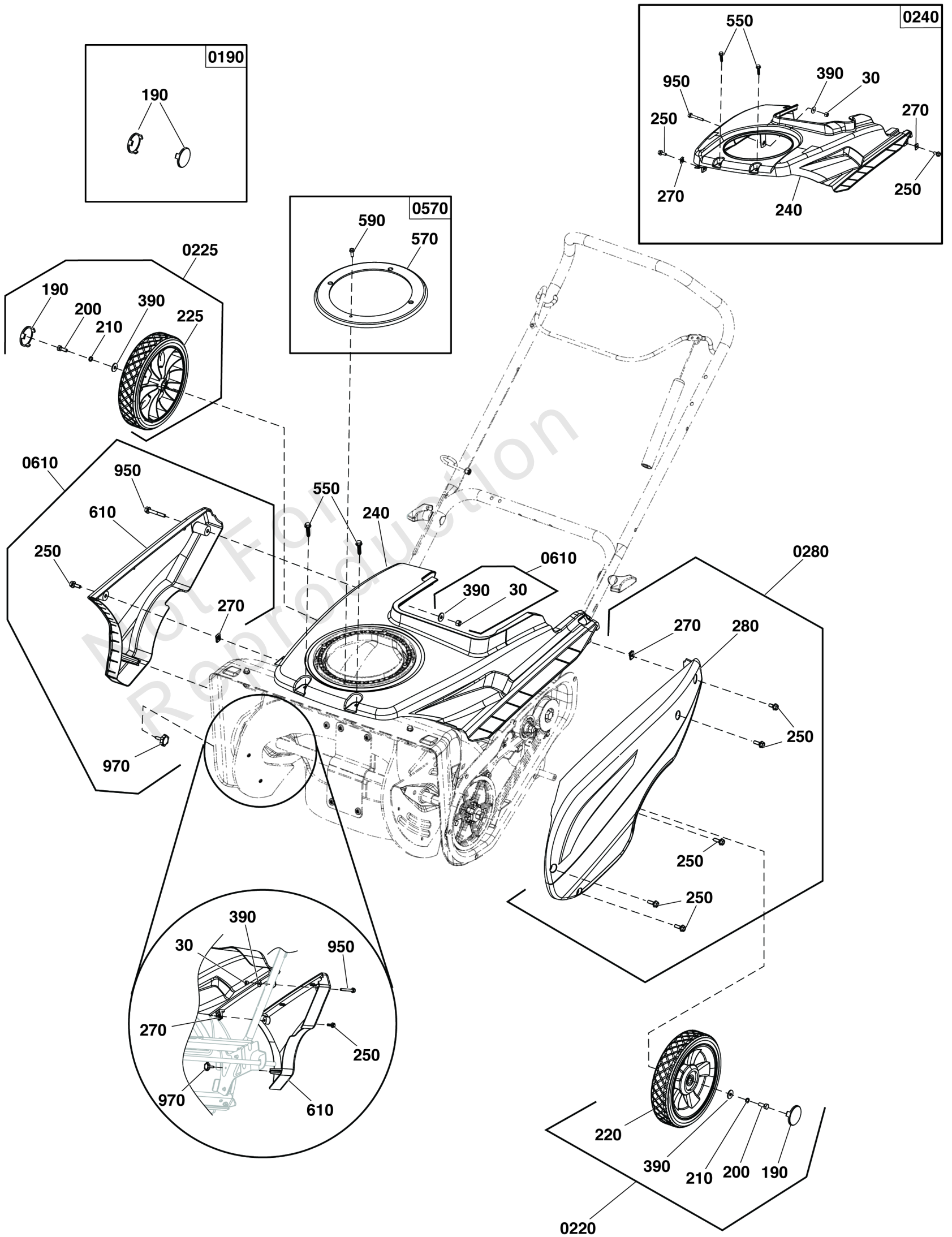
Handles & Controls Group

| REF NO | PART NO | QTY | DESCRIPTION |
|--------|----------|-----|---|
| 0010 | 709860 | 1 | KIT, UPPER HANDLE -(Incl. Ref. Nos. 10, 20, 30, 40, 50, 60, 70, 440) |
| 10 | ----- | 1 | HANDLEBAR, Upper SS |
| 20 | 84002745 | 1 | GUIDE, ROPE |
| 30 | ----- | 1 | NUT, M6, Lock |
| 40 | ----- | 2 | KNOB, Wing, M8 |
| 50 | ----- | 2 | WASHER, M8, Curved |
| 60 | ----- | 2 | BOLT, M8x40, Carriage, Curved Head |
| 70 | 709858 | 1 | BAIL, Engine Stop |
| 440 | ----- | 1 | WASHER, 6x12x.7, Flat |
| 0040 | 709859 | 2 | KIT, UPPER HANDLE HARDWARE -(Incl. Ref. Nos. 40, 50, 60) |
| 40 | ----- | 2 | KNOB, Wing, M8 |
| 50 | ----- | 2 | WASHER, M8, Curved |
| 60 | ----- | 2 | BOLT, M8x40, Carriage, Curved Head |
| 0110 | 709862 | 1 | KIT, LOWER HANDLE -(Incl. Ref. Nos. 110, 120, 130, 140) |
| 110 | ----- | 1 | HANDLE, Lower |
| 120 | 703988 | 4 | CAPSCREW M8-1.25X16 |
| 130 | ----- | 4 | WASHER, Lock, M8 |
| 140 | ----- | 4 | WASHER, Flat, 8 X 16 X 1.2 |
| 0120 | 709861 | 1 | KIT, LOWER HANDLE HARDWARE -(Incl. Ref. Nos. 120, 130, 140) |
| 120 | 703988 | 4 | CAPSCREW M8-1.25X16 |
| 130 | ----- | 4 | WASHER, Lock, M8 |
| 140 | ----- | 4 | WASHER, Flat, 8 X 16 X 1.2 |

Wheel & Body Covering Group

Note: Unless noted otherwise, use the standard torque specifications

Mfg. No: 1696715-01



Wheel & Body Covering Group

| REF NO | PART NO | QTY | DESCRIPTION |
|--------|-----------|-----|--|
| 0190 | 709883 | 1 | KIT, Wheel Cover, Pewter -(Incl. Ref. Nos. 190) |
| 190 | ----- | 2 | COVER, End, Wheel, Pewter |
| 0220 | 709885 | 1 | KIT, WHEEL, LEFT, PEWTER -(Incl. Ref. Nos. 190, 200, 210, 220 & 390) |
| 190 | ----- | 1 | COVER, End, Wheel, Pewter |
| 200 | ----- | 1 | BOLT, M6x16, Hex Head |
| 210 | ----- | 1 | WASHER, M6, Split Lock, MC |
| 220 | ----- | 1 | WHEEL, Left, 1.75 X 8, Pewter |
| 390 | ----- | 1 | WASHER, 6 X 18 X 1.5, Flat |
| 0225 | 770059 | 1 | KIT, WHEEL, RIGHT, PEWTER -(Incl. Ref. Nos. 190, 200, 210, 225 & 390) |
| 190 | ----- | 1 | COVER, End, Wheel, Pewter |
| 200 | ----- | 1 | BOLT, M6x16, Hex Head |
| 210 | ----- | 1 | WASHER, M6, Split Lock, MC |
| 225 | ----- | 1 | WHEEL, Right, 1.75 X 8, Pewter |
| 390 | ----- | 1 | WASHER, 6 X 18 X 1.5, Flat |
| 0240 | 709891 | 1 | KIT, TOP COVER -(Incl. Ref. Nos. 30, 240, 250, 270, 390, 550 & 950) |
| 30 | ----- | 1 | NUT, M6, Lock |
| 240 | ----- | 1 | COVER, Top, Continuum Charcoal |
| 250 | ----- | 2 | SCREW, M6x16, Hex Washer Head |
| 270 | ----- | 2 | NUT, M6, CLIP |
| 390 | ----- | 1 | WASHER, 6 X 18 X 1.5, Flat |
| 550 | 7091081SM | 2 | SCREW, 1/4-15X3/4, Self-Tapping, BZ |
| 950 | ----- | 1 | SCREW, M6x40, Hex Flange Head |
| 0280 | 709896 | 1 | KIT, DRIVE CASE COVER -(Incl. Ref. Nos. 250, 270 & 280) |
| 250 | ----- | 7 | SCREW, M6x16, Hex Washer Head |
| 270 | ----- | 1 | NUT, M6, CLIP |
| 280 | ----- | 1 | COVER, Drive Case, Black |
| 0570 | 709887 | 1 | KIT, CHUTE MOISTURE COVER -(Incl. Ref. Nos. 570 & 590) |
| 570 | ----- | 1 | COVER, Chute Moisture |
| 590 | 316042MA | 1 | CAPSCREW, Hex Washer Head, #10-HL x 5/8 |
| 0610 | 709916 | 1 | KIT, SIDE COVER, RIGHT -(Incl. Ref. Nos. 30, 250, 270, 390, 610, 950 & 970) |
| 30 | ----- | 1 | NUT, M6, Lock |
| 250 | ----- | 2 | SCREW, M6x16, Hex Washer Head |
| 270 | ----- | 2 | NUT, M6, CLIP |
| 390 | ----- | 1 | WASHER, 6 X 18 X 1.5, Flat |
| 610 | ----- | 1 | COVER, Side, Continuum Charcoal |
| 950 | ----- | 1 | SCREW, M6x40, Hex Flange Head |
| 970 | ----- | 1 | SCREW, M5x20, Knob, Self-Tapping |

