



Parts Manual

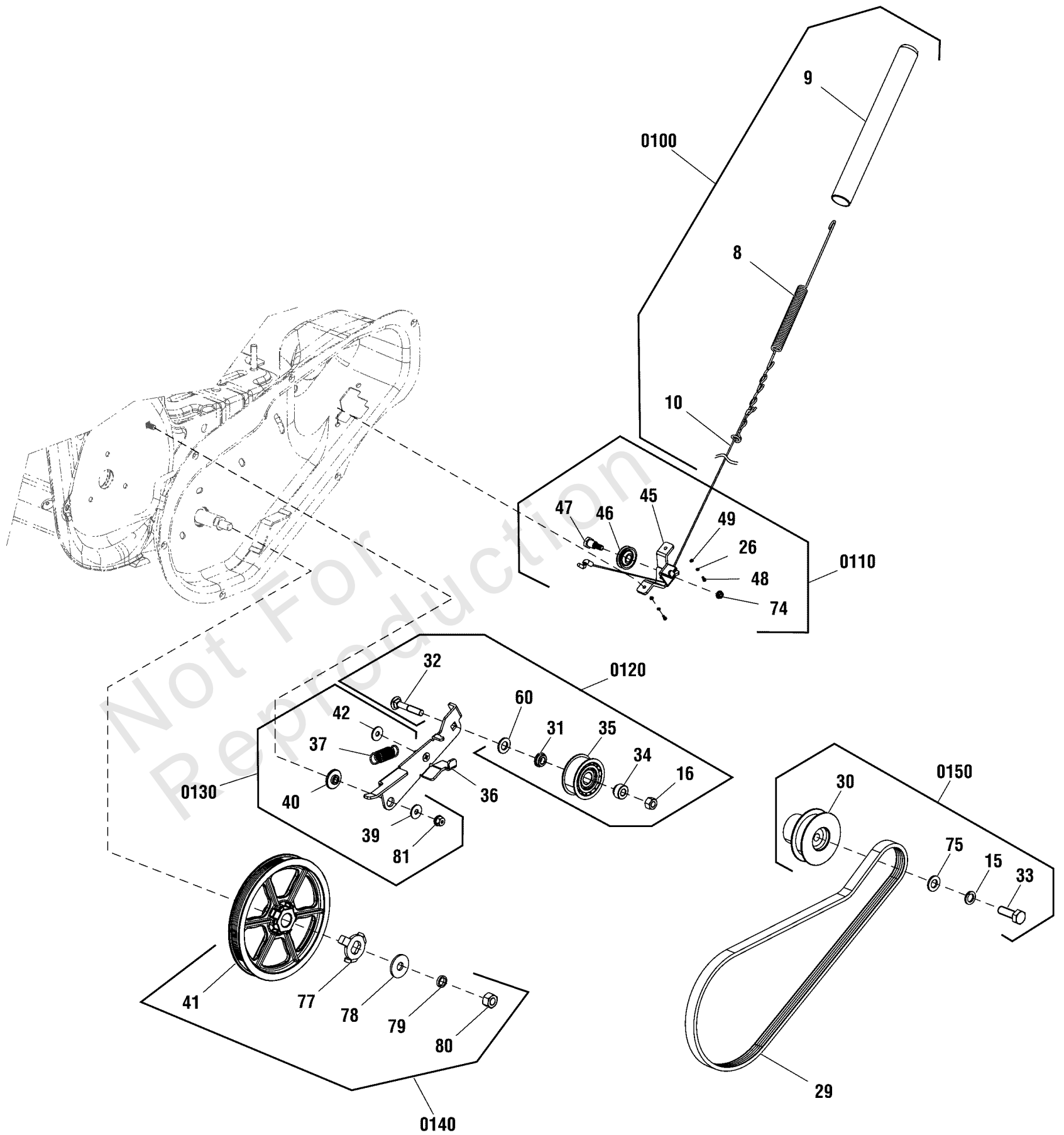
Mfg. No: 1696737-01
1022, B&S 9.5 Gross TP 22" Single Stage
Snowthrower (2019)



Auger Drive Group

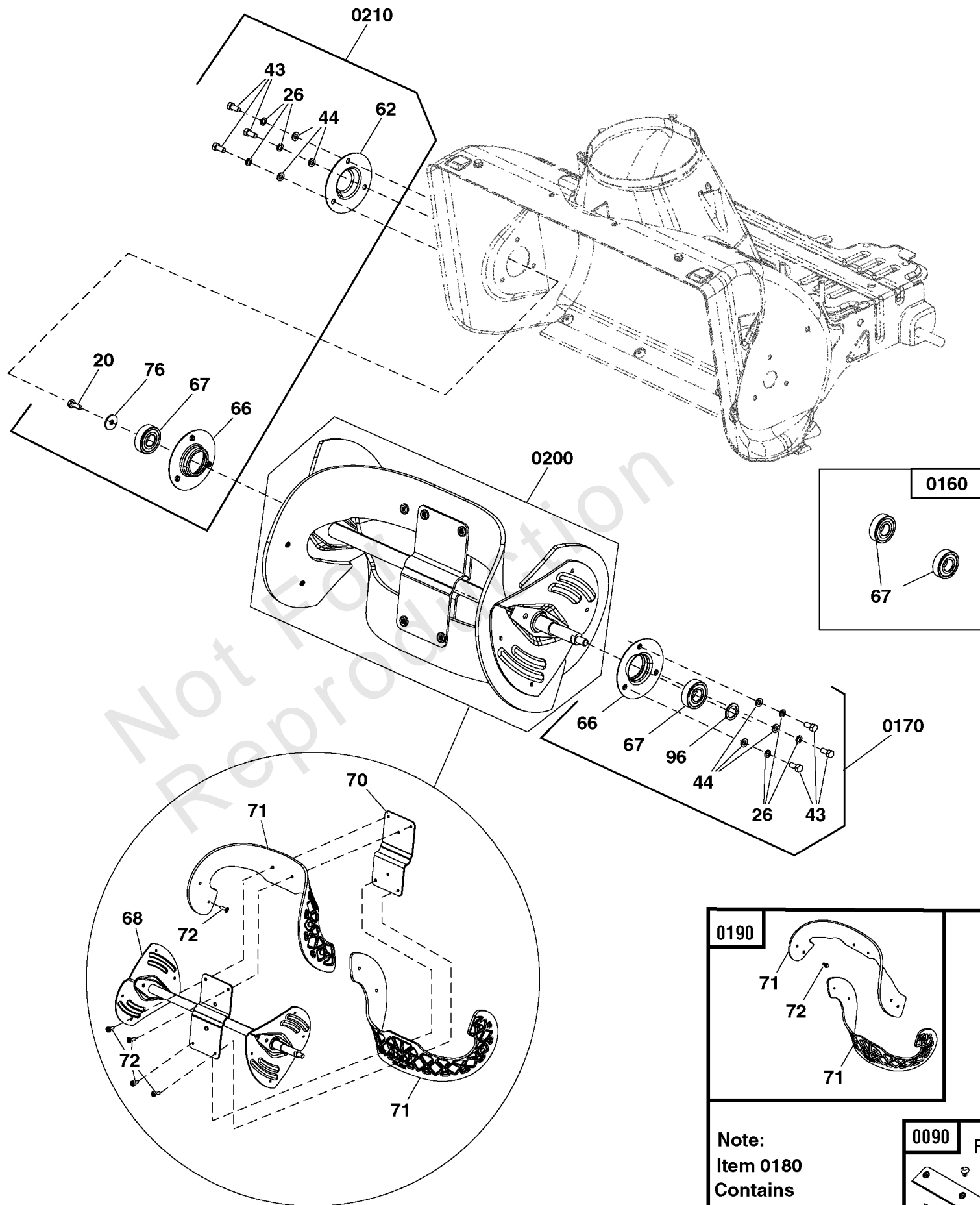
Note: Unless noted otherwise, use the standard torque specifications

Mfg. No: 1696737-01



Auger Drive Group

REF NO	PART NO	QTY	DESCRIPTION
29	709868	1	BELT, Drive
36	709927	1	PLATE, Tension
0100	709870	1	KIT, AUGER CABLE -(Incl. Ref. Nos. 8, 9, 10)
8	-----	1	SPRING, Cable
9	-----	1	SLEEVE, Rubber
10	-----	1	CABLE, Auger
0110	709871	1	KIT, CABLE BASE, AUGER DRIVE -(Incl. Ref. Nos. 26, 45, 46, 47, 48, 49, 74)
26	-----	2	WASHER, M6, Split Lock, MC
45	-----	1	BRACKET, Cable Guide
46	-----	1	SPOOL, Cable, Auger Control
47	-----	1	SCREW, M6 X 12, Hex Head Shoulder
48	7091835	2	SCREW, M6 1.0X12MM, Hex Head, CZ
49	-----	2	WASHER, 6x12x.7, Flat
74	-----	1	NUT, M6, Flange Head
0120	709872	1	KIT, IDLER PULLEY, TENSION PLATE -(Incl. Ref. Nos. 16, 31, 32, 34, 35, 60)
16	-----	1	NUT, M8, Lock
31	-----	1	Spacer, 8.5 ID, 18 OD, 6 Thick, Shoulder
32	-----	1	BOLT, M8x40, Carriage
34	-----	1	SPACER, Idler Pulley
35	-----	1	PULLEY, 8 ID, 53 OD, 22 Wide, Idler
60	-----	1	WASHER, 10x20x1.8, Flat
0130	709874	1	KIT, HARDWARE, IDLER BRACKET -(Incl. Ref. Nos. 37, 39, 40, 42, 81)
37	709869	1	SPRING, Tension
39	-----	1	WASHER, 6 X 18 X 1.5, Flat
40	-----	1	SPACER, Idler Arm
42	-----	1	WASHER, 8x22x2, Flat
81	-----	1	* NUT, M6, Flange Head, Lock
0140	709875	1	KIT, AUGER PULLEY -(Incl. Ref. Nos. 41, 77, 78, 79, 80)
41	-----	1	PULLEY, Driven
77	-----	1	CLAW, Coupling
78	-----	1	WASHER, 10x25x2, Flat
79	-----	1	WASHER, M10, Split Lock
80	-----	1	NUT, Lock, M10
0150	709876	1	KIT, ENGINE PULLEY -(Incl. Ref. Nos. 15, 30, 33, 75)
15	-----	1	WASHER, M10, Split Lock
30	-----	1	PULLEY, Driver
33	720016	1	SCREW, 3/8-24 x 1, Hex Head
75	-----	1	WASHER, 10x28x3, Flat



<p>0190</p>	<p>0180</p>
<p>Note: Item 0180 Contains Item 0090 and Item 0190</p>	<p>0090 Ref. Frame Group</p> <p>Ref. Frame Group</p>

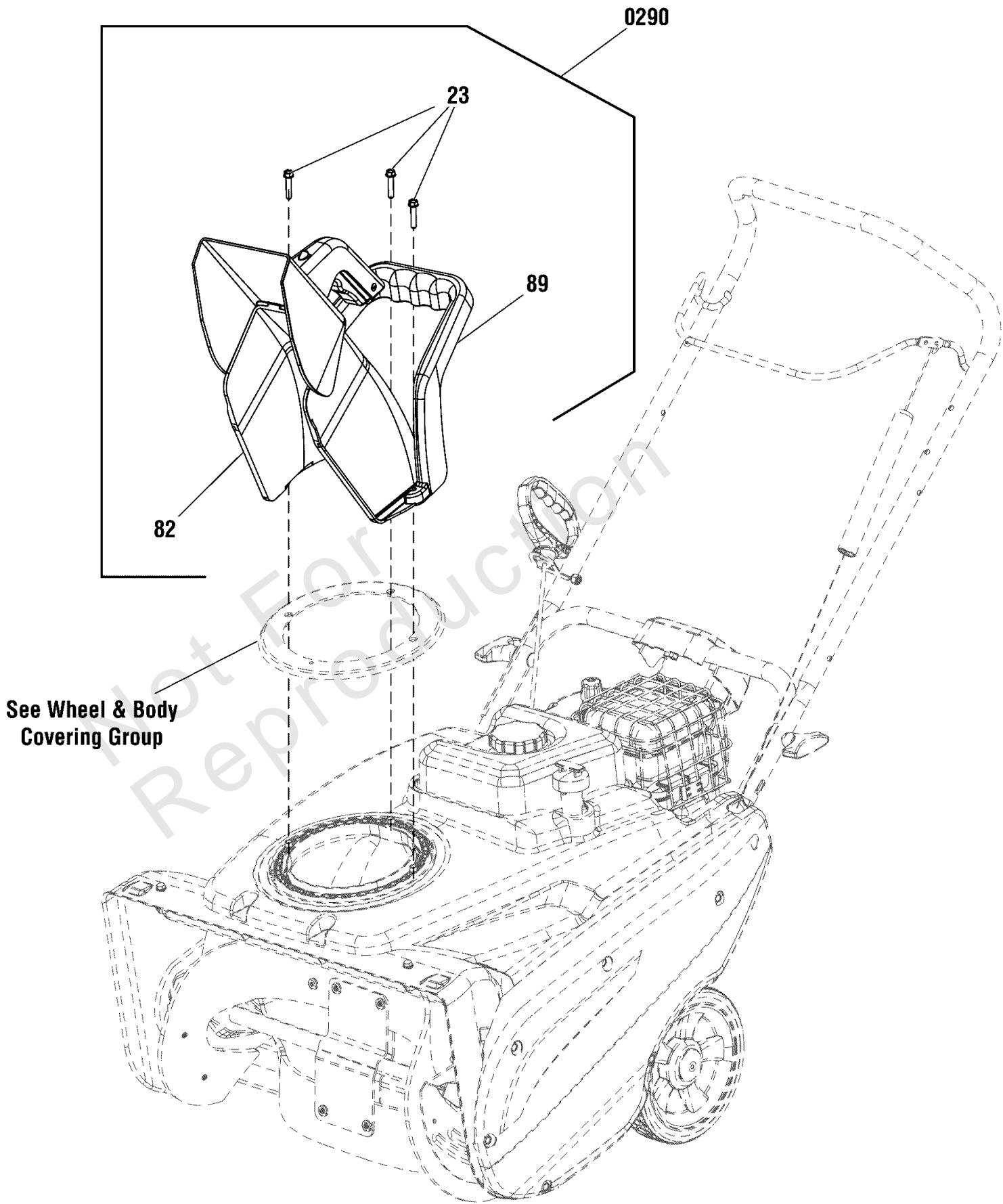
Auger Group

REF NO	PART NO	QTY	DESCRIPTION
0090	770004	1	KIT-SCRAPER BAR -(Incl. Ref. Nos. 38, 63, 64, 65)
38	1752935	4	NUT, 1/4-20, Nylon Hex, CZ
63	5025299X5	4	SCREW, 1/4-20 x 5/8, Allen Head
64	-----	1	BAR, Scraper, Robolon
65	-----	1	SUPPORT, Scraper Blade
0160	709877	1	KIT, AUGER BEARING -(Incl. Ref. No. 67)
67	-----	2	BEARING
0170	709878	1	KIT, AUGER BEARING, LEFT -(Incl. Ref. Nos. 26, 43, 44, 66, 67, 96)
26	-----	3	WASHER, M6, Split Lock, MC
43	7091835	3	SCREW, M6 1.0X12MM, Hex Head, CZ
44	-----	3	WASHER, 6x12x.7, Flat
66	-----	1	RETAINER, Bearing
67	-----	1	BEARING
96	-----	1	WASHER, Flat, 18x24x2
0180	709879	1	KIT, AUGER FLIGHT & SCRAPER BAR -(Incl. Ref. Nos. 38, 63, 64, 65, 71, 72)
38	1752935	4	NUT, 1/4-20, Nylon Hex, CZ
63	5025299X5	4	SCREW, 1/4-20 x 5/8, Allen Head
64	-----	1	BAR, Scraper, Robolon
65	-----	1	SUPPORT, Scraper Blade
71	1739727	2	FLIGHT, Auger
72	7091246	12	SCREW, 1/4-20 x 3/4" Pan Head Self-Tap (Torx) BZ
0190	1687804	1	KIT, AUGER FLIGHT -(Incl. Ref. Nos. 71, 72)
71	1739727	2	FLIGHT, Auger
72	7091246	12	SCREW, 1/4-20 x 3/4" Pan Head Self-Tap (Torx) BZ
0200	709881	1	KIT-AUGER ASSEMBLY -(Incl. Ref. Nos. 68, 70, 71, 72)
68	-----	1	SHAFT, Auger Assembly
70	-----	1	PLATE, Center
71	1739727	2	FLIGHT, Auger
72	7091246	12	SCREW, 1/4-20 x 3/4" Pan Head Self-Tap (Torx) BZ
0210	709882	1	KIT, AUGER BEARING, RIGHT -(Incl. Ref. Nos. 20, 26, 43, 44, 62, 66, 67, 76)
20	-----	1	BOLT, M6x16, Hex Head
26	-----	6	WASHER, M6, Split Lock, MC
43	7091835	6	SCREW, M6 1.0X12MM, Hex Head, CZ
44	-----	6	WASHER, 6x12x.7, Flat
62	-----	1	CAP, Bearing
66	-----	1	RETAINER, Bearing
67	-----	1	BEARING
76	-----	1	WASHER, 6x23x3, Flat

Chute Group - Manual

Note: Unless noted otherwise, use the standard torque specifications

Mfg. No: 1696737-01



Chute Group - Manual

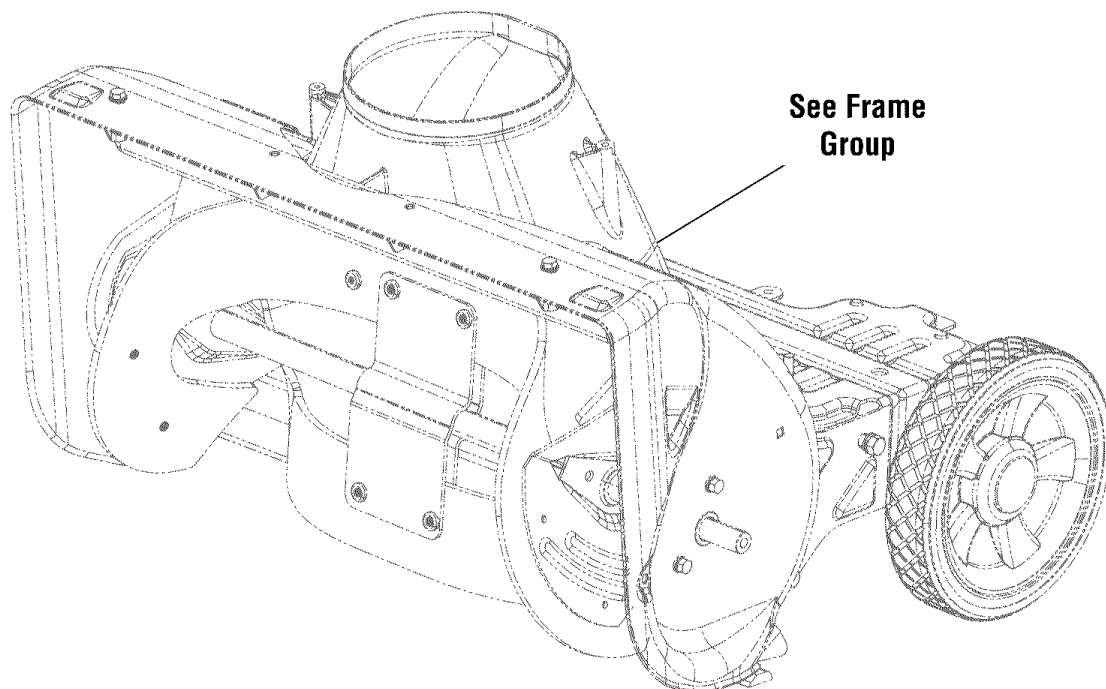
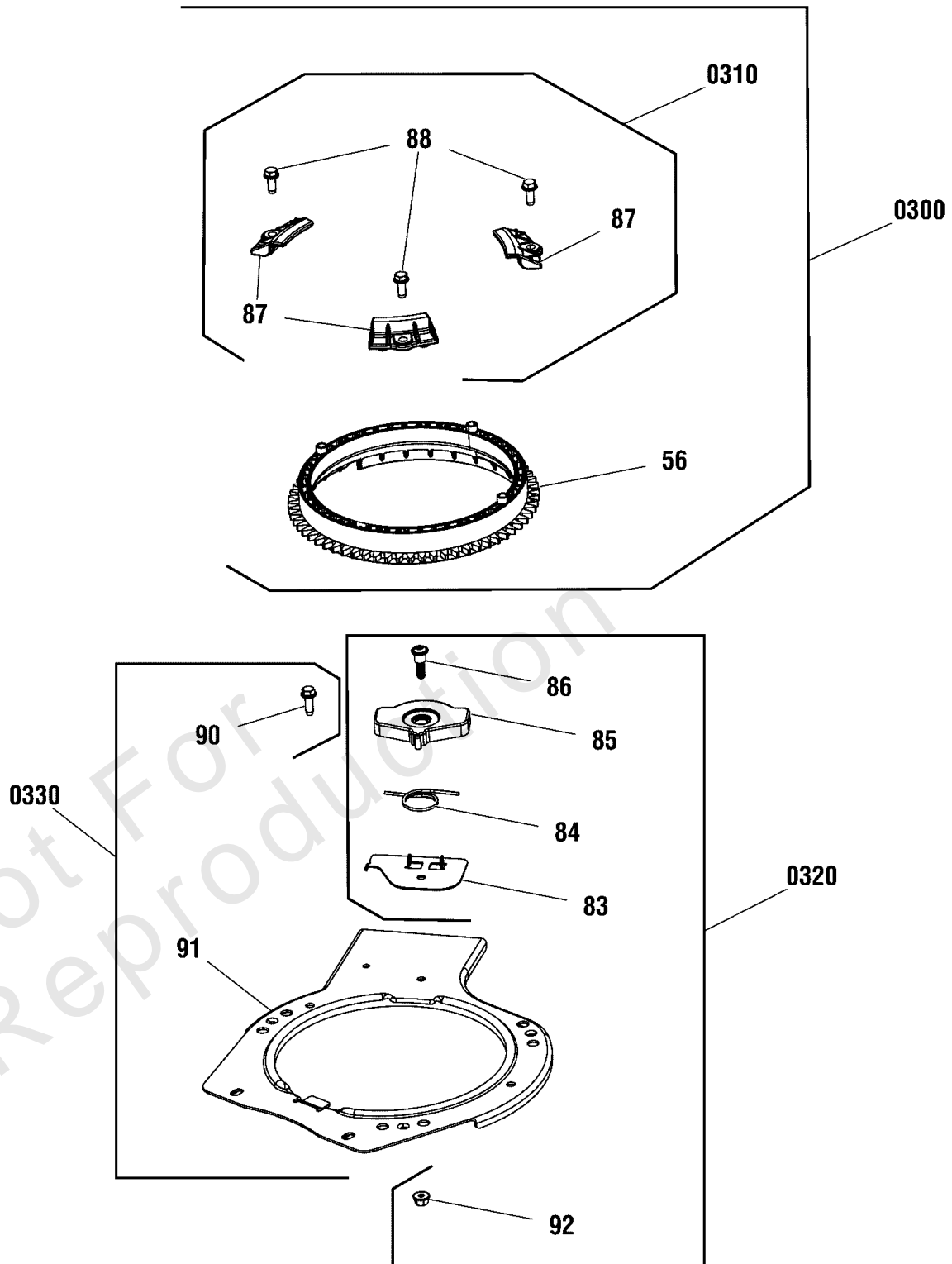
REF NO	PART NO	QTY	DESCRIPTION
0290	709921	1	KIT, CHUTE ASSEMBLY -(Incl. Ref. Nos. 23, 82, 89, 301, 302)
23	1751399YP	3	SCREW, Self Tapping, 1/4-15 x 1-1/4
82	-----	1	*CHUTE, Assembly, Quick Deflector
89	1739692YP	1	HANDLE, Chute Rotation
301	1737865YP	1	DECAL, Danger Chute Warning, FR/ENG
302	1739966YP	1	DECAL, Chute, FR-EN

Not For Reproduction

Chute Rotation Group - Manual

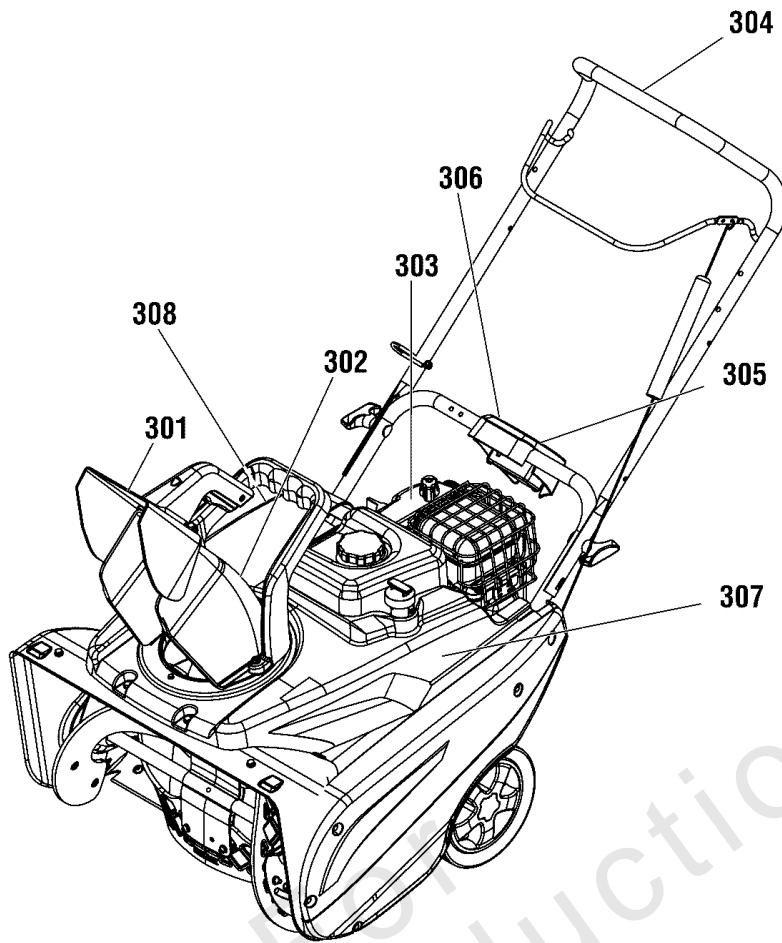
Note: Unless noted otherwise, use the standard torque specifications

Mfg. No: 1696737-01



Chute Rotation Group - Manual

REF NO	PART NO	QTY	DESCRIPTION
0300	709922	1	KIT, CHUTE GEAR -(Incl. Ref. Nos. 56, 87, 88)
56	-----	1	GEAR, 65T, 8P, Driven, SS Chute Rotation
87	-----	3	RETAINER, Chute
88	703054	3	SCREW, Hex Washer Head, 1/4-20 x 5/8
0310	709923	1	KIT, CHUTE RETAINER -(Incl. Ref. Nos. 87, 88)
87	-----	3	RETAINER, Chute
88	703054	3	SCREW, Hex Washer Head, 1/4-20 x 5/8
0320	709924	1	KIT, CHUTE ROTATION LEVER -(Incl. Ref. Nos. 83, 84, 85, 86, 92)
83	-----	1	BASE PLATE
84	-----	1	SPRING, Torsion
85	-----	1	LEVER, Chute Rotation
86	-----	1	SCREW, Shoulder, Button Torx Washer Head, 1/4-20 x 1
92	-----	1	NUT, Flange, Nylock, 1/4-20
0330	709925	1	KIT, CHUTE ADAPTER PLATE -(Incl. Ref. Nos. 90, 91)
90	-----	2	*SCREW, Hex Washer, 1/4-15 X 1.00, CZ
91	-----	1	*PLATE, Chute Mounting



⚠ DANGER
Amputation hazard
 Contact with moving parts inside chute will cause serious injury.
 • Shut off engine before unclogging discharge chute.
 • Use clean-out tool, not hands!

Risque d'amputation
 Tout contact avec des pièces en mouvement à l'intérieur de la goulotte provoquera de graves blessures.
 • Arrêter le moteur avant de dégager la goulotte d'éjection.
 • Utiliser l'outil de dégagement, pas les mains!

1737865

301

⚠ DANGER

Shut off engine and remove key before performing maintenance or repair work.		Arrêter le moteur et retirer la clé avant d'effectuer tout entretien ou toute réparation.
Read the operator's manual for operating and safety instructions.		Lire les consignes de sécurité et d'utilisation dans le manuel d'utilisation.
Thrown Objects Hazard • Never direct discharge chute towards persons or property.		Danger objets projetés • Ne jamais diriger la chute en direction des personnes ou biens matériels.
Amputation Hazard • Contact with auger will cause serious injury. • Keep hands, feet and clothing away. • Keep bystanders away.		Risque d'amputation • Tout contact avec la tarière provoquera de graves blessures. • Tenir vos pieds, vos mains et vêtements à distance. • Tenir les spectateurs à distance.

This spark ignition system complies with the Canadian standard CS15-002. Ce système d'allumage par étincelle se conforme à la norme CS15-002 au Canada.

302

STEPS TO EASY STARTING
ÉTAPES POUR UN DÉMARRAGE FACILE

1
 Turn engine ON
 Mettez le moteur sur « ON » (marche)

2
 Turn choke knob to CHOKE
 Tournez le bouton de l'étrangleur sur « CHOKE »

3
 For COLD engine PRIME 2X
 Si le moteur est FROID amorcez-le 2 fois

After engine starts, turn to RUN
 Une fois le moteur en marche, mettez-le sur « RUN »

303

4
 Plug in extension cord or Pull rope
 Branchez le cordon d'extension ou tirer la corde

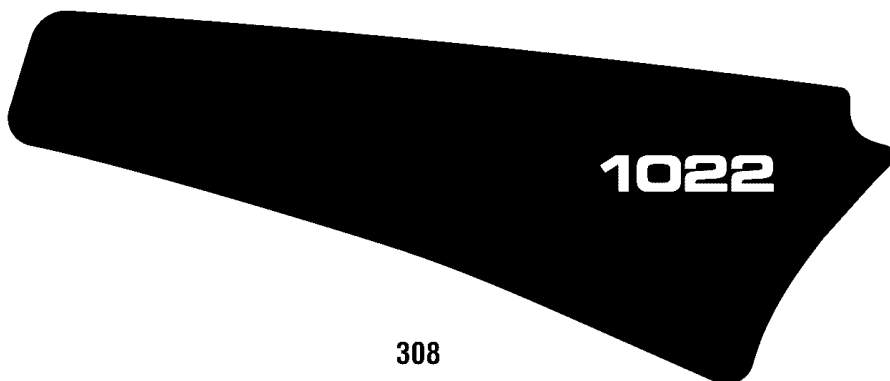
305

5
 Push Button to Start
 Appuyez sur le bouton pour démarrer

306



304



308



307

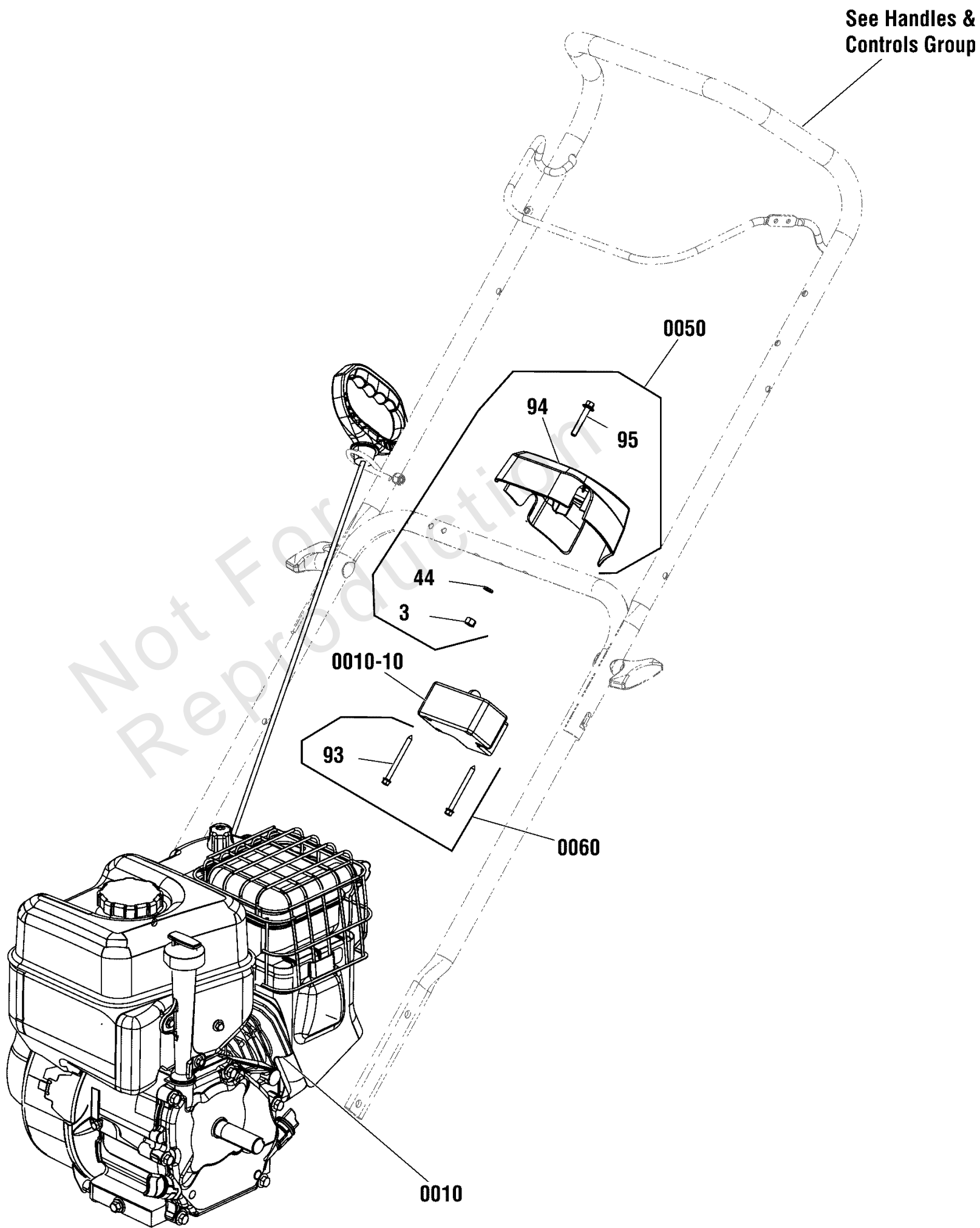
Decals Group

REF NO	PART NO	QTY	DESCRIPTION
0340	770355	1	KIT-DECAL SHEET, Electric Start -(Incl. Ref. Nos. 301, 302, 303, 304, 305, 306, 307 & 308)
0340	770353	1	KIT-DECAL SHEET, Recoil Start -(Incl. Ref. Nos. 301, 302, 303, 304, 307 & 308)
301	1737865YP	1	DECAL, Danger Chute Warning, FR/ENG -(Included with Ref. No. 0340)
302	1739966YP	1	DECAL, Chute, FR-EN -(Included with Ref. No. 0340)
303	1739970YP	1	DECAL, 1-2-3 Start, FR-EN -(Included with Ref. No. 0340)
304	1739977YP	1	DECAL, Bail Engagement -(Included with Ref. No. 0340)
305	1750734YP	1	DECAL, 4, START, FR-EN -(Included with Ref. No. 0340) (Electric Start)
306	1750736YP	1	DECAL, 5, START, FR-EN -(Included with Ref. No. 0340) (Electric Start)
307	-----	2	DECAL, Briggs Brand -(Included with Ref. No. 0340)
308	-----	1	DECAL, Briggs Model, 1022 -(Included with Ref. No. 0340) (Electric Start)
308	-----	1	DECAL, Briggs Model, 1022E -(Included with Ref. No. 0340) (Recoil Start)

Engine Group

Note: Unless noted otherwise, use the standard torque specifications

Mfg. No: 1696737-01



Engine Group

REF NO	PART NO	QTY	DESCRIPTION
0170	13A135-0002-F1	1	ENGINE, Briggs & Stratton, 9.5 GTP, Snow Series -(Engine Model: 13A135-0002-F1) (Refer to Note: *)
0010-10	591702	1	**MOTOR, Starter -(Refer to Note: **)
0050	709863	1	KIT, STARTER HOUSING -(Incl. Ref. Nos. 3, 44, 94, 95) (For electric start only.)
3	-----	2	NUT, M6, Lock
44	-----	1	WASHER, 6x12x.7, Flat
94	1754873YP	1	HOUSING, Starter, 110V
95	-----	1	SCREW, M6x40, Hex Flange Head
0060	709864	1	KIT, HARDWARE, STARTER -(Incl. Ref. No. 93) (For electric start only.)
93	703066	2	SCREW, 8-16 x 2, Pan Head Phillips, Plast.

Not For
Reproduction

Footnotes:

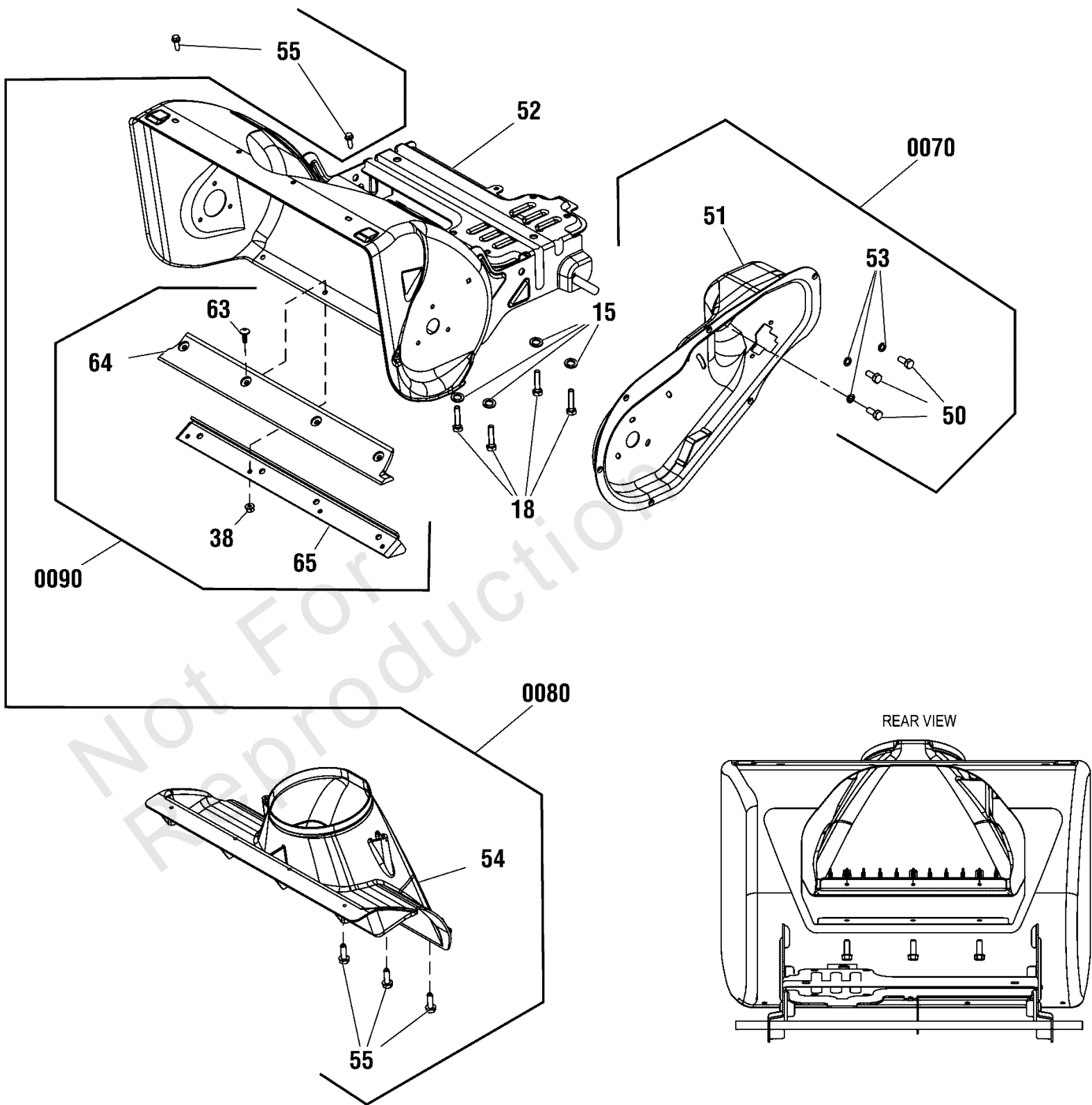
Note** See your local Briggs & Stratton distributor for parts and service.

Note* To verify your specific engine model, please reference the ID Tag located on your engine. See your local Briggs & Stratton distributor for parts and service.

Frame Group

Note: Unless noted otherwise, use the standard torque specifications

Mfg. No: 1696737-01



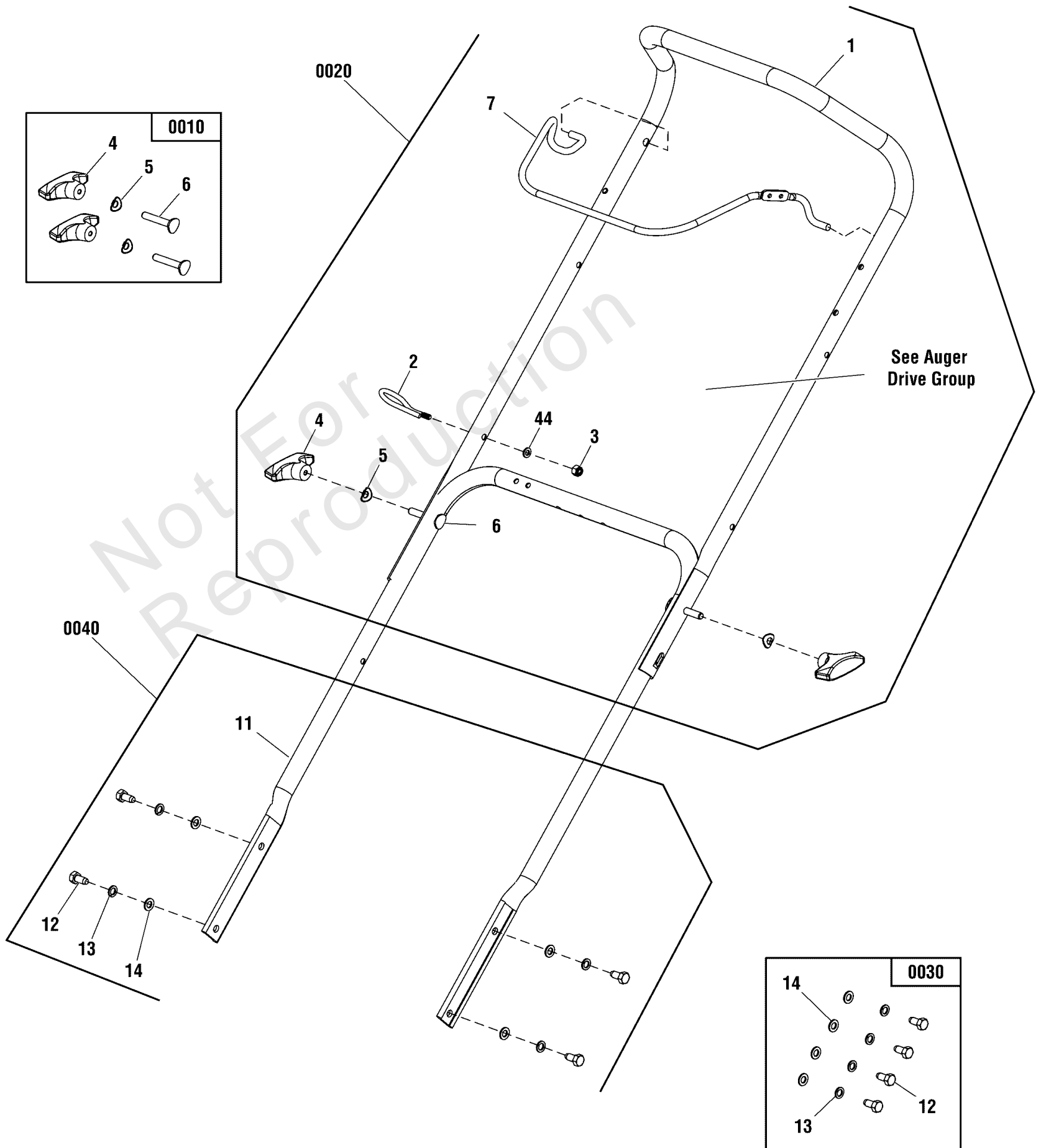
Frame Group

REF NO	PART NO	QTY	DESCRIPTION
15	-----	4	WASHER, M10, Split Lock
18	75246GS	4	SCREW, Hex Washer Head, Taptite, 3/8-16 x 1-1/4
52	-----	1	HOUSING, Auger
0070	709866	1	KIT, DRIVE HOUSING -(Incl. Ref. Nos. 50, 51, 53)
50	1752876YP	3	CAPSCREW, Hex Head, 5/16-24 x 5/8
51	-----	1	HOUSING, Drive
53	-----	3	LOCKWASHER, Spring, 5/16
0080	84004738	1	KIT, CHIMNEY -(Incl. Ref. Nos. 54, 55)
54	-----	1	CHIMNEY
55	7091081SM	5	SCREW, 1/4-15X3/4, Self-Tapping, BZ
0090	770004	1	KIT-SCRAPER BAR -(Incl. Ref. Nos. 38, 63, 64, 65)
38	1752935YP	4	NUT, 1/4-20, Nylon Hex, CZ
63	5025299X5YP	4	SCREW, 1/4-20 X 5/8
64	-----	1	BAR, Scraper, Robolon
65	1752660AYP	1	SUPPORT, Scraper Blade

Handles & Controls Group

Note: Unless noted otherwise, use the standard torque specifications

Mfg. No: 1696737-01



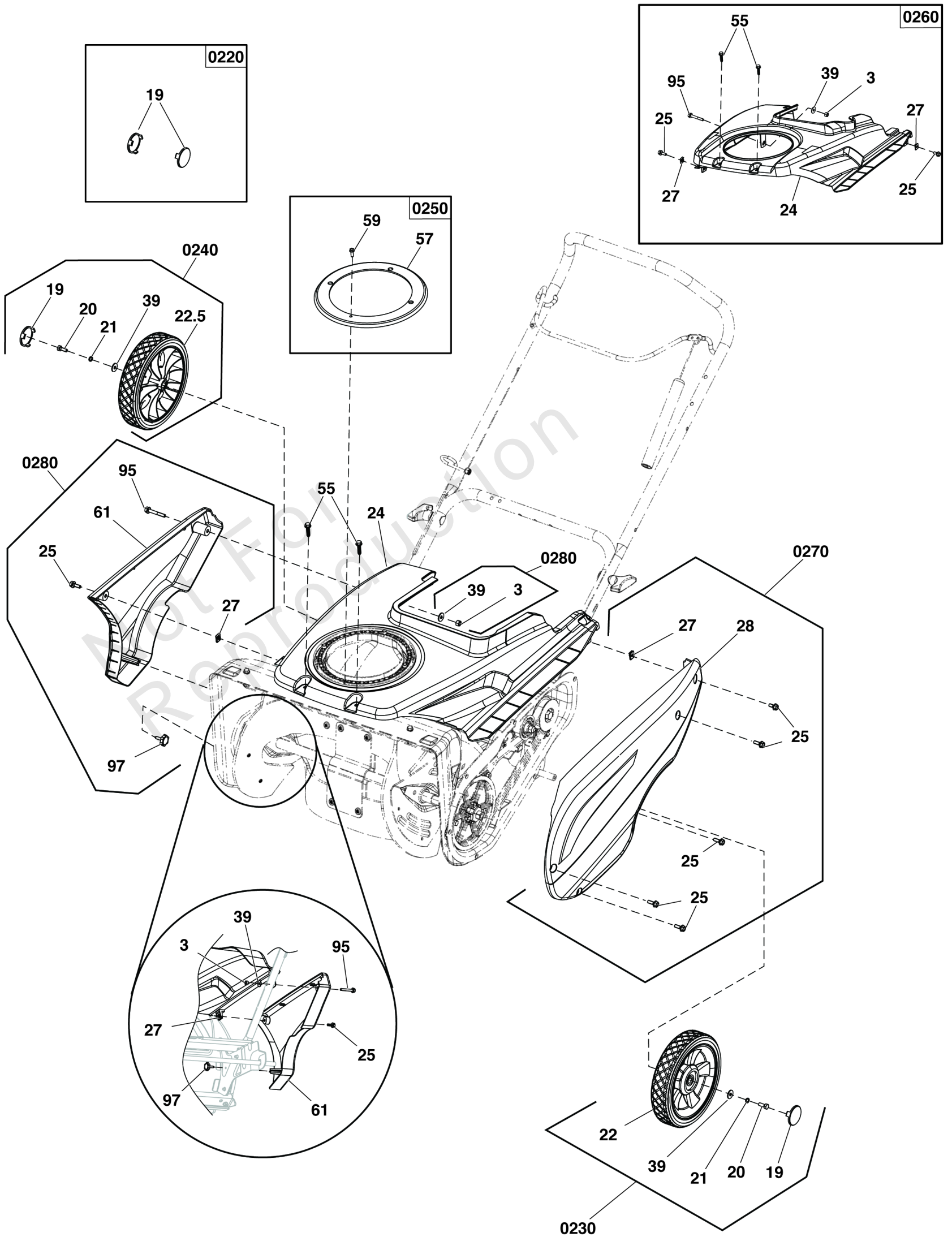
Handles & Controls Group

REF NO	PART NO	QTY	DESCRIPTION
0010	709859	2	KIT, UPPER HANDLE HARDWARE -(Incl. Ref. Nos. 4, 5, 6)
4	-----	2	KNOB, Wing, M8
5	-----	2	WASHER, M8, Curved
6	-----	2	BOLT, M8x40, Carriage, Curved Head
0020	709860	1	KIT, UPPER HANDLE -(Incl. Ref. Nos. 1, 2, 3, 4, 5, 6, 7, 44)
1	-----	1	HANDLEBAR, Upper SS
2	-----	1	GUIDE, Rope
3	-----	1	NUT, M6, Lock
4	-----	2	KNOB, Wing, M8
5	-----	2	WASHER, M8, Curved
6	-----	2	BOLT, M8x40, Carriage, Curved Head
7	709858	1	BAIL, Engine Stop
44	-----	1	WASHER, 6x12x.7, Flat
0030	709861	1	KIT, LOWER HANDLE HARDWARE -(Incl. Ref. Nos. 12, 13, 14)
12	703988	1	CAPSCREW M8-1.25X16
13	-----	4	WASHER, Lock, M8
14	-----	4	WASHER, Flat, 8 X 16 X 1.2
0040	709862	1	KIT, LOWER HANDLE -(Incl. Ref. Nos. 11, 12, 13, 14)
11	-----	1	HANDLE, Lower
12	703988	4	CAPSCREW M8-1.25X16
13	-----	4	WASHER, Lock, M8
14	-----	4	WASHER, Flat, 8 X 16 X 1.2

Wheel & Body Covering Group

Note: Unless noted otherwise, use the standard torque specifications

Mfg. No: 1696737-01



Wheel & Body Covering Group

REF NO	PART NO	QTY	DESCRIPTION
0220	709883	1	KIT, Wheel Cover, Pewter -(Incl. Ref. Nos. 19)
19	-----	2	COVER, End, Wheel, Pewter
0230	709885	1	KIT, WHEEL, LEFT, PEWTER -(Incl. Ref. Nos. 19, 20, 21, 22 & 39)
19	-----	1	COVER, End, Wheel, Pewter
20	-----	1	BOLT, M6x16, Hex Head
21	-----	1	WASHER, M6, Split Lock, MC
22	-----	1	WHEEL, Left, 1.75 X 8, Pewter
39	-----	1	WASHER, 6 X 18 X 1.5, Flat
0240	770059	1	KIT, WHEEL, RIGHT, PEWTER -(Incl. Ref. Nos. 19, 20, 21, 22.5 & 39)
19	-----	1	COVER, End, Wheel, Pewter
20	-----	1	BOLT, M6x16, Hex Head
21	-----	1	WASHER, M6, Split Lock, MC
22.5	-----	1	WHEEL, Right, 1.75 X 8, Pewter
39	-----	1	WASHER, 6 X 18 X 1.5, Flat
0250	709887	1	KIT, CHUTE MOISTURE COVER -(Incl. Ref. Nos. 57 & 59)
57	-----	1	COVER, Chute Moisture
59	723361	1	SCREW, #10-HL x 5/8, Hex Washer Head
0260	709891	1	KIT, TOP COVER -(Incl. Ref. Nos. 3, 24, 25, 27, 39, 55 & 95)
3	-----	1	NUT, M6, Lock
24	-----	1	COVER, Top, Continuum Charcoal
25	-----	2	SCREW, M6x16, Hex Washer Head
27	-----	2	NUT, M6, CLIP
39	-----	1	WASHER, 6 X 18 X 1.5, Flat
55	7091081SM	2	SCREW, 1/4-15X3/4, Self-Tapping, BZ
95	-----	1	SCREW, M6x40, Hex Flange Head
0270	709896	1	KIT, DRIVE CASE COVER -(Incl. Ref. Nos. 25, 27 & 28)
25	-----	7	SCREW, M6x16, Hex Washer Head
27	-----	1	NUT, M6, CLIP
28	-----	1	COVER, Drive Case, Black
0280	709916	1	KIT, SIDE COVER, RIGHT -(Incl. Ref. Nos. 3, 25, 27, 39, 61, 95 & 97)
3	-----	1	NUT, M6, Lock
25	-----	2	SCREW, M6x16, Hex Washer Head
27	-----	2	NUT, M6, CLIP
39	-----	1	WASHER, 6 X 18 X 1.5, Flat
61	-----	1	COVER, Side, Continuum Charcoal
95	-----	1	SCREW, M6x40, Hex Flange Head
97	-----	1	SCREW, M5x20, Knob, Self-Tapping

