



Parts Manual

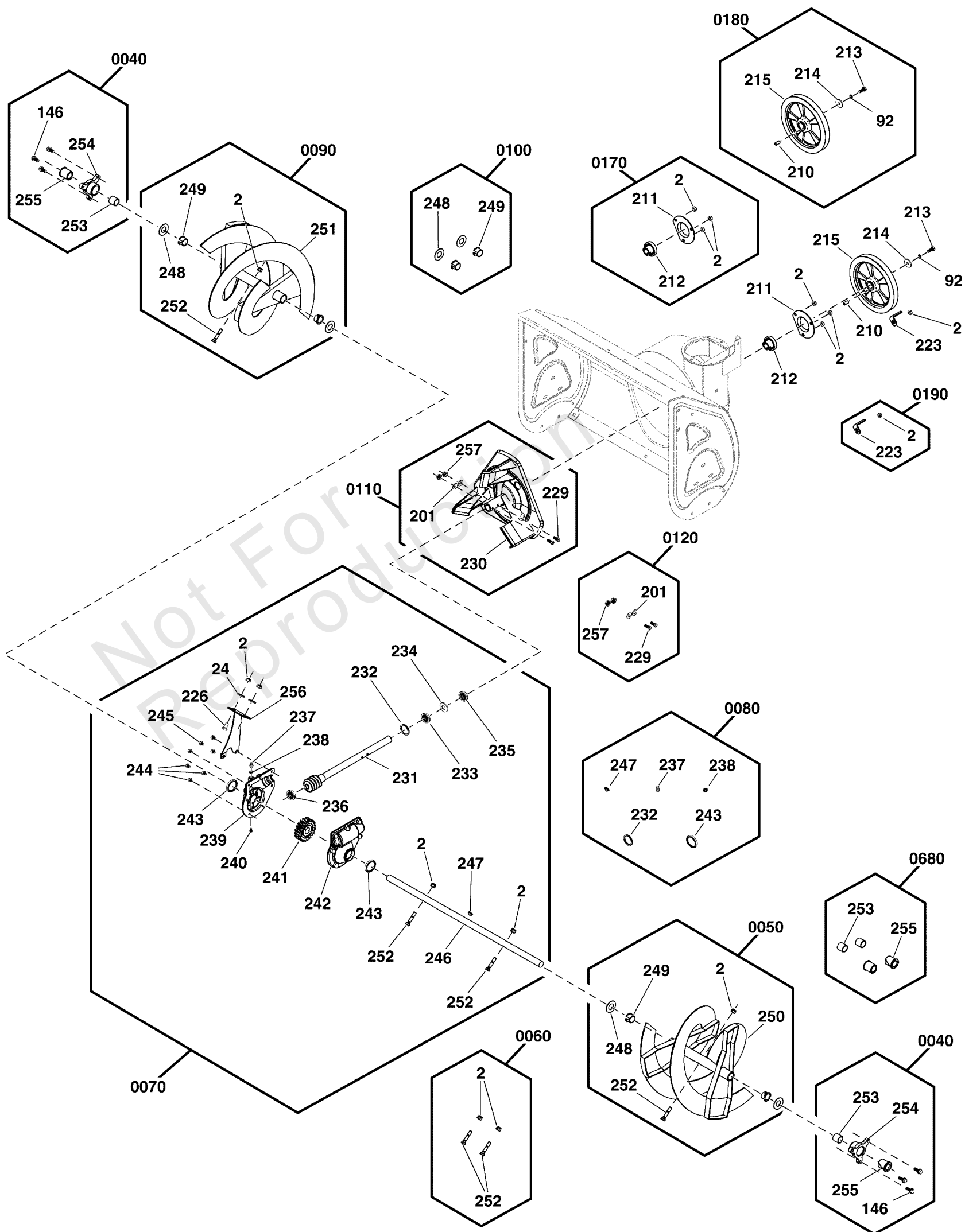
Mfg. No: 1696828-02
1530MDS, B&S 11.5 Gross TP 30"
Steerable Dual Stage Snowthrower (2019)



Auger Drive Group

Note: Unless noted otherwise, use the standard torque specifications

Mfg. No: 1696828-02



Auger Drive Group

REF NO	PART NO	QTY	DESCRIPTION
0040	707553	2	KIT, Mounting Plate, Auger Housing -(Incl. Ref. Nos. 146, 253, 254, 255)
146	-----	3	SCREW, Hex Head, M8 X 16
253	-----	1	BEARING, Sleeve
254	-----	1	RETAINER, Auger Shaft
255	-----	1	BEARING, Auger Shaft
0050	771732	1	KIT, Auger Assembly, Left -(Incl. Ref. Nos. 2, 248, 249, 251, 252)
2	-----	1	NUT, Lock, M8
248	-----	2	WASHER, Flat
249	-----	2	BEARING, Auger Shaft
250	-----	1	AUGER, 30", Left, Black
252	-----	1	BOLT, Hex, M8 X 38
0060	707555	1	KIT, SHEAR PIN, AUGER -(Incl. Ref. Nos. 2, 252)
2	-----	2	NUT, Lock, M8
252	-----	2	BOLT, Hex, M8 X 38
0070	771723	1	KIT, Gear Box, Auger -(Incl. Ref. Nos. 2, 24, 226, 231, 232, 233, 234, 235, 236, 237, 238, 239, 240, 241, 242, 243, 244, 245, 246, 247, 252, 256)
2	-----	4	NUT, Lock, M8
24	-----	2	WASHER, 8x22x2, Flat
226	-----	2	BOLT, Carriage, M8 X 18
231	-----	1	SHAFT, Impeller Wormgear
232	-----	1	SEAL, Oil
233	-----	1	BEARING
234	-----	1	WASHER, Flat
235	-----	1	BEARING
236	-----	1	BEARING
237	-----	1	ZERK, Grease Fitting
238	-----	1	WASHER, Wave
239	-----	1	GEAR CASE, Right
240	-----	1	BOLT, Phillips Head, M5 X 10
241	-----	1	GEAR, Worm
242	-----	1	GEAR CASE, Left
243	-----	2	SEAL, Oil
244	-----	6	SCREW, Hex Head, M6 X 20
245	-----	1	BOLT, Hex, M6 X 25
246	-----	1	SHAFT, Auger Out
247	-----	1	KEY, WOODRUFF
252	-----	2	BOLT, Hex, M8 X 38
256	-----	1	PLATE, Auger Support
0080	707558	1	KIT, Seal, Gear Box -(Incl. Ref. Nos. 232, 237, 238, 243, 247)
232	-----	1	SEAL, Oil
237	-----	1	ZERK, Grease Fitting
238	-----	1	WASHER, Wave
243	-----	2	SEAL, Oil
247	-----	2	KEY, WOODRUFF
0090	771731	1	KIT, Auger Assembly, Right -(Incl. Ref. Nos. 2, 248, 249, 250, 252)
2	-----	1	NUT, Lock, M8
248	-----	2	WASHER, Flat

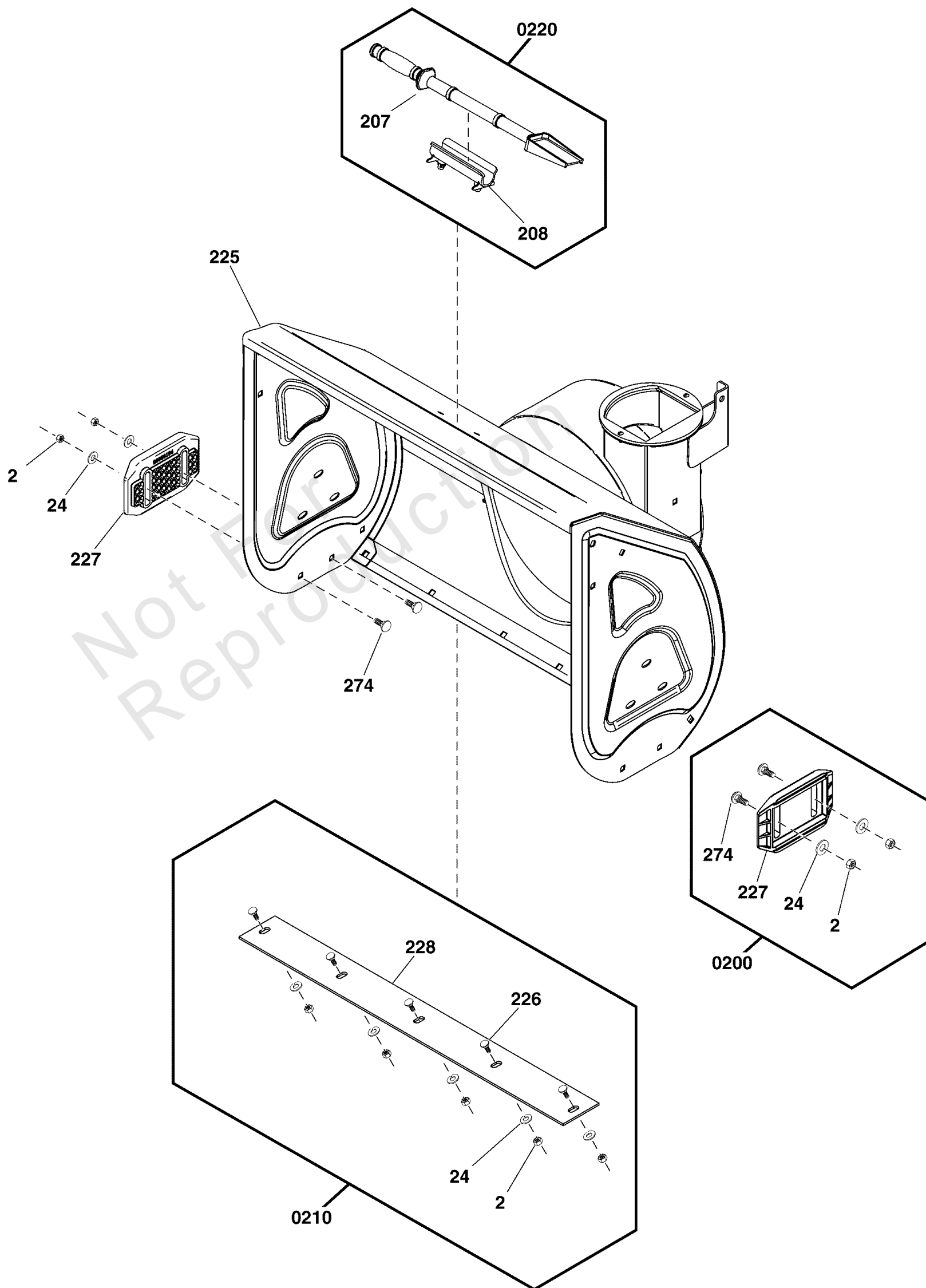
Auger Drive Group

REF NO	PART NO	QTY	DESCRIPTION
249	-----	2	BEARING, Auger Shaft
251	-----	1	AUGER, 30", Right, Black
252	-----	1	BOLT, Hex, M8 X 38
0100	707554	2	KIT, Auger Shaft Hardware -(Incl. Ref. Nos. 248, 249)
248	-----	2	WASHER, Flat
249	-----	2	BEARING, Auger Shaft
0110	707560	1	KIT, Impeller Assembly -(Incl. Ref. Nos. 201, 229, 230, 257)
201	-----	2	WASHER, 6x12x.7, Flat
229	-----	2	BOLT, Hex, M6 X 38
230	-----	1	IMPELLER
257	-----	2	NUT, Lock, M6
0120	707561	1	KIT, Shear Pin, Impeller -(Incl. Ref. Nos. 201, 229, 257)
201	-----	2	WASHER, 6x12x.7, Flat
229	-----	2	BOLT, Hex, M6 X 38
257	-----	2	NUT, Lock, M6
0170	770800	1	KIT, Bearing Hardware, Auger Pulley -(Incl. Ref. Nos. 2, 211, 212)
2	-----	3	NUT, Lock, M8
211	-----	1	RETAINER, Ball Bearing
212	-----	1	BEARING, Ball
0180	770803	1	KIT, Auger Pulley -(Incl. Ref. Nos. 92, 210, 213, 214, 215)
92	-----	1	WASHER, Lock, M8
210	-----	1	KEY, Flat, 6 X 6 X 17
213	-----	1	SCREW, Hex Head, M8X20
214	-----	1	WASHER, Flat, 8 X 28 X 3
215	-----	1	PULLEY
0190	707547	1	KIT, BELT GUIDE, AUGER -(Incl. Ref. Nos. 2, 223)
2	-----	1	NUT, Lock, M8
223	-----	1	GUIDE, Belt
0680	707552	2	KIT, Bearing, Mounting Plate -(Incl. Ref. Nos. 253, 255)
253	-----	2	BEARING, Sleeve
255	-----	2	BEARING, Auger Shaft

Auger Housing Group

Note: Unless noted otherwise, use the standard torque specifications

Mfg. No: 1696828-02



Auger Housing Group

REF NO	PART NO	QTY	DESCRIPTION
225	-----	1	AUGER HOUSING, 30", Charcoal -(Refer to Note:*)
0200	84003710	1	KIT, Skid Shoe -(Incl. Ref. Nos. 2, 24, 227, 274)
2	-----	4	NUT, Lock, M8
24	-----	4	WASHER, 8x22x2, Flat
227	-----	2	SHOE, Skid, Reversible
274	-----	4	BOLT, Carriage, M8 X 25
0210	84004787	1	KIT, Scraper Bar -(Incl. Ref. Nos. 2, 24, 226, 228)
2	-----	5	NUT, Lock, M8
24	-----	5	WASHER, 8x22x2, Flat
226	-----	5	BOLT, Carriage, M8 X 18
228	-----	1	BLADE, Scraper, 30"
0220	707549	1	KIT, CLEANOUT BRUSH STICK -(Incl. Ref. Nos. 207, 208)
207	-----	1	SHOVEL, Cleanout
208	-----	1	CLAMP, Cleanout

Not For
Reproduction

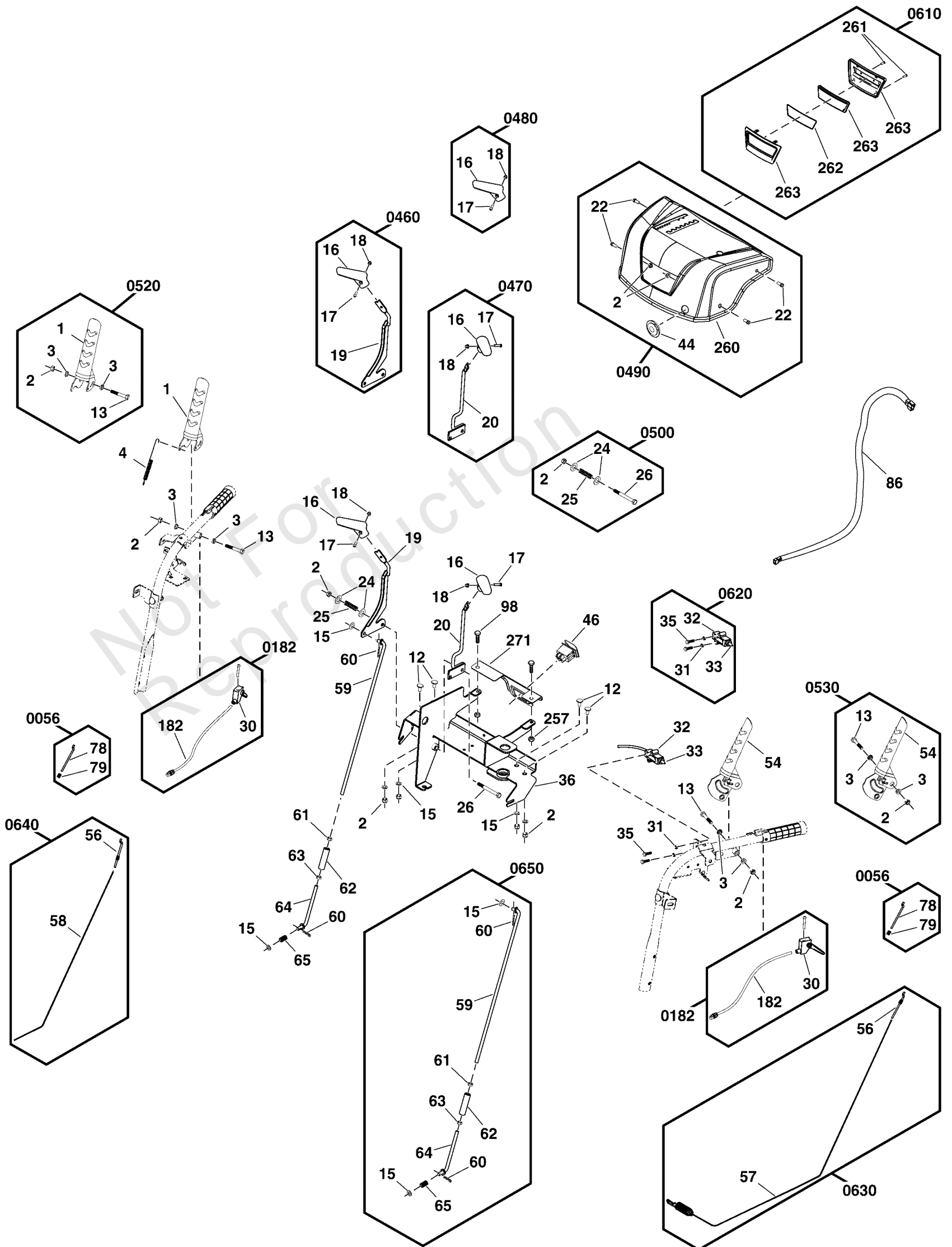
Footnotes:

Note:* Not a serviceable part.

Controls Group

Note: Unless noted otherwise, use the standard torque specifications

Mfg. No: 1696828-02

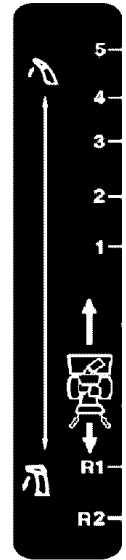
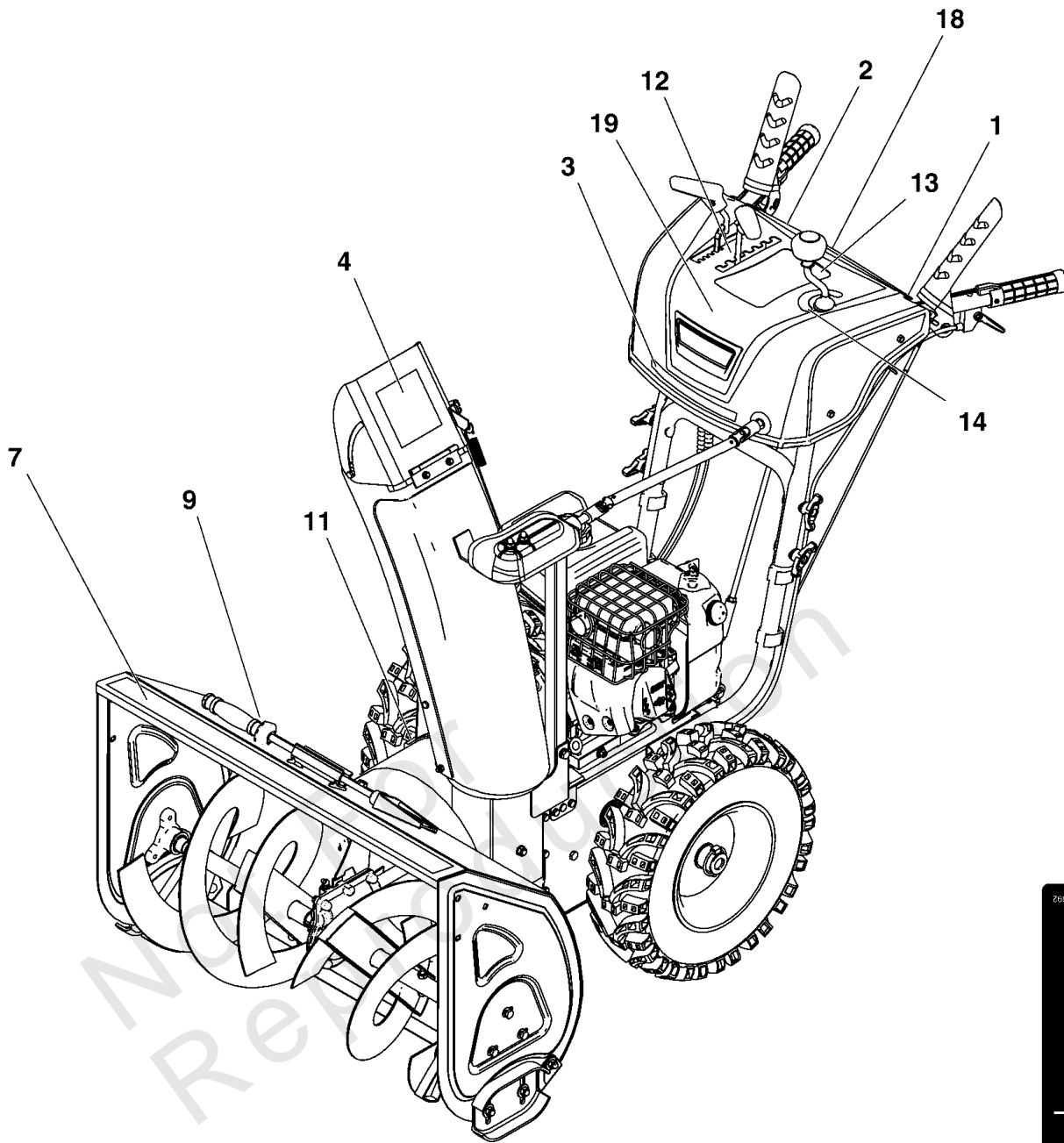


Controls Group

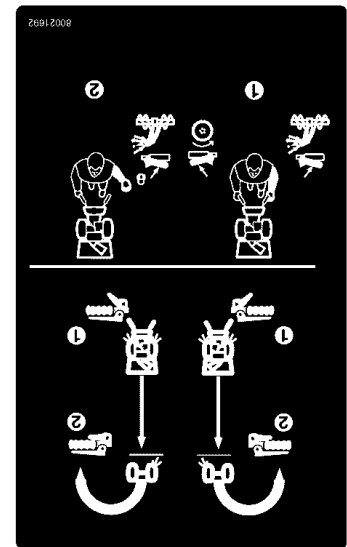
REF NO	PART NO	QTY	DESCRIPTION
4	707877	1	SPRING, Handle
12	-----	4	BOLT, Carriage, M8 X 16
36	-----	1	PANEL, Dash
46	770770	1	SWITCH
86	770837	1	HARNESS, Wiring
	-----	1	FUSE, GMA-3-R, 3A 250V -(Refer to your local hardware store for replacement fuses.)
98	-----	6	SCREW, Hex Head W/ Flat Washer, M6 X 12
257	-----	5	NUT, Lock, M6
271	-----	1	BRACKET, Switch
0056	770785	2	KIT, Cable, Hardware -(Incl. Ref. Nos. 78, 79)
78	-----	1	ROD, Cable
79	-----	1	NUT, Copper
0182	771703	2	CABLE, Steering -(Incl. Ref. Nos. 30, 182)
30	-----	1	LEVER, Steering Control Assembly
182	-----	1	CABLE, Clutch
0460	770813	1	KIT, Lever, Speed -(Incl. Ref. Nos. 16, 17, 18, 19)
16	-----	1	KNOB, Slot Speed
17	-----	1	SCREW, Phillips Head, M5
18	-----	1	NUT, Acorn, M5
19	-----	1	LEVER ASSEMBLY, Speed
0470	770830	1	KIT, Lever, Discharge Chute -(Incl. Ref. Nos. 16, 17, 18, 20)
16	-----	1	KNOB, Slot Speed
17	-----	1	SCREW, Phillips Head, M5
18	-----	1	NUT, Acorn, M5
20	-----	1	LEVER ASSEMBLY, Deflector
0480	770834	1	KIT, Knob, Lever -(Incl. Ref. Nos. 16, 17, 18)
16	-----	1	KNOB, Slot Speed
17	-----	1	SCREW, Phillips Head, M5
18	-----	1	NUT, Acorn, M5
0490	770811	1	ASSEMBLY, Dash -(Incl. Ref. Nos. 2, 22, 44, 260)
2	-----	4	NUT, Lock, M8
22	-----	4	SCREW, Hex Flange Head, M8 X 16
44	-----	1	BUSHING, Rotation Rod, Dash
260	-----	1	PANEL, Charcoal
0500	707507	1	KIT, Hardware, Speed & Discharge -(Incl. Ref. Nos. 2, 24, 25, 26)
2	-----	1	NUT, Lock, M8
24	-----	2	WASHER, 8x22x2, Flat
25	-----	1	SPRING, Lever Assembly
26	-----	1	SCREW, Hex Head, M8 X 70
0520	770771	1	KIT, Right Hand Lever (Traction Drive) -(Incl. Ref. Nos. 1, 2, 3, 13)
1	-----	1	LEVER, Clutch, Right
2	-----	1	NUT, Lock, M8
3	-----	2	SPACER, Idler Plate, Small
13	-----	1	SCREW, Hex Head, M8 X 60
0530	770772	1	KIT, Left Hand Lever (Auger Drive) -(Incl. Ref. Nos. 2, 3, 13, 54)

Controls Group

REF NO	PART NO	QTY	DESCRIPTION
2	-----	1	NUT, Lock, M8
3	-----	2	SPACER, Idler Plate, Small
13	-----	1	SCREW, Hex Head, M8 X 60
54	-----	1	LEVER, Clutch, Left
0610	770839	1	KIT, Headlight -(Incl. Ref. Nos. 261, 262, 263)
261	-----	2	SCREW, Phillips Head, Self Tapping, ST2.9 X 14
262	-----	1	O-RING
263	-----	1	LIGHT ASSEMBLY
0620	707521	1	KIT, Free Hand Control Assembly -(Incl. Ref. Nos. 31, 32, 33, 35)
31	-----	2	WASHER, M6, Split Lock, MC
32	-----	1	BODY, Free Hand Control
33	-----	1	CABLE, Free Hand Control
35	-----	2	SCREW, Hex Head, M6 X 20
0630	770784	1	KIT, Cable, Auger Drive -(Incl. Ref. Nos. 56, 57)
56	-----	1	KIT, Cable Hardware
57	-----	1	CABLE, Auger Drive
0640	770786	1	KIT, Cable, Traction Drive -(Incl. Ref. Nos. 56, 58)
56	-----	1	KIT, Cable Hardware
58	-----	1	CABLE, Traction Drive
0650	770787	1	KIT, Traction Drive Rod -(Incl. Ref. Nos. 15, 59, 60, 61, 62, 63, 64, 65)
15	-----	2	WASHER, Flat, 8 X 16 X 1.2
59	-----	1	ROD, Speed Select, Upper
60	-----	2	PIN, Hair, Cotter
61	-----	1	NUT, Hex, M8
62	-----	1	SLEEVE, Adjustment, M8
63	-----	1	NUT, Hex, M8
64	-----	1	ROD, Speed Select, Lower
65	-----	1	SPRING, Speed Select



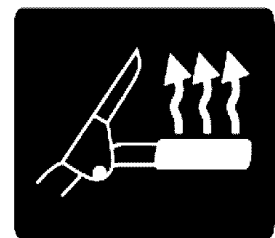
12



13



14



18



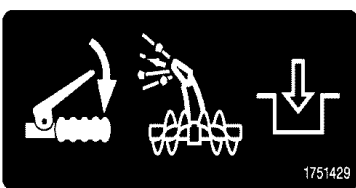
19

BRIGGS & STRATTON

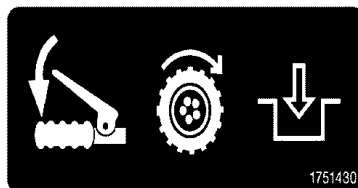
3



7



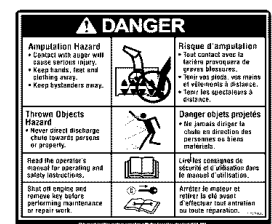
1



2



4



9

Decals Group

REF NO	PART NO	QTY	DESCRIPTION
1	771843	1	DECAL, Auger Control
2	771844	1	DECAL, Traction Control
3	771847	1	DECAL, Briggs & Stratton Wordmark
4	1737865YP	1	DECAL, Danger Chute Warning, FR/ENG
7	-----	1	DECAL, Model ELITE1530 -(Refer to Note:*)
9	1737866YP	1	DECAL, Danger Foot, FR/ENG
11	-----	1	DECAL, I.D. Plate -(Refer to Note:*)
12	771859	1	DECAL, 1-6 Transmission Speed Control
13	771860	1	DECAL, Free Hand Operation
14	771861	1	DECAL, Chute Rotation
18	771862	1	DECAL, Heated Hand Grip Switch
19	771959	1	DECAL, Briggs & Stratton Logo

Not For
Reproduction

Footnotes:

Note:* Not a serviceable part.

Discharge Chute Group

REF NO	PART NO	QTY	DESCRIPTION
0186	771921	1	KIT, Spring Pin, 4 X 20 -(Incl. Ref. No. 186)
186	----	5	PIN, 4 X 20, Spring
0330	707503	1	KIT, Chute Rotation -(Incl. Ref. Nos. 34, 47, 48, 49, 50, 51, 53)
34	----	1	BUSHING, Rotation Rod
47	----	1	KNOB, Cover
48	----	1	RING, External Retaining, 10
49	----	2	WASHER, Flat, 10 X 20 X 1
50	----	1	KNOB, Chute Rotator
51	----	1	ROD, Chute Rotation
53	----	1	BUSHING, Chute Rotation
0340	707502	1	KIT, Chute Knob -(Incl. Ref. Nos. 47, 48, 49, 50)
47	----	1	KNOB, Cover
48	----	1	RING, External Retaining, 10
49	----	2	WASHER, Flat, 10 X 20 X 1
50	----	1	KNOB, Chute Rotator
0390	84003877	1	KIT, Chute Assembly -(Incl. Ref. Nos. 5, 198, 199, 200, 201, 202, 203, 209, 257, 258, 277)
5	----	2	RIVET, 4 X 13
198	----	1	SPRING, Extension
199	----	1	DEFLECTOR, Chute
200	----	1	GASKET, Chute Deflector
201	----	2	WASHER, 6x12x.7, Flat
202	----	1	SCREW, Shoulder, M6 X 10
203	----	1	CHUTE
209	----	1	ADAPTER, Chute Ring
257	----	3	NUT, Lock, M6
258	----	2	WASHER, 6 X 18 X 1.5, Flat
277	----	2	BOLT, Button Head Socket, M6 X 13
0391	1688078	1	KIT, Chute Deflector -(Incl. Ref. Nos. 198, 199, 200, 201, 257, 277)
198	----	1	SPRING, Extension
199	----	1	DEFLECTOR, Chute
200	----	1	GASKET, Chute Deflector
201	----	2	WASHER, 6x12x.7, Flat
257	----	2	NUT, Lock, M6
277	----	2	BOLT, Button Head Socket, M6 X 13
0400	707563	1	KIT, Spring, Chute -(Incl. Ref. Nos. 198, 202, 257, 258)
198	----	1	SPRING, Extension
202	----	1	SCREW, Shoulder, M6 X 10
257	----	1	NUT, Lock, M6
258	----	2	WASHER, 6 X 18 X 1.5, Flat
0410	707543	1	KIT, Worm Gear Hardware, Chute -(Incl. Ref. Nos. 150, 186, 195, 196, 197)
150	----	2	NUT, Hex Flange Head, M8
186	----	1	PIN, 4 X 20, Spring
195	----	1	BRACKET, Chute Rotation, Worm
196	----	2	BOLT, Carriage, M8 X 30
197	----	1	GEAR, Chute Rotation, Worm
0420	84003878	1	KIT, Cover, Chute Rotation -(Incl. Ref. Nos. 150, 190, 192, 193)

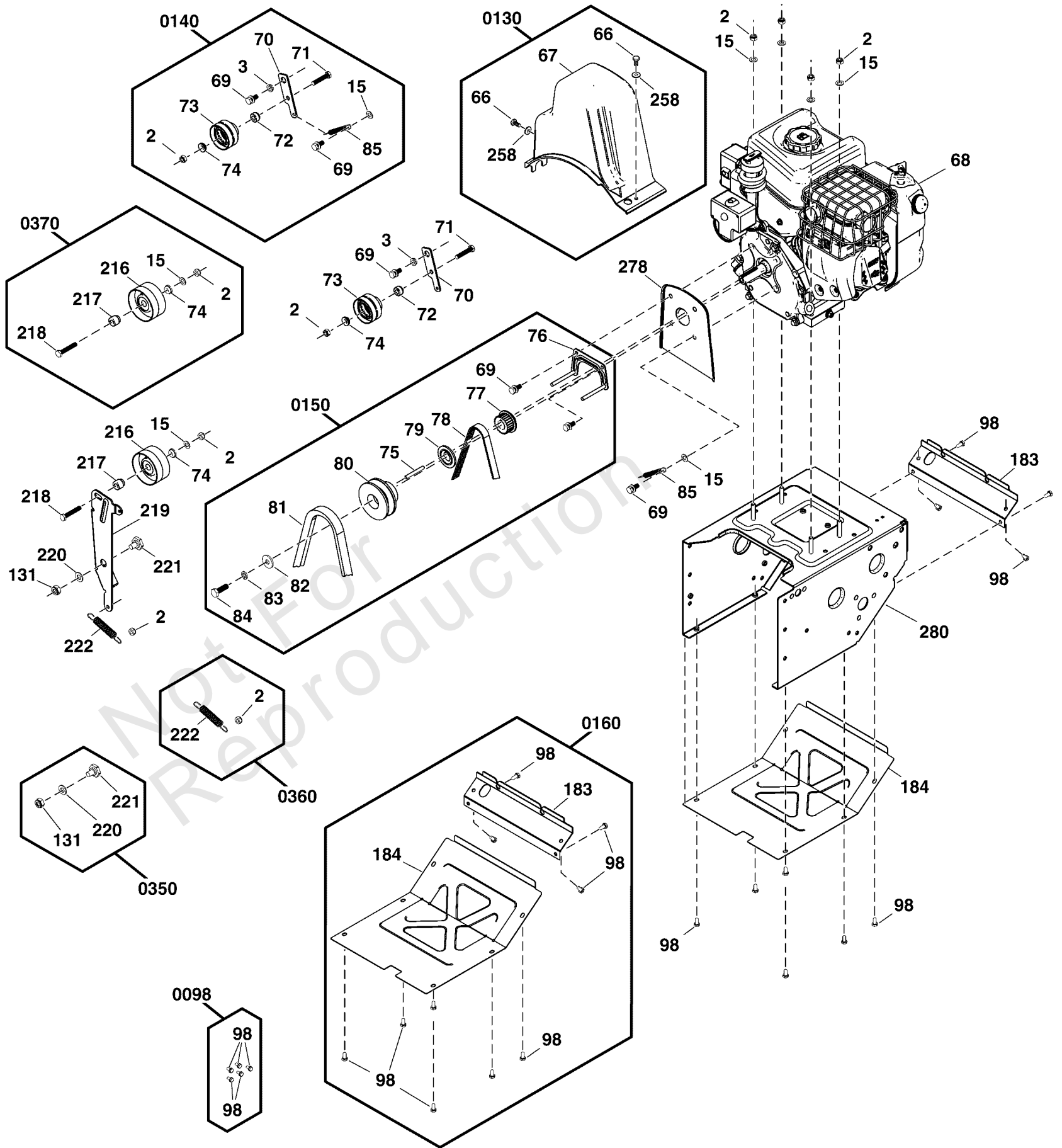
Discharge Chute Group

REF NO	PART NO	QTY	DESCRIPTION
150	-----	4	NUT, Hex Flange Head, M8
190	-----	1	COVER, Chute Rotation
192	-----	1	SPACER, Chute Rotation Bracket
193	-----	1	SCREW, Hex Head, M6 X 70
0430	1688079	1	KIT, Chute Rotation -(Incl. Ref. Nos. 25, 191, 192, 193, 258, 269, 275)
25	-----	1	SPRING, Lever Assembly
191	-----	1	NUT, Lock, Hex Flange Head, M6
192	-----	2	SPACER, Chute Rotation Bracket
193	-----	1	SCREW, Hex Head, M6 X 70
258	-----	1	WASHER, 6 X 18 X 1.5, Flat
269	-----	1	WASHER, Rubber
275	-----	1	BRACKET, Chute Rotation
0440	771895	1	KIT, Chute Rotation Rod -(Incl. Ref. Nos. 40, 41, 42, 43, 185, 186, 187, 188, 189)
40	-----	1	PLATE, Rotation Rod, Bevel Gear
41	-----	2	SCREW, Hex Head, M6 X 20
42	-----	1	WASHER, Wave, 20
43	-----	1	RING, External Retaining, 20
185	-----	1	ROD, Chute Rotation, Driven
186	-----	4	PIN, 4 X 20, Spring
187	-----	2	UNIVERSAL JOINT
188	-----	1	ROD, Chute Rotation, Connecting
189	-----	1	ROD, Chute Rotation, Worm
0450	707524	2	KIT, Cardan Joint -(Incl. Ref. Nos. 186, 187)
186	-----	2	PIN, 4 X 20, Spring
187	-----	1	UNIVERSAL JOINT
0460	771864	1	KIT, Chute Rotation Bracket -(Incl. Ref. Nos. 15, 92, 194, 218)
15	-----	2	WASHER, Flat, 8 X 16 X 1.2
92	-----	2	WASHER, Lock, M8
194	-----	1	BRACKET, Chute Rotation Upper
218	-----	2	SCREW, Hex Head, M8 X 45
0470	770774	1	KIT, Bevel Gear, Chute Rotation -(Incl. Ref. Nos. 28, 29, 52)
28	-----	1	GEAR, Bevel
29	-----	1	GEAR, Bevel
52	-----	1	PIN, Spring, 4 X 28
0580	771734	1	KIT, Cable-Chute Deflector -(Incl. Ref. No. 27)
27	-----	1	CABLE, Deflector Control
0690	771996	1	KIT, Bracket, Chute Rotation Hardware -(Incl. Ref. Nos. 15, 92, 218)
15	-----	2	WASHER, Flat, 8 X 16 X 1.2
92	-----	2	WASHER, Lock, M8
218	-----	2	SCREW, Hex Head, M8 X 45
0700	84002905	1	KIT, Hardware, Chute Rotation -(Incl. Ref. Nos. 5, 209)
5	-----	2	RIVET, 4 X 13
209	-----	1	ADAPTER, Chute Ring

Engine & Frame Group

Note: Unless noted otherwise, use the standard torque specifications

Mfg. No: 1696828-02



Engine & Frame Group

REF NO	PART NO	QTY	DESCRIPTION
68	19J137-0001-F1	1	* ENGINE, 14.5TP Briggs & Stratton -(Engine Model: 19J137-0001-F1) (Refer to Note: *)
219	770805	1	IDLER, Auger
278	1688082	1	KIT, WATER SHIELD, 306/420CC
280	-----	1	MOTOR BOX ASSEMBLY, Charcoal -(Refer to Note: **)
0098	771904	6	KIT, Hardware -(Incl. Ref. No. 98)
98	-----	5	SCREW, Hex Head W/ Flat Washer, M6 X 12
0130	770792	1	KIT, Belt Cover -(Incl. Ref. Nos. 66, 67, 258)
66	-----	2	SCREW, Hex Head, M6 X 12
67	-----	1	COVER, Belt
258	-----	2	WASHER, 6 X 18 X 1.5, Flat
0140	770793	1	KIT, Idler Pulley, Traction Drive -(Incl. Ref. Nos. 2, 3, 15, 69, 70, 71, 72, 73, 74, 85)
2	-----	1	NUT, Lock, M8
3	-----	1	SPACER, Idler Plate, Small
15	-----	1	WASHER, Flat, 8 X 16 X 1.2
69	-----	2	SCREW, Hex Flange Head, M8 X 20
70	-----	1	BRACKET, Idler
71	-----	1	SCREW, Hex Head, M8 X 40
72	-----	1	SPACER, Idler Pulley
73	-----	1	PULLEY, Idler
74	-----	1	SPACER, Idler Pulley
85	-----	1	SPRING, Idler
0150	770818	1	KIT, Idler Pulley, Traction Drive -(Incl. Ref. Nos. 69, 75, 76, 77, 78, 79, 80, 81, 82, 83, 84)
69	-----	2	SCREW, Hex Flange Head, M8 X 20
75	84004762	1	KEY, Flat, 5 X 4.7 X 50
76	-----	1	GUIDE, Belt
77	-----	1	PULLEY, Drive
78	770799	1	BELT, Traction Drive
79	-----	1	SPACER, Belt Wheel
80	-----	1	PULLEY, Auger
81	770797	1	BELT, Auger Drive
82	-----	1	WASHER, 10x28x3, Flat
83	-----	1	WASHER, M10, Split Lock
84	-----	1	SCREW, Hex Head, M10 X 30
0160	770821	1	KIT, Bottom Cover -(Incl. Ref. Nos. 98, 183, 184)
98	-----	10	SCREW, Hex Head W/ Flat Washer, M6 X 12
183	-----	1	COVER, Back
184	-----	1	COVER, Bottom
0350	707565	1	KIT-HARDWARE, IDLER BRACKET -(Incl. Ref. Nos. 131, 220, 221)
131	-----	1	NUT, Lock, M10
220	-----	1	WASHER, Flat, 10 X 20 X 2
221	-----	1	SCREW, Hex Head, M10 X 13
0360	770806	1	SPRING, Idler Pulley -(Incl. Ref. Nos. 2, 222)

Footnotes:

Note:** Not a serviceable part.

Note:* Refer to your local Briggs & Stratton distributor for parts and service.

Engine & Frame Group

REF NO	PART NO	QTY	DESCRIPTION
2	-----	1	NUT, Lock, M8
222	-----	1	SPRING, Idler
0370	770807	1	KIT, Idler Pulley, Tension Plate -(Incl. Ref. Nos. 2, 15, 74, 216, 217, 218)
2	-----	1	NUT, Lock, M8
15	-----	1	WASHER, Flat, 8 X 16 X 1.2
74	-----	1	SPACER, Idler Pulley
216	-----	1	PULLEY, Idler
217	-----	1	SPACER, Sleeve, Idler Pulley
218	-----	1	SCREW, Hex Head, M8 X 45
--	6219MA	1	CORD, Electric, 10FT. 110V -(Not Illustrated)

Not For
Reproduction

Footnotes:

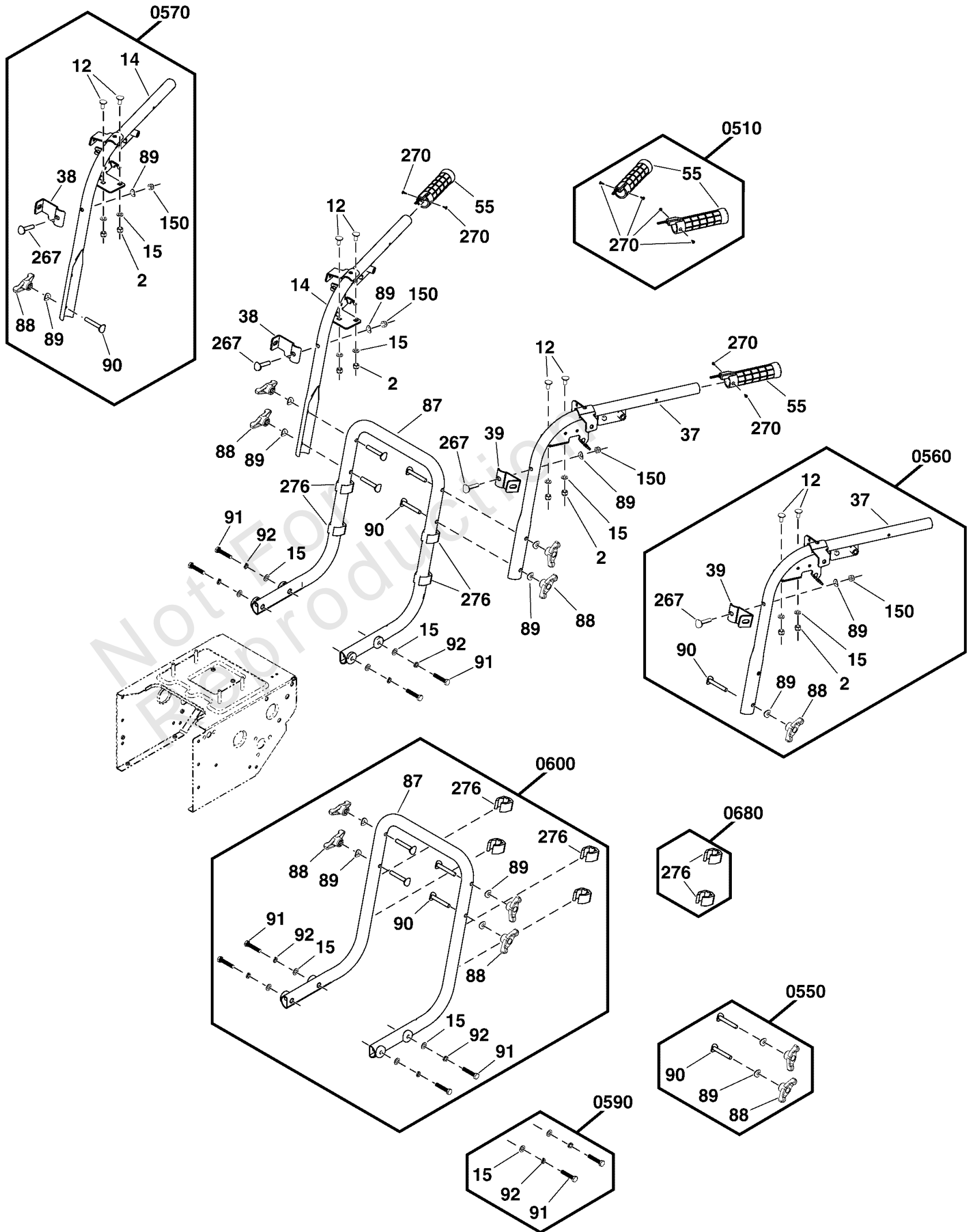
Note:** Not a serviceable part.

Note:* Refer to your local Briggs & Stratton distributor for parts and service.

Handles Group

Note: Unless noted otherwise, use the standard torque specifications

Mfg. No: 1696828-02



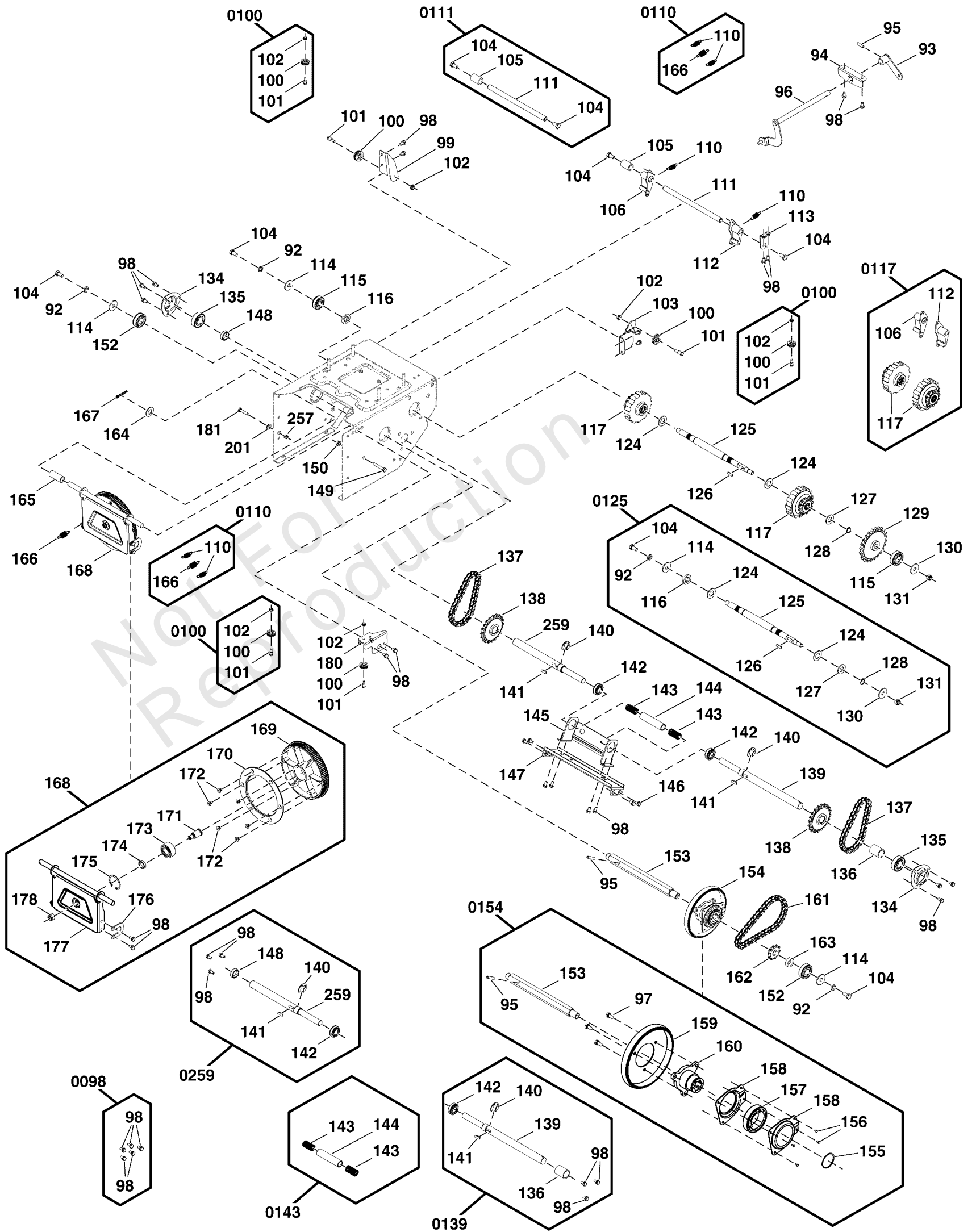
Handles Group

REF NO	PART NO	QTY	DESCRIPTION
0510	770769	1	KIT, Grip, Handle -(Incl. Ref. Nos. 55, 270)
55	-----	2	HAND GRIP, Heated, 60W
270	-----	4	SCREW #6-20X0.380 SELFDRILL PAN HD ZC/CL
0550	707513	2	KIT, Wing Knob, Handle -(Incl. Ref. Nos. 88, 89, 90)
88	-----	2	KNOB, Wing, M8
89	-----	2	WASHER, M8, Curved
90	-----	2	BOLT, Carriage, M8 X 55
0560	770776	1	KIT, Upper Handle, Left -(Incl. Ref. Nos. 2, 12, 15, 37, 39, 88, 89, 90, 150, 267)
2	-----	2	NUT, Lock, M8
12	-----	2	BOLT, Carriage, M8 X 16
15	-----	2	WASHER, Flat, 8 X 16 X 1.2
37	-----	1	HANDLE, Upper Left
39	-----	1	BRACKET, Mounting, Dash, Left
88	-----	1	KNOB, Wing, M8
89	-----	2	WASHER, M8, Curved
90	-----	1	BOLT, Carriage, M8 X 55
150	-----	1	NUT, Hex Flange Head, M8
267	-----	1	BOLT, M8x40, Carriage, Curved Head
0570	770778	1	KIT, Upper Handle, Right -(Incl. Ref. Nos. 2, 12, 14, 15, 38, 88, 89, 90, 150, 267)
2	-----	2	NUT, Lock, M8
12	-----	2	BOLT, Carriage, M8 X 16
14	-----	1	HANDLE, Upper Right
15	-----	2	WASHER, Flat, 8 X 16 X 1.2
38	-----	1	BRACKET, Mounting, Dash, Right
88	-----	1	KNOB, Wing, M8
89	-----	2	WASHER, M8, Curved
90	-----	1	BOLT, Carriage, M8 X 55
150	-----	1	NUT, Hex Flange Head, M8
267	-----	1	BOLT, M8x40, Carriage, Curved Head
0590	770780	2	KIT, Lower Handle Hardware -(Incl. Ref. Nos. 15, 91, 92)
15	-----	2	WASHER, Flat, 8 X 16 X 1.2
91	-----	2	SCREW, Hex Head, M8 X 40
92	-----	2	WASHER, Lock, M8
0600	770781	1	KIT, Lower Handle -(Incl. Ref. Nos. 15, 87, 88, 89, 90, 91, 92, 276)
15	-----	4	WASHER, Flat, 8 X 16 X 1.2
87	-----	1	HANDLE, Lower
88	-----	4	KNOB, Wing, M8
89	-----	4	WASHER, M8, Curved
90	-----	4	BOLT, Carriage, M8 X 55
91	-----	4	SCREW, Hex Head, M8 X 40
92	-----	4	WASHER, Lock, M8
276	-----	4	CLAMP, Cable Guide
0680	771930	2	KIT, Clamp, Cable Guide -(Incl. Ref. No. 276)
276	-----	2	CLAMP, Cable Guide

Transaxle Drive Group

Note: Unless noted otherwise, use the standard torque specifications

Mfg. No: 1696828-02



Transaxle Drive Group

REF NO	PART NO	QTY	DESCRIPTION
93	771916	1	ARM, Speed Select
94	771915	1	BRACKET, Speed Select
95	771912	2	PIN, Spring, 6 X 30
96	771913	1	ROD, Speed Select, Fork
99	771918	1	BRACKET, Cable Guide, Traction Control
103	771917	1	BRACKET, Cable Guide, Auger Control
113	-----	1	BRACKET, Pawl
115	771902	2	BEARING, Ball
129	771906	1	SPROCKET, 24T
134	771911	2	RETAINER, Ball Bearing
135	771901	2	BEARING, Ball
136	771914	1	SLEEVE, Drive Shaft
137	771907	2	CHAIN, Roller, 30
138	771908	2	SPROCKET, 20T
143	-----	2	SPRING, Drive Shaft
144	-----	1	SLEEVE, Drive Shaft
145	-----	1	BRACKET, Drive Shaft
146	-----	4	SCREW, Hex Head, M8 X 16
147	-----	1	PLATE, Drive Shaft Bracket
149	-----	1	SCREW, Hex Head, M8 X 50
150	-----	1	NUT, Hex Flange Head, M8
152	771900	2	BEARING, Ball
154	-----	1	FRICITION WHEEL ASSEMBLY
161	771910	1	CHAIN, Roller, 36
162	771909	1	SPROCKET, 10T
163	-----	1	BUSHING, Hex Shaft
164	-----	1	WASHER, Flat, 13 X 24 X 2
165	-----	1	SLEEVE, Spacer, Swinging Plate
167	-----	1	PIN, Cotter, 2.5 X 30
168	771905	1	ASSEMBLY, Friction Swinging Plate -(Incl. Ref. Nos. 98, 169, 170, 171, 172, 173, 174, 175, 176, 177, 178)
98	-----	2	SCREW, Hex Head W/ Flat Washer, M6 X 12
169	-----	1	PULLEY, Friction
170	-----	1	COVER, Friction Pulley
171	-----	1	SHAFT, Bearing Retainer, M10
172	-----	6	SCREW, Phillips Head, M6 X 10
173	-----	1	BEARING, Ball
174	-----	1	SLEEVE, Spacer, Swinging Plate
175	-----	1	RING, Internal Retaining, 40
176	-----	1	BRACKET, Swinging Plate
177	-----	1	PLATE, Swinging
178	-----	1	NUT, Lock, M10
180	-----	1	BRACKET, Cable Guide
181	-----	1	SCREW, Hex Head, M6 X 30
201	-----	1	WASHER, 6x12x.7, Flat
257	-----	1	NUT, Lock, M6
0098	771904	6	KIT, Hardware -(Incl. Ref. No. 98)
98	-----	5	SCREW, Hex Head W/ Flat Washer, M6 X 12
0100	707541	3	KIT, Pulley, Cable -(Incl. Ref. Nos. 100, 101, 102)
100	-----	1	PULLEY, Cable

Transaxle Drive Group

REF NO	PART NO	QTY	DESCRIPTION
101	-----	1	SCREW, M6 X 12, Hex Head Shoulder
102	-----	1	NUT, HEX FLANGE HEAD, M6
0110	771706	1	KIT, Spring, Traction Drive -(Incl. Ref. Nos. 110, 166)
110	-----	2	SPRING, Pawl
166	-----	1	SPRING, Extension
0111	771712	1	KIT, Shaft, Pawl -(Incl. Ref. Nos. 104, 105, 111)
104	-----	2	SCREW, Hex Head, M8X20
105	-----	1	SLEEVE, PAWL
111	-----	1	SHAFT, PAWL
0117	771709	1	KIT, Planitary and Pawl Assembly -(Incl. Ref. Nos. 106, 112, 117)
106	-----	1	PAWL Assembly, Right
112	-----	1	PAWL Assembly, Left
117	-----	2	GEAR, Planitary Assembly
0125	771713	1	KIT, Shaft, Differential -(Incl. Ref. Nos. 92, 104, 114, 116, 124, 125, 126, 127, 128, 130, 131)
92	-----	1	WASHER, Lock, M8
104	-----	1	SCREW, Hex Head, M8X20
114	-----	1	WASHER, Flat, 8 X 28 X 2
116	-----	1	SPACER, SHAFT, DIFFERENTIAL
124	-----	2	WASHER, FLAT, 16X30X2
125	-----	1	SHAFT, DIFFERENTIAL
126	-----	1	KEY, FLAT, 5X5X22
127	-----	1	WASHER, FLAT, 14X28X2
128	-----	1	RING, RETAINING, 14
130	-----	1	WASHER, Flat, 10 X 28 X 2
131	-----	1	NUT, Lock, M10
0139	771711	1	KIT, Shaft, Traction Drive LH -(Incl. Ref. Nos. 98, 136, 139, 140, 141, 142)
98	-----	3	SCREW, Hex Head W/ Flat Washer, M6 X 12
136	-----	1	SLEEVE, Drive Shaft
139	-----	1	AXLE
140	-----	1	WASHER, LOCK, M15
141	-----	1	KEY, WOODRUFF
142	-----	1	BEARING, BALL, DEEP GROOVE
0143	84003161	1	KIT, Spring -(Incl. Ref. Nos. 143, 144)
143	-----	2	SPRING, Drive Shaft
144	-----	1	SLEEVE, Drive Shaft
0154	771708	1	KIT, Friction Wheel -(Incl. Ref. Nos. 95, 97, 153, 155, 156, 157, 158, 159, 160)
95	-----	1	PIN, Spring, 6 X 30
97	-----	3	SCREW, Hex Head w/ Lock Washer, M6 X 12
153	-----	1	SHAFT, Hex
155	-----	1	RING, External Retaining
156	-----	4	RIVET, 3 X 6
157	-----	1	BEARING, Ball
158	-----	2	RETAINER, Ball Bearing
159	771892	1	WHEEL, Friction
160	-----	1	HUB, Friction Wheel
0259	771710	1	KIT, Shaft, Traction Drive RH -(Incl. Ref. Nos. 98, 140, 141, 142, 148, 259)

Transaxle Drive Group

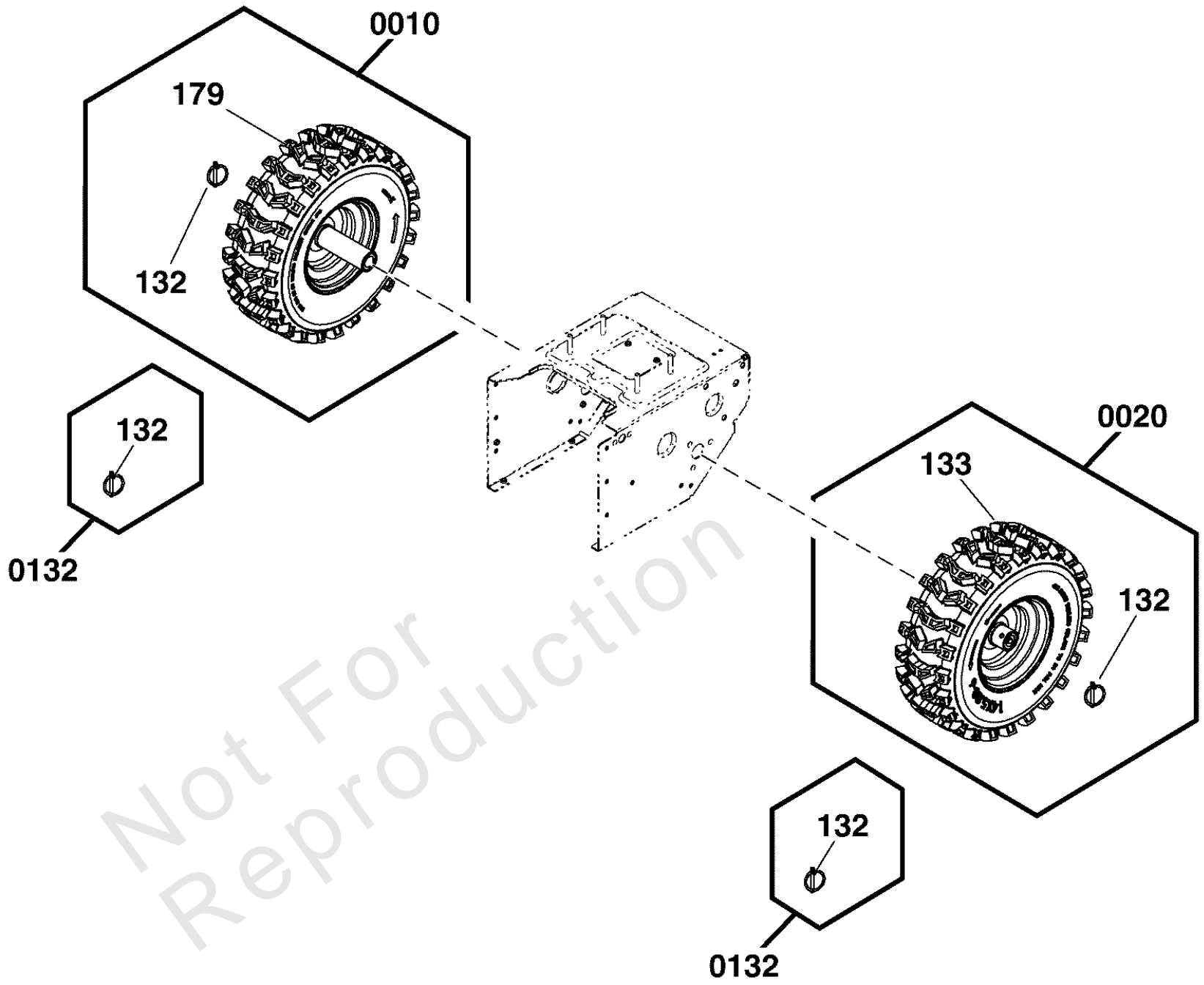
REF NO	PART NO	QTY	DESCRIPTION
98	-----	3	SCREW, Hex Head W/ Flat Washer, M6 X 12
140	-----	1	WASHER, LOCK, M15
141	-----	1	KEY, WOODRUFF
142	-----	1	BEARING, BALL, DEEP GROOVE
148	-----	1	SLEEVE, DRIVE SHAFT
259	-----	1	AXLE

Not For Reproduction

Wheels & Tires Group

Note: Unless noted otherwise, use the standard torque specifications

Mfg. No: 1696828-02



Wheels & Tires Group

REF NO	PART NO	QTY	DESCRIPTION
0010	771718	1	KIT, Wheel & Tire Right -(Incl. Ref. Nos. 132, 179)
132	-----	1	PIN, Klik
179	-----	1	WHEEL ASSEMBLY, 16 X 5, Right
0020	771719	1	KIT, Wheel & Tire Left -(Incl. Ref. Nos. 132, 133)
132	-----	1	PIN, Klik
133	-----	1	WHEEL ASSEMBLY, 16 X 5, Left
0132	84003816	2	KIT, Klik Pin -(Incl. Ref. Nos. 132)
132	-----	1	PIN, Klik

Not For Reproduction

