



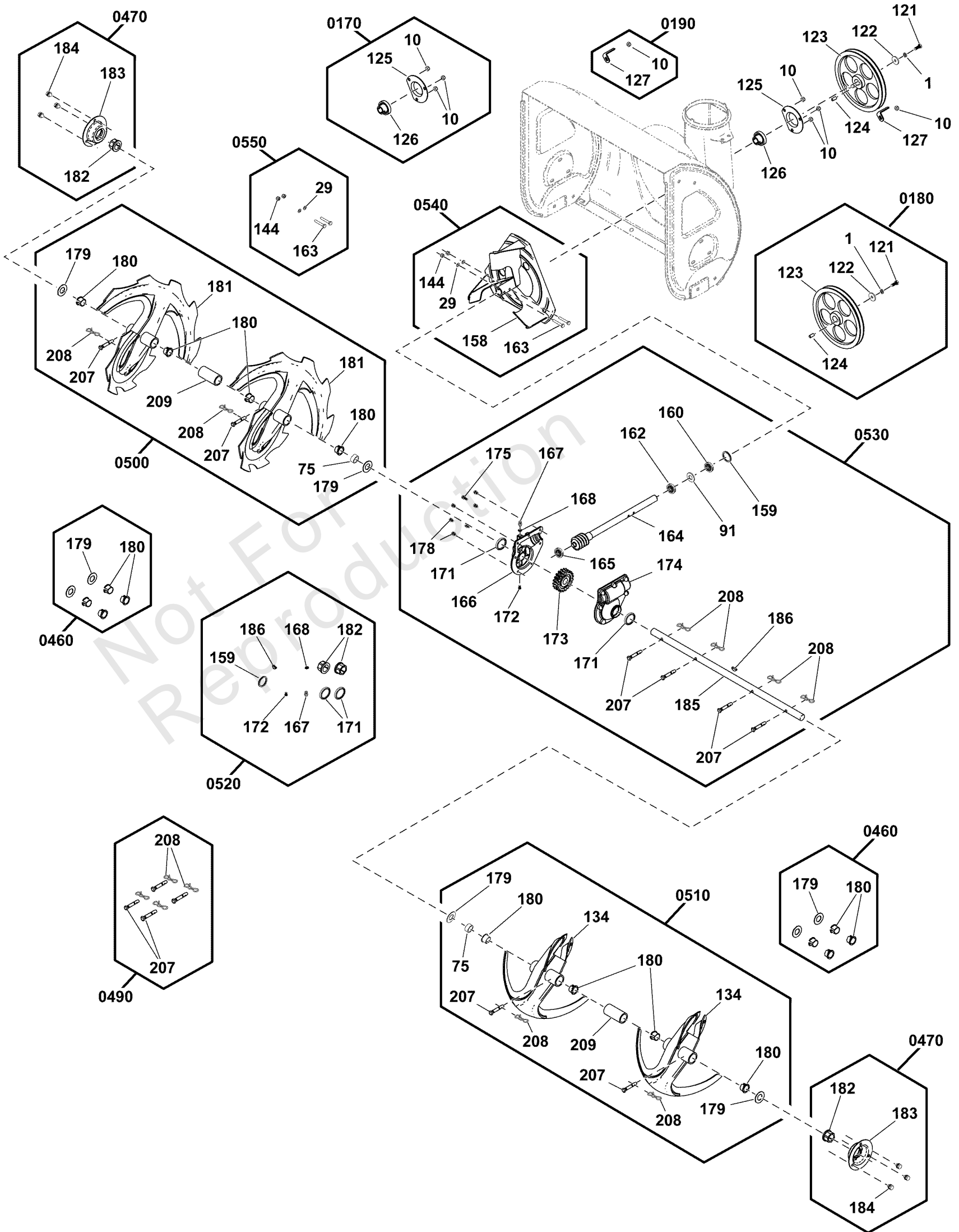
Parts Manual

Mfg. No: 1697439-00
1024L, 9.5 Gross TP 24" Dual Stage
Snowthrower (2021)

Auger Drive Group

Note: Unless noted otherwise, use the standard torque specifications

Mfg. No: 1697439-00



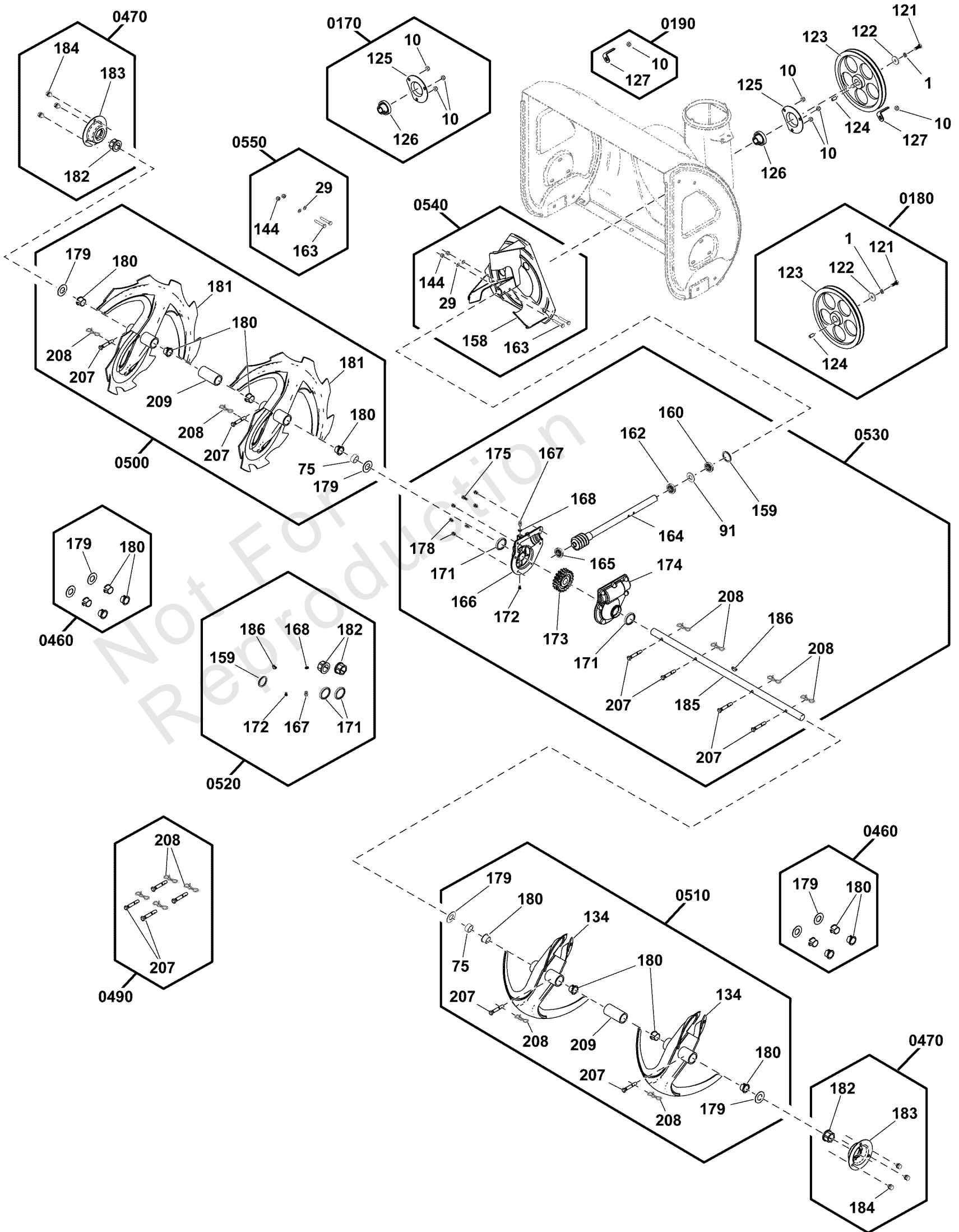
Auger Drive Group

REF NO	PART NO	QTY	DESCRIPTION
0170	770800	1	KIT, Bearing Hardware, Auger Pulley -(Incl. Ref. Nos. 10, 125, 126)
10	-----	3	NUT, Lock, M8
125	-----	1	RETAINER, Ball Bearing
126	-----	1	BEARING, Ball
0180	707823		KIT, AUGER PULLEY -(Incl. Ref. Nos. 1, 121, 122, 123, 124)
1	-----	1	WASHER, Lock, M8
121	-----	1	SCREW, Hex Head, M8X20
122	-----	1	WASHER, Flat, 8 X 28 X 3
123	-----	1	PULLEY, Driven
124	-----	1	KEY, Flat, 6 X 6 X 17
0190	707547	1	KIT, BELT GUIDE, AUGER -(Incl. Ref. Nos. 10, 127)
10	-----	1	NUT, Lock, M8
127	-----	1	GUIDE, Belt
0460	84003703	2	KIT, Auger Shaft Hardware -(Incl. Ref. Nos. 179, 180)
179	-----	2	WASHER, Flat
180	-----	4	BEARING, Auger Shaft
0470	707824	2	KIT, MOUNTING PLATE, AUGER HOUSING -(Incl. Ref. Nos. 182, 183, 184)
182	-----	1	BEARING, Auger Shaft
183	-----	1	CAP, Bearing
184	-----	3	SCREW, Hex Head, M8 X 16
0490	84003702	1	KIT, SHEAR PIN, AUGER -(Incl. Ref. Nos. 207, 208)
207	-----	4	PIN, Shear
208	-----	4	PIN, Cotter
0500	84003868	1	KIT, Auger Assembly, Right -(Incl. Ref. Nos. 75, 179, 180, 181, 207, 208, 209)
75	-----	1	SLEEVE, Auger Shaft
179	-----	2	WASHER, Flat
180	-----	4	BEARING, Auger Shaft
181	-----	2	AUGER, 24", Right, Black
207	-----	2	PIN, Shear
208	-----	2	PIN, Cotter
209	-----	1	SLEEVE, Auger Shaft
0510	84003701		KIT, Auger Assembly, Left -(Incl. Ref. Nos. 75, 134, 179, 180, 207, 208, 209)
75	-----	1	SLEEVE, Auger Shaft
134	-----	2	AUGER, 24", Left, Black
179	-----	2	WASHER, Flat
180	-----	4	BEARING, Auger Shaft
207	-----	2	PIN, Shear
208	-----	2	PIN, Cotter
209	-----	1	SLEEVE, Auger Shaft
0520	84001632	1	KIT, Seal, Gearbox -(Incl. Ref. Nos. 159, 167, 168, 171, 172, 182, 186)
159	-----	1	SEAL, Oil
167	-----	1	ZERK, Grease Fitting
168	-----	1	WASHER, Wave
171	-----	2	SEAL, Oil
172	-----	1	BOLT, Phillips Head, M5 X 10

Auger Drive Group

Note: Unless noted otherwise, use the standard torque specifications

Mfg. No: 1697439-00



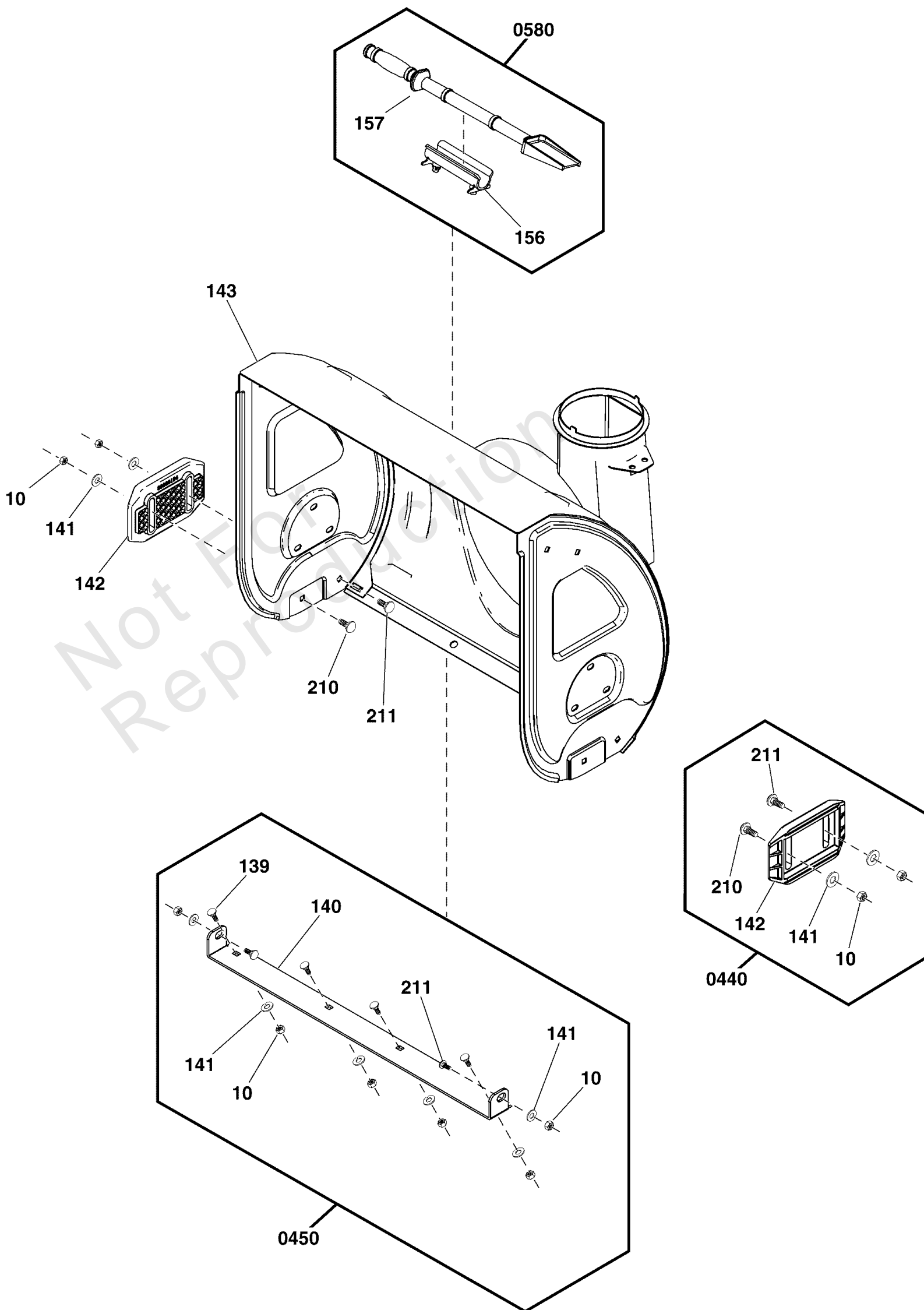
Auger Drive Group

REF NO	PART NO	QTY	DESCRIPTION
182	-----	2	BEARING, Auger Shaft
186	-----	1	KEY, WOODRUFF
0530	84004725	1	KIT, Gearbox -(Incl. Ref. Nos. 91, 159, 160, 162, 164, 165, 166, 167, 168, 171, 172, 173, 174, 175, 178, 185, 186, 207, 208)
91	-----	1	WASHER, Flat
159	-----	1	SEAL, Oil
160	-----	1	BEARING
162	-----	1	BEARING
164	-----	1	SHAFT, Impeller Wormgear
165	-----	1	BEARING
166	-----	1	GEAR CASE, Right
167	-----	1	ZERK, Grease Fitting
168	-----	1	WASHER, Wave
171	-----	2	SEAL, Oil
172	-----	1	BOLT, Phillips Head, M5 X 10
173	-----	1	GEAR, Worm
174	-----	1	GEAR CASE, Left
175	-----	1	BOLT, Hex, M6 X 25
178	-----	6	SCREW, Hex Head, M6 X 20
185	-----	1	SHAFT, Auger Out
186	-----	1	KEY, WOODRUFF
207	-----	4	PIN, Shear
208	-----	4	PIN, Cotter
0540	707828	1	KIT, IMPELLER ASSEMBLY -(Incl. Ref. Nos. 29, 144, 158, 163)
29	-----	2	WASHER, 6x12x.7, Flat
144	-----	2	NUT, Lock, M6
158	-----	1	IMPELLAR
163	-----	2	BOLT, Hex, M6 X 38
0550	707758	1	KIT, SHEAR PIN, IMPELLER -(Incl. Ref. Nos. 29, 144, 163)
29	-----	2	WASHER, 6x12x.7, Flat
144	-----	2	NUT, Lock, M6
163	-----	2	BOLT, Hex, M6 X 38

Auger Housing Group

Note: Unless noted otherwise, use the standard torque specifications

Mfg. No: 1697439-00



Auger Housing Group

REF NO	PART NO	QTY	DESCRIPTION
143	-----	1	AUGER HOUSING, 24" -(Refer to Note:*)
0440	84004733	1	KIT, Skid Shoe -(Incl. Ref. Nos. 10, 141, 142, 210, 211)
10	-----	4	NUT, Lock, M8
141	-----	4	WASHER, 8x22x2, Flat
142	-----	2	SHOE, Skid, Reversible
210	-----	2	BOLT, Carriage, M8 X 25
211	-----	2	BOLT, Carriage, M8 X 30
0450	84004734	1	KIT, Scraper Bar -(Incl. Ref. Nos. 10, 139, 140, 141, 211)
10	-----	6	NUT, Lock, M8
139	-----	4	BOLT, Carriage, M8 X 18
140	-----	1	BLADE, Scraper, 24"
141	-----	6	WASHER, 8x22x2, Flat
211	-----	2	BOLT, Carriage, M8 X 30
0580	707549	1	KIT, CLEANOUT BRUSH STICK -(Incl. Ref. Nos. 156, 157)
156	-----	1	CLAMP, Cleanout
157	-----	1	SHOVEL, Cleanout

Not For
Reproduction

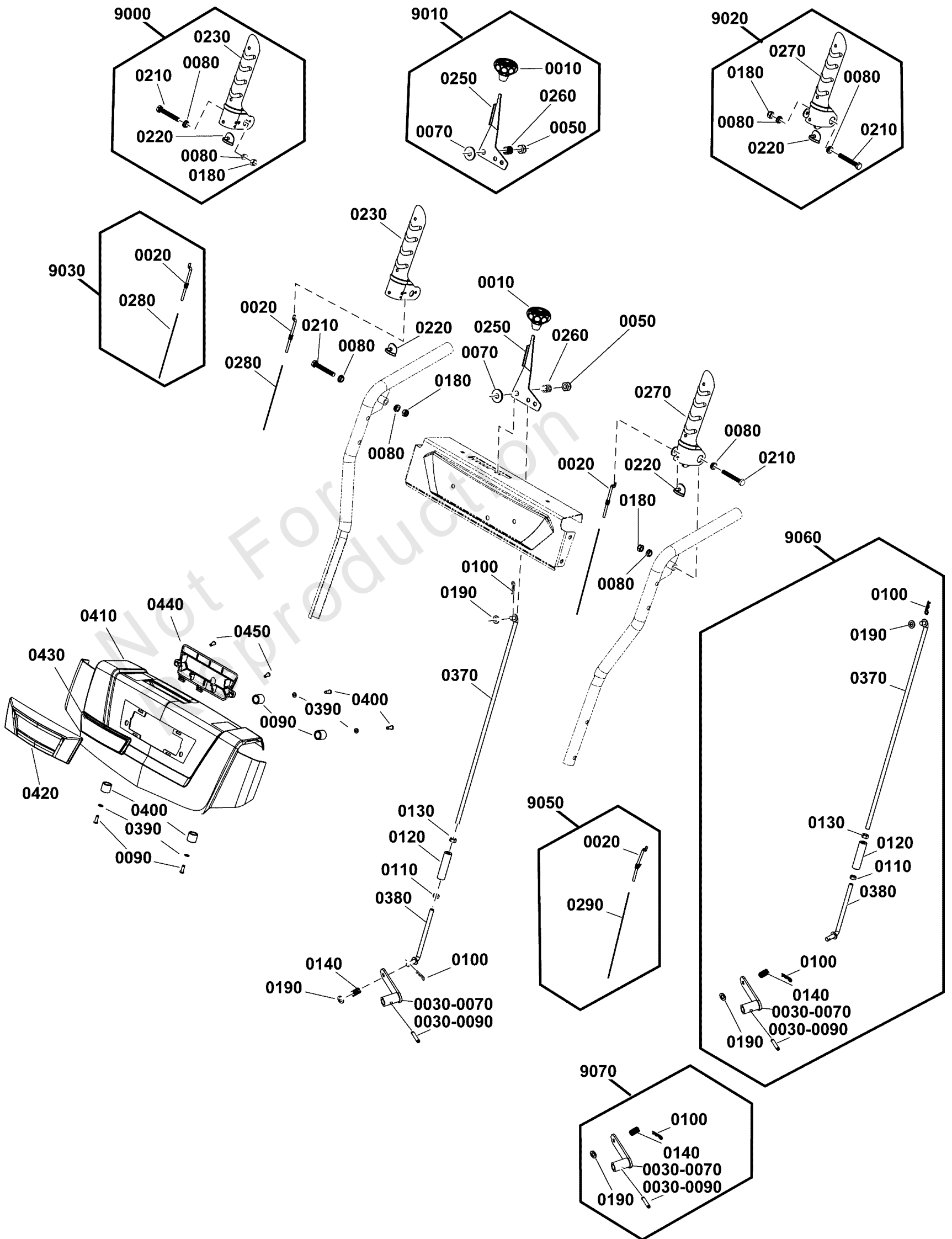
Footnotes:

Note:* Not a serviceable part.

Controls Group

Note: Unless noted otherwise, use the standard torque specifications

Mfg. No: 1697439-00



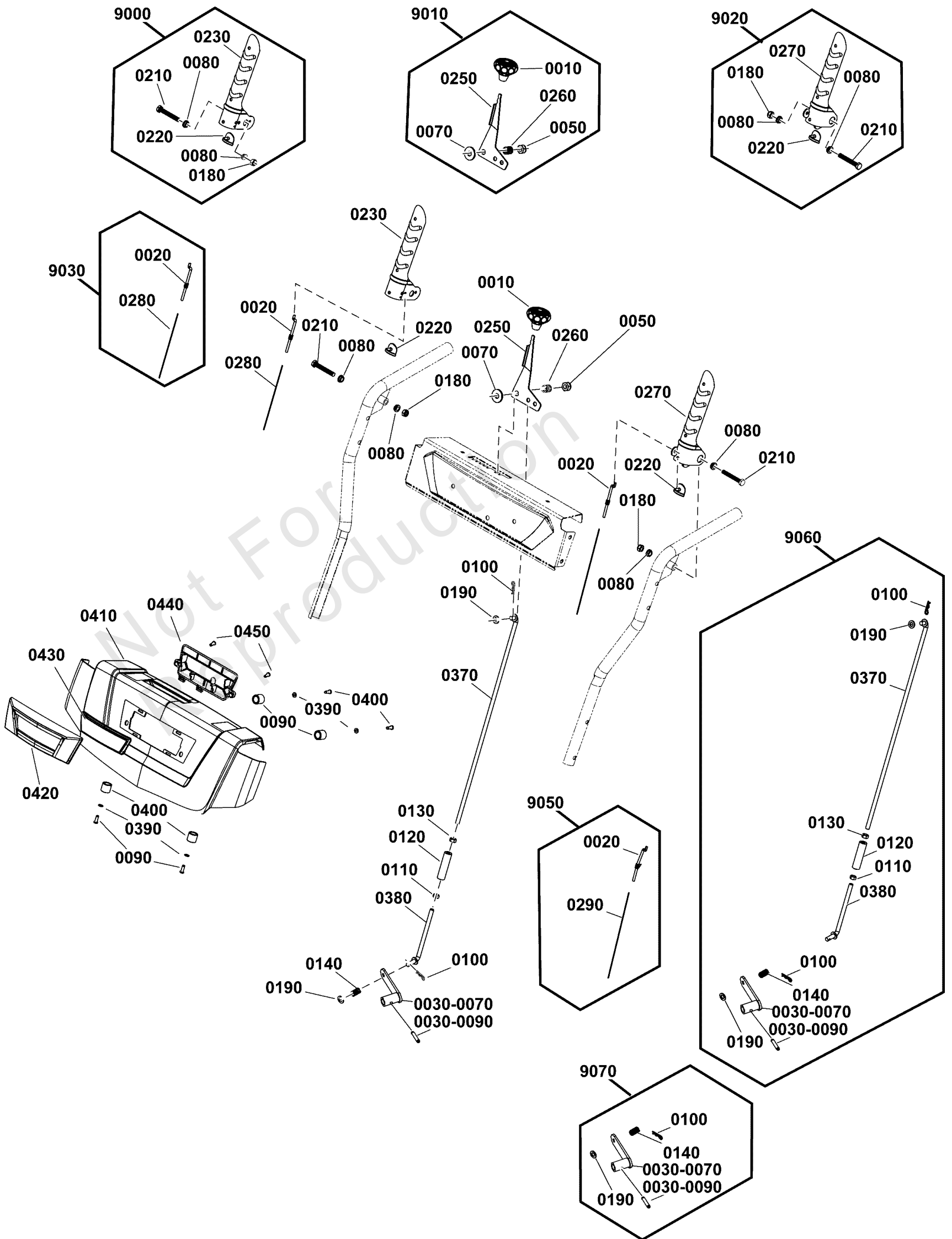
Controls Group

REF NO	PART NO	QTY	DESCRIPTION
9000	707800	1	KIT, RIGHT HAND LEVER, TRACTION DRIVE -(Incl. Ref. Nos. 0080, 0180, 0210, 0220, 0230)
0080	-----	2	SPACER, Idler Plate, Small
0180	-----	1	NUT, Lock, M8
0210	-----	1	SCREW, Hex Head, M8X55
0220	-----	1	CAP, Rubber
0230	-----	1	*LEVER, Traction Drive
9010	707794	1	KIT, LEVER, SPEED -(Incl. Ref. Nos. 0010, 0050, 0070, 0250, 0260)
0010	-----	1	KNOB, Speed Control Lever
0050	-----	1	NUT, Lock, M10
0070	-----	1	WASHER, 10x28x3, Flat
0250	-----	1	LEVER, Speed Control
0260	-----	1	SPRING, Speed Control
9020	707802	1	KIT, LEFT HAND LEVER, AUGER DRIVE -(Incl. Ref. Nos. 0080, 0180, 0210, 0220, 0270)
0080	-----	2	SPACER, Idler Plate, Small
0180	-----	1	NUT, Lock, M8
0210	-----	1	SCREW, Hex Head, M8X55
0220	-----	1	CAP, Rubber
0270	-----	1	LEVER, Auger Engagement
9030	707766	1	KIT, CABLE, TRACTION DRIVE -(Incl. Ref. Nos. 0020, 0280)
0020	-----	1	KIT, Cable Hardware
0280	-----	1	CABLE, Traction Drive
0090	-----	5	SCREW, Phillips Head, ST4, 2 X 14
0390	-----	4	WASHER, Flat
0400	-----	4	BUCKLE, Lamp
0410	84007123	1	PANEL, Dash
0420	84007125	1	LIGHT COVER, Front
0430	84007126	1	HEADLIGHT ASSEMBLY
0440	84007125	1	LIGHT COVER, Front
0450	84007124	1	SCREW, Phillips, HD 2x10
9050	707803	1	KIT, Cable, Auger Drive -(Incl. Ref. Nos. 0020, 0290)
0020	-----	1	KIT, Cable Hardware
0290	-----	1	CABLE, Auger Drive
9060	707818	1	KIT, SHIFT ROD -(Incl. Ref. Nos. 0030-0070, 0030-0090, 0100, 0110, 0120, 0130, 0140, 0190, 0370, 0380)
0030-0070	-----	1	ARM, Speed Select
0030-0090	-----	1	PIN, Spring, 6 X 30
0100	-----	2	PIN, Hair, Cotter
0110	-----	1	NUT, Hex, M8
0120	-----	1	SLEEVE, Adjustment, M8
0130	-----	1	NUT, Hex, M8
0140	-----	1	SPRING, Speed Select
0190	-----	2	WASHER, FLAT, 8X16X1.2
0370	-----	1	ROD, Upper, Speed Control
0380	-----	1	ROD, Lower, Speed Control
9070	709539	1	KIT, SHIFT ROD HARDWARE -(Incl. Ref. Nos. 0030-0070, 0030-0090, 0100, 0140, 0190)
0030-0070	-----	1	ARM, Speed Select

Controls Group

Note: Unless noted otherwise, use the standard torque specifications

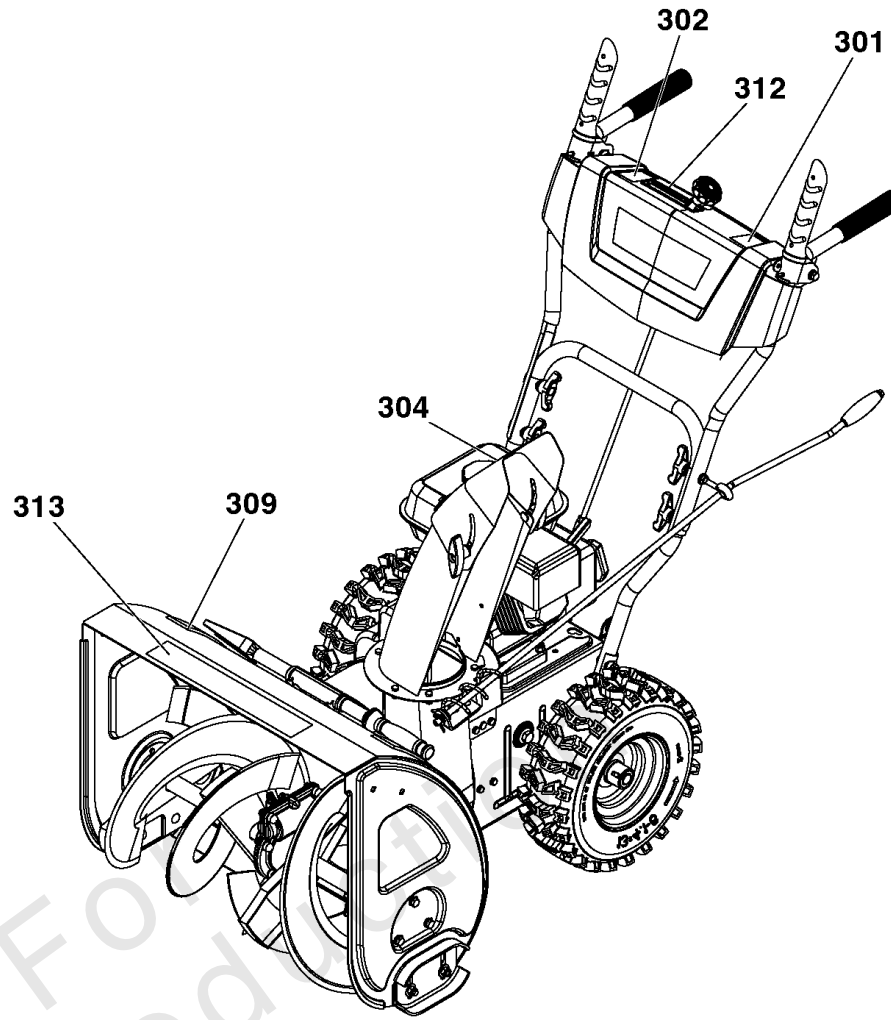
Mfg. No: 1697439-00



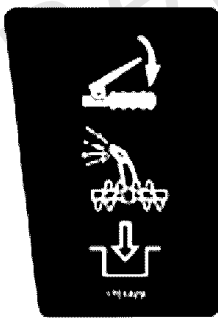
Controls Group

REF NO	PART NO	QTY	DESCRIPTION
0030-0090	-----	1	PIN, Spring, 6 X 30
0100	-----	1	PIN, Hair, Cotter
0140	-----	1	SPRING, Speed Select
0190	-----	1	WASHER, FLAT, 8X16X1.2

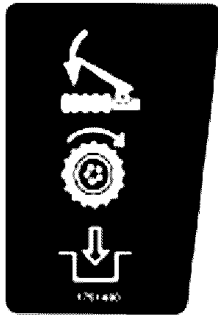
Not For Reproduction



0010



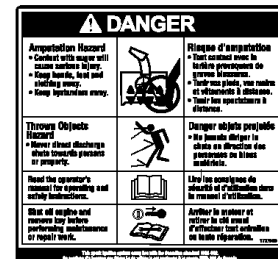
301



302



304



309



312



313

Decals Group

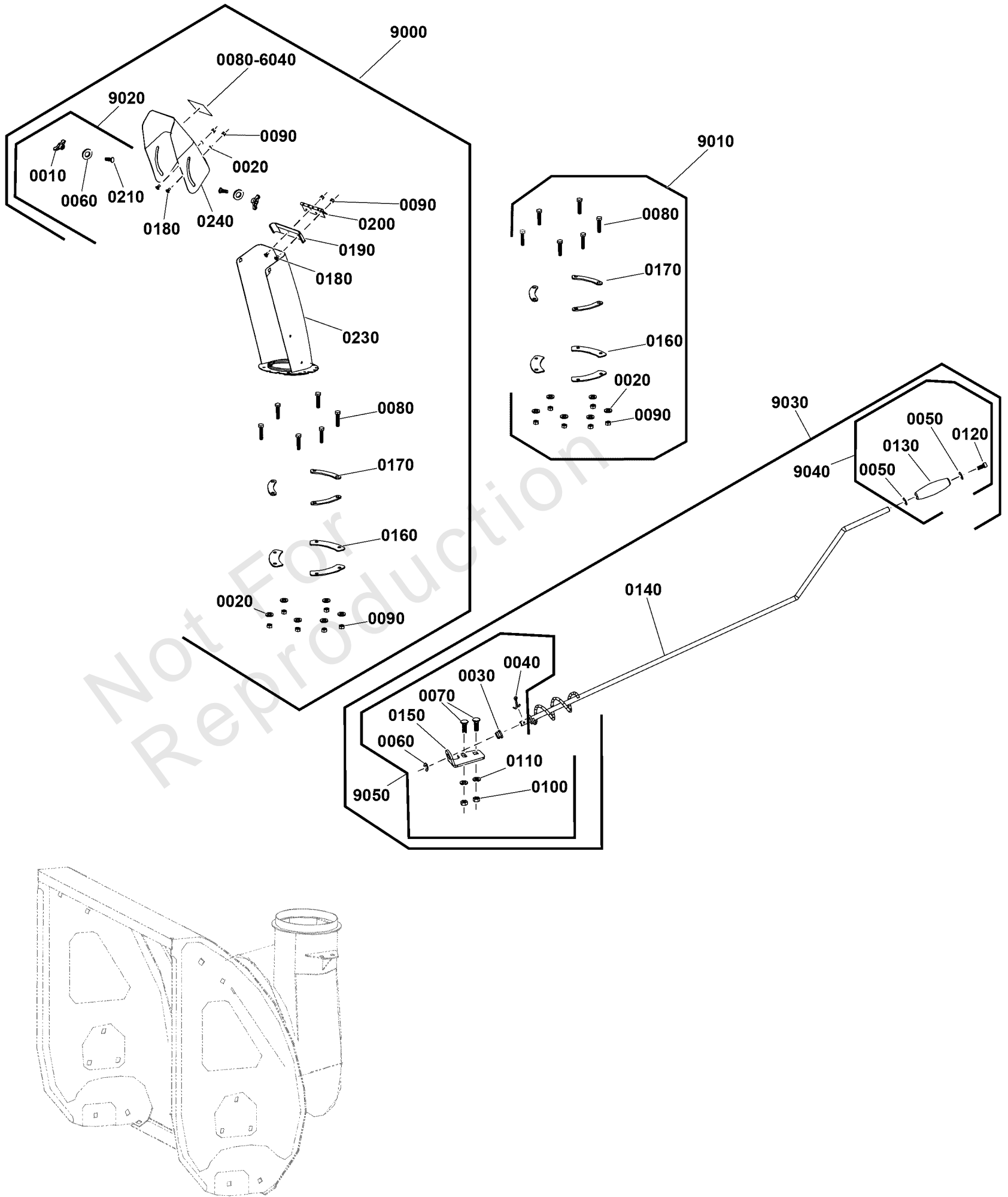
REF NO	PART NO	QTY	DESCRIPTION
0010	84007643	1	DECAL, Kit -(Incl. Ref. Nos. 301, 302, 304, 309, 312, 313)
301	-----	1	DECAL, Auger Control
302	-----	1	DECAL, Traction Control
304	1737865YP	1	DECAL, Danger Chute
309	1737866YP	1	DECAL, Danger Foot
312	-----	1	DECAL, 1-6 Transmission Speed Control
313	-----	1	DECAL, Auger Housing

Not For Reproduction

Discharge Chute Group

Note: Unless noted otherwise, use the standard torque specifications

Mfg. No: 1697439-00



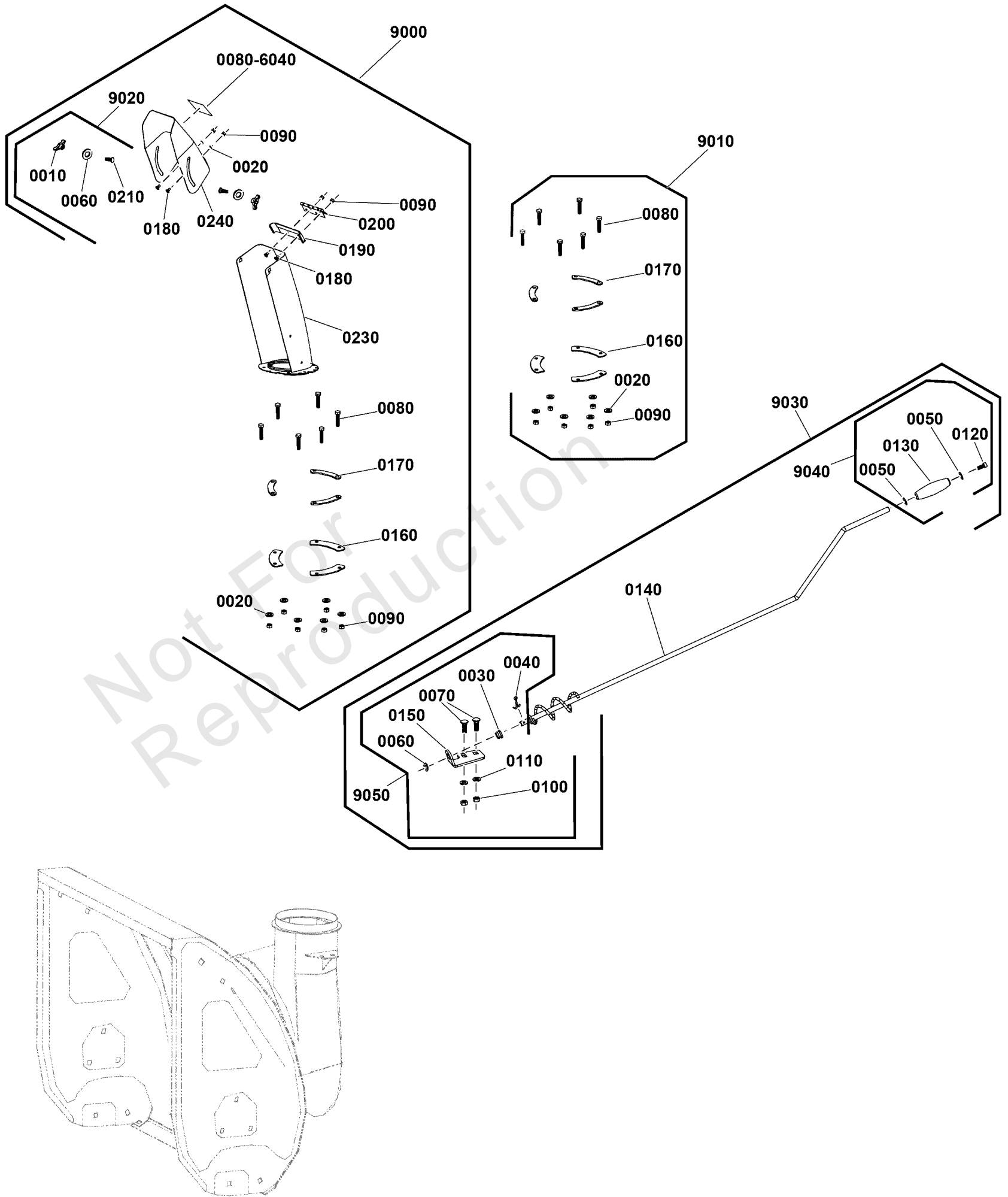
Discharge Chute Group

REF NO	PART NO	QTY	DESCRIPTION
9000	84006273	1	KIT-CHUTE ASSEMBLY, BLACK, NA -(Incl. Ref. No. 0010, 0020, 0060, 0080, 0080-6040, 0090, 0160, 0170, 0180, 0190, 0200, 0210, 0230, 0240,)
0010	-----	2	KNOB, Wing, M8
0020	-----	8	WASHER, 6x12x.7, Flat
0060	-----	2	WASHER, Flat, 10 X 20 X 2
0080	-----	6	SCREW, Hex Head, M6X16
0080-6040	1737865YP	1	DECAL, Danger Chute Warning, FR/ENG
0090	-----	10	NUT, Lock, M6
0160	-----	3	PLATE, Chute Mounting, LD
0170	-----	3	GASKET, Chute Mounting, LD
0180	-----	4	BOLT, Phillips Head, M6X10
0190	-----	1	GASKET, Chute Deflector, LD
0200	-----	1	HINGE, Chute
0210	-----	2	BOLT, Carriage, M8 X 25
0230	-----	1	WELDMENT, Chute, LD
0240	-----	1	WELDMENT, Chute Deflector, LD
9010	84006274	1	KIT, Hardware, Chute Rotation -(Incl. Ref. No. 0020, 0080, 0090, 0160, 0170)
0020	-----	6	WASHER, 6x12x.7, Flat
0080	-----	6	SCREW, Hex Head, M6X16
0090	-----	6	NUT, Lock, M6
0160	-----	3	PLATE, Chute Mounting, LD
0170	-----	3	GASKET, Chute Mounting, LD
9020	707759	2	KIT-WING KNOB, CHUTE -(Incl. Ref. No. 0010, 0060, 0210)
0010	-----	1	KNOB, Wing, M8
0060	-----	1	WASHER, Flat, 10 X 20 X 2
0210	-----	1	BOLT, Carriage, M8 X 25
9030	84006276	1	KIT-CHUTE ROTATION -(Incl. Ref. No. 0030, 0040, 0050, 0060, 0070, 0100, 0110, 0120, 0130, 0140, 0150)
0030	-----	1	RING, SJ Mounting Plate, Plastic
0040	-----	1	PIN, Cotter, 2.2X25
0050	-----	2	WASHER, Flat, 10 X 20 X 1
0060	-----	1	WASHER, Flat, 10 X 20 X 2
0070	-----	2	BOLT, Carriage, M8 X 18
0100	-----	2	NUT, Lock, M8
0110	-----	2	WASHER, FLAT, 8X16X1.2
0120	-----	1	HEX SCREW, Flange, M6X10
0130	-----	1	HANDLE, Barrel, LD
0140	-----	1	ROD, Crank, LD
0150	-----	1	BRACKET, Chute Rod, LD
9040	84006275	1	KIT-HANDLE, CHUTE ROD -(Incl. Ref. No. 0050, 0120, 0130)
0050	-----	2	WASHER, Flat, 10 X 20 X 1
0120	-----	1	HEX SCREW, Flange, M6X10
0130	-----	1	HANDLE, Barrel, LD
9050	84006278	1	KIT-MOUNTING PLATE, CHUTE ROTATION -(Incl. Ref. No. 0030, 0040, 0060, 0070, 0100, 0110, 0150)
0030	-----	1	RING, SJ Mounting Plate, Plastic
0040	-----	1	PIN, Cotter, 2.2X25
0060	-----	1	WASHER, Flat, 10 X 20 X 2

Discharge Chute Group

Note: Unless noted otherwise, use the standard torque specifications

Mfg. No: 1697439-00



Discharge Chute Group

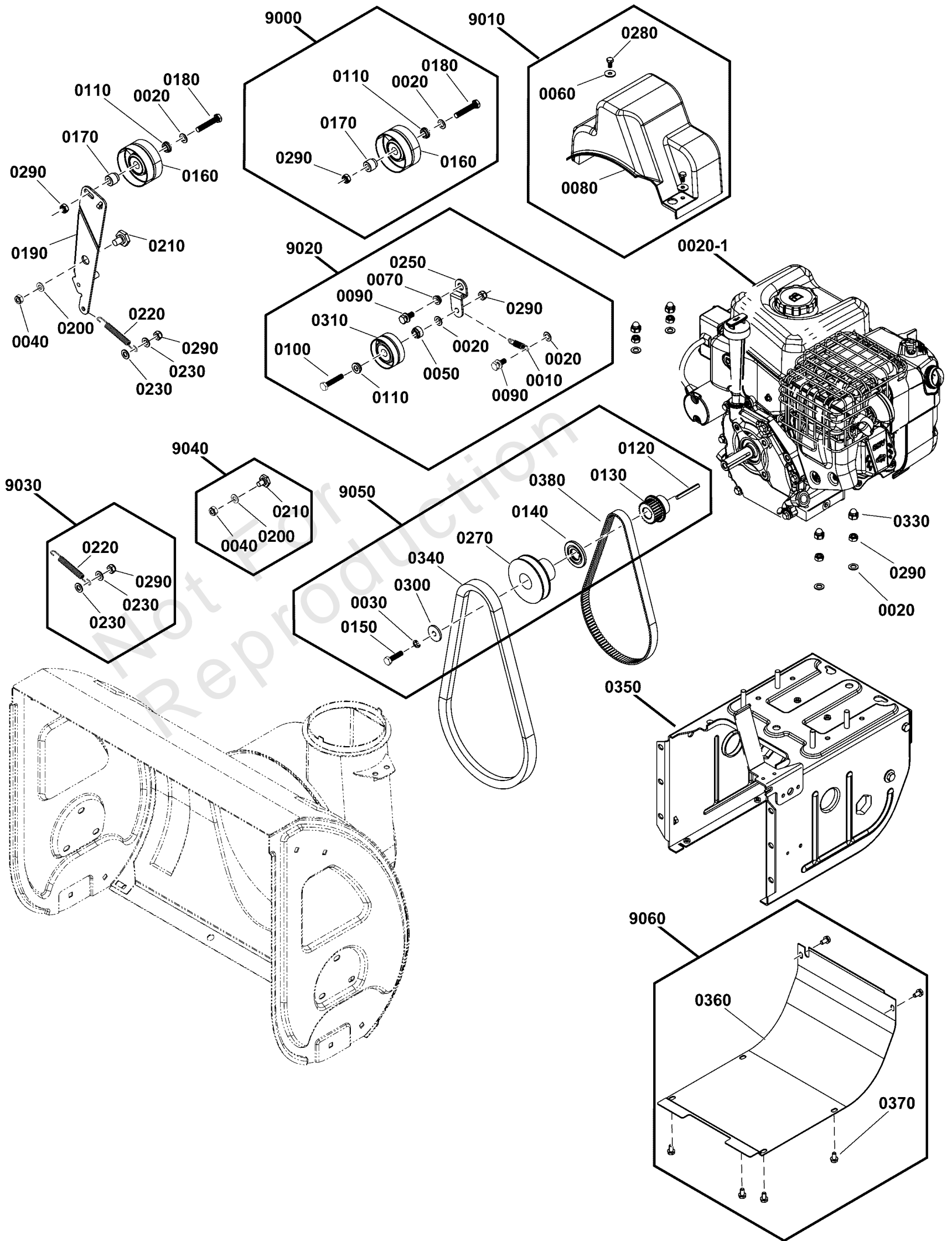
REF NO	PART NO	QTY	DESCRIPTION
0070	-----	2	BOLT, Carriage, M8 X 18
0100	-----	2	NUT, Lock, M8
0110	-----	2	WASHER, FLAT, 8X16X1.2
0150	-----	1	BRACKET, Chute Rod, LD

Not For Reproduction

Engine & Frame Group

Note: Unless noted otherwise, use the standard torque specifications

Mfg. No: 1697439-00



Engine & Frame Group

REF NO	PART NO	QTY	DESCRIPTION
0020-1	13A135-0023-F1	1	**ENGINE, 9.5 Gross HP Briggs & Stratton -(Engine Model: 13A135-0023-F1) (Refer to Note: *)
0020-1	13A137-0004-F1	1	**ENGINE, 9.5 Gross TP Briggs & Stratton -(Engine Model: 13A137-0004-F1) (Refer to Note: *)
0020	-----	4	WASHER, Flat, 8 X 16 X 1.2
0190	-----	1	IDLER, Auger
0290	-----	4	NUT, Lock, M8
0330	-----	4	Cap, Nut, M8
0350	-----	1	Frame Box
9000	770807	1	KIT, Idler Pulley, Tension Plate -(Incl. Ref. Nos. 0020, 0110, 0160, 0170, 0180, 0290)
0020	-----	1	WASHER, Flat, 8 X 16 X 1.2
0110	-----	1	SPACER, Idler Pulley
0160	-----	1	PULLEY, Idler
0170	-----	1	SPACER, Sleeve, Idler Pulley
0180	-----	1	SCREW, Hex Head, M8 X 45
0290	-----	1	NUT, Lock, M8
9010	84003838	1	KIT, Belt Cover -(Incl. Ref. Nos. 0060, 0080, 0280)
0060	-----	2	WASHER, 6 X 18 X 1.5, Flat
0080	-----	1	COVER, Belt
0280	-----	2	SCREW, Hex Head, M6 X 12
9020	770795	1	KIT, Idler Pulley, Traction Drive -(Incl. Ref. Nos. 0010, 0020, 0050, 0070, 0090, 0100, 0110, 0250, 0290, 0310)
0010	-----	1	SPRING, Idler
0020	-----	2	WASHER, Flat, 8 X 16 X 1.2
0050	-----	1	SPACER, Idler Pulley
0070	-----	1	SPACER, Idler Plate, Small
0090	-----	2	SCREW, Hex Flange Head, M8 X 20
0100	-----	1	SCREW, Hex Head, M8 X 40
0110	-----	1	SPACER, Idler Pulley
0250	-----	1	BRACKET, Idler
0290	-----	1	NUT, Lock, M8
0310	-----	1	PULLEY, Idler
9030	84006295	1	KIT, Spring, Idler Pulley -(Incl. Ref. Nos. 0220, 0230, 0290)
0220	-----	1	SPRING, Idler
0230	-----	2	WASHER, FLAT, 8X16X1.2
0290	-----	1	NUT, Lock, M8
9040	707565	1	KIT-HARDWARE, IDLER BRACKET -(Incl. Ref. Nos. 0040, 0200, 0210)
0040	-----	1	NUT, Lock, M10
0200	-----	1	WASHER, Flat, 10 X 20 X 2
0210	-----	1	SCREW, Hex Head, M10 X 13
9050	84006291	1	KIT, ENGINE PULLEY -(Incl. Ref. Nos. 0030, 0120, 0130, 0140, 0150, 0270, 0300, 0340, 0380)
0030	-----	1	WASHER, Lock, M8
0120	84004762	1	KEY, Flat, 5 X 4.7 X 50
0130	-----	1	PULLEY, Drive
0140	-----	1	SPACER, Belt Wheel
0150	-----	1	SCREW, Hex Head, M8 X 30

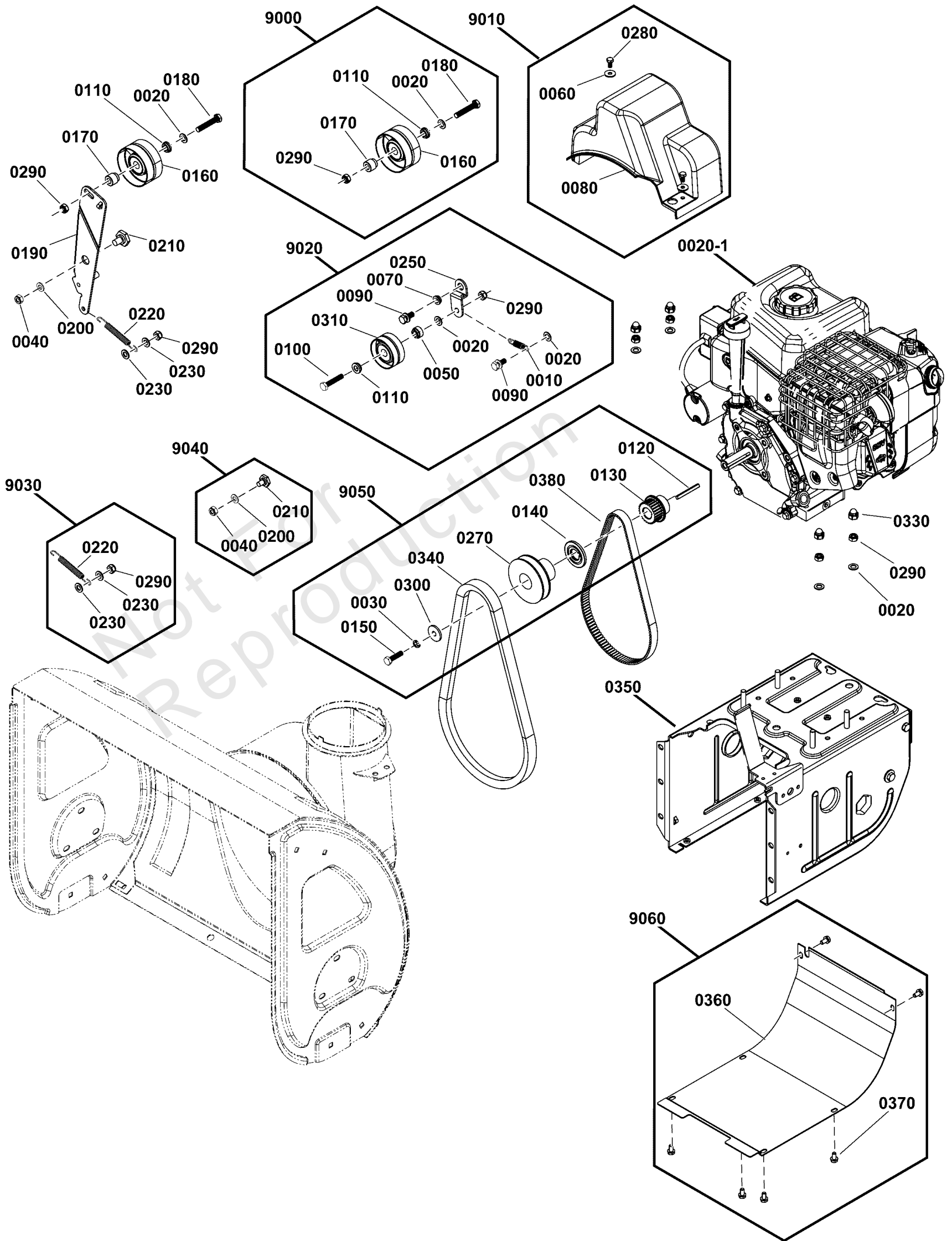
Footnotes:

Note:* Refer to your local Briggs & Stratton distributor for parts and service.

Engine & Frame Group

Note: Unless noted otherwise, use the standard torque specifications

Mfg. No: 1697439-00



Engine & Frame Group

REF NO	PART NO	QTY	DESCRIPTION
0270	-----	1	PULLEY, Auger
0300	-----	1	WASHER, Flat, 8 X 28 X 3
0340	707584	1	BELT, Auger Drive
0380	707585	1	BELT, Traction Drive
9060	707542	1	KIT, Bottom Cover -(Incl. Ref. Nos. 0360, 0370)
0360	-----	1	COVER, Motor Box, Lower
0370	-----	6	SCREW, Hex Head W/ Flat Washer, M6 X 12

Not For
Reproduction

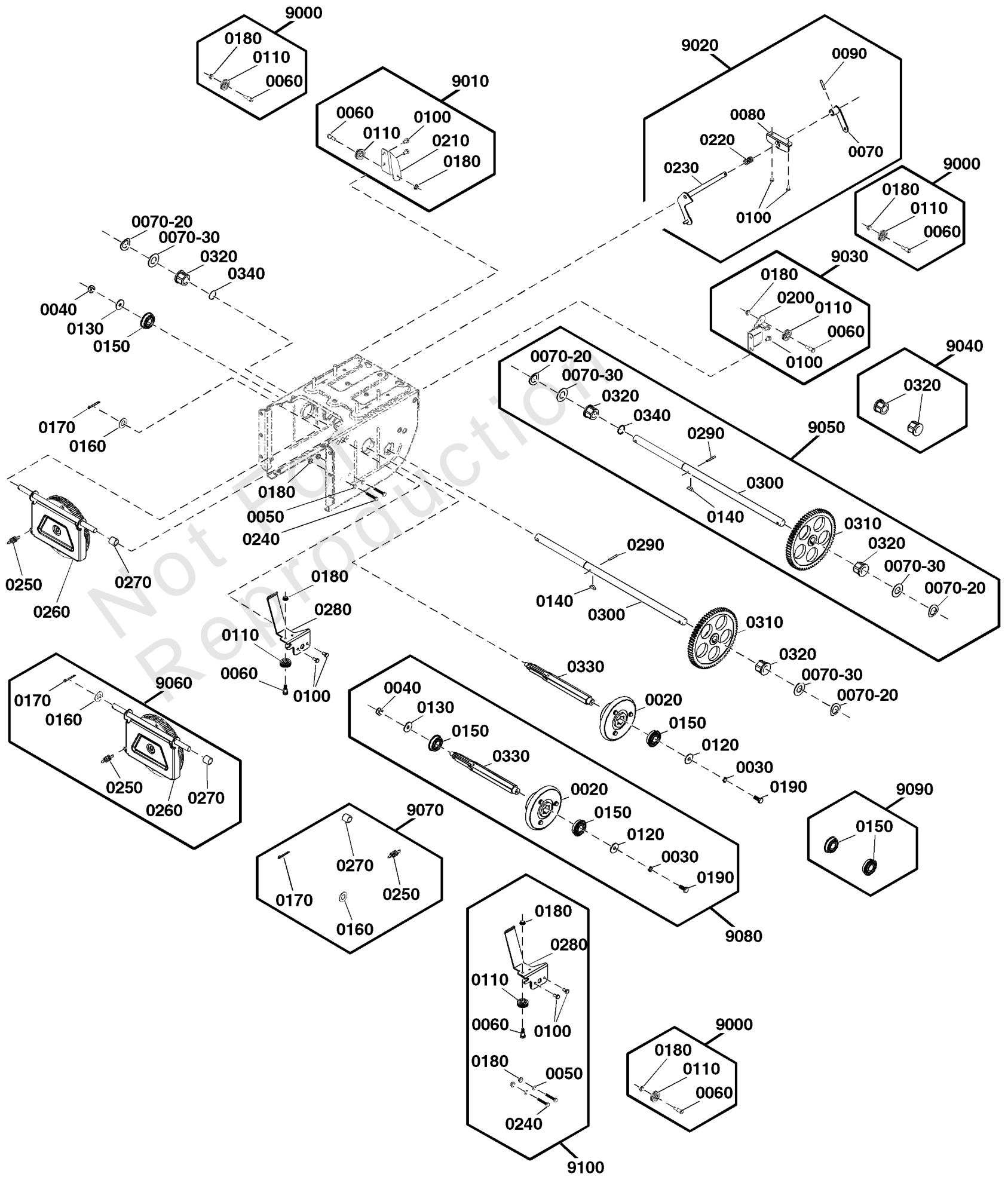
Footnotes:

Note:* Refer to your local Briggs & Stratton distributor for parts and service.

Traction Drive Group

Note: Unless noted otherwise, use the standard torque specifications

Mfg. No: 1697439-00



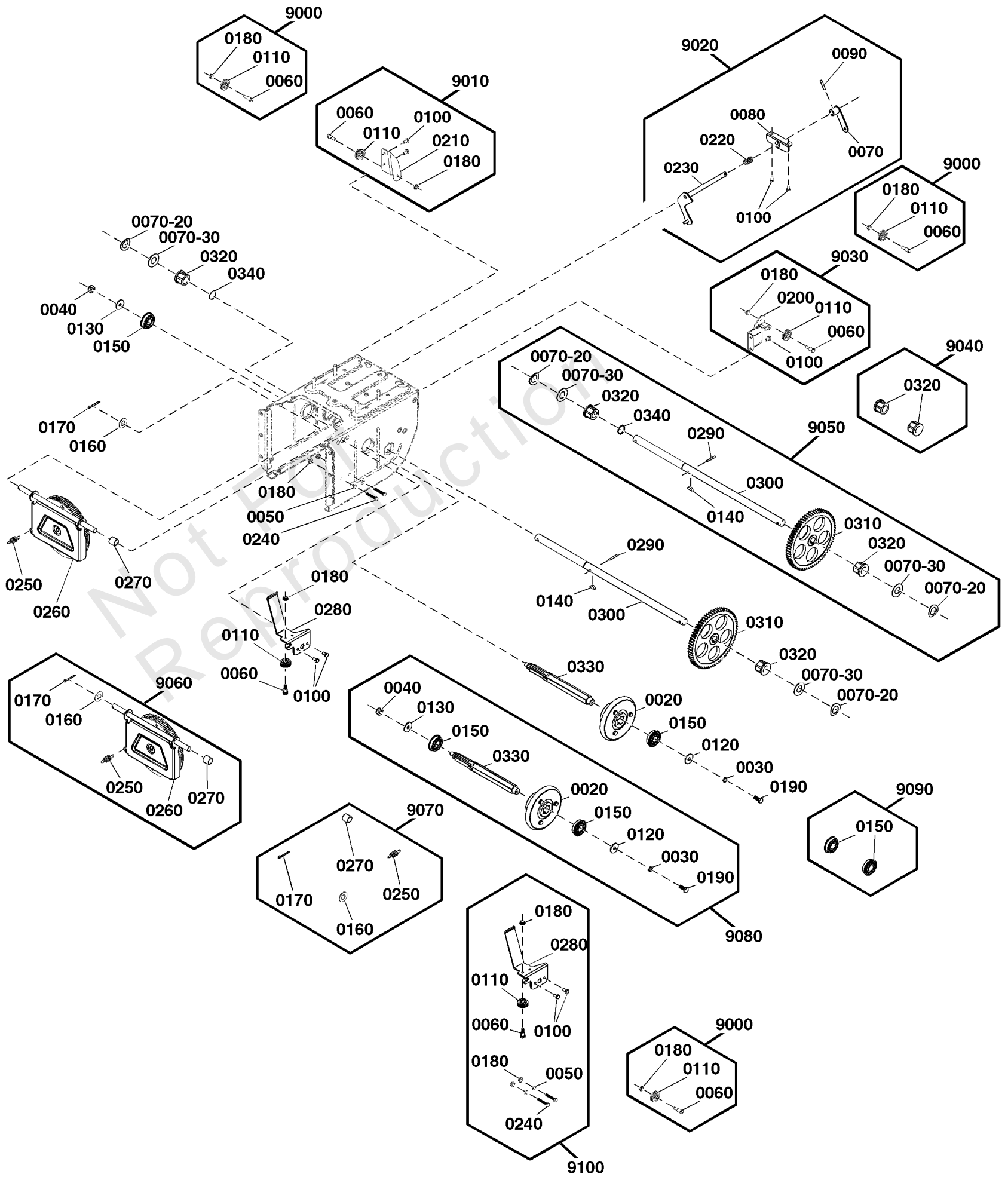
Traction Drive Group

REF NO	PART NO	QTY	DESCRIPTION
9000	707541	3	KIT, Pulley, Cable -(Incl. Ref. Nos. 0060, 0110, 0180)
0060	-----	1	SCREW, M6 X 12, Hex Head Shoulder
0110	-----	1	PULLEY, Cable
0180	-----	1	NUT, HEX FLANGE HEAD, M6
9010	707529	1	KIT, Cable Base, Traction Drive -(Incl. Ref. Nos. 0060, 0100, 0110, 0180, 0210)
0060	-----	1	SCREW, M6 X 12, Hex Head Shoulder
0100	-----	2	SCREW, Hex Head W/ Flat Washer, M6 X 12
0110	-----	1	PULLEY, Cable
0180	-----	1	NUT, HEX FLANGE HEAD, M6
0210	-----	1	BRACKET, Cable Guide, Traction Control
9020	707527	1	KIT, Shift Rod -(Incl. Ref. Nos. 0070, 0080, 0090, 0100, 0220, 0230)
0070	-----	1	ARM, Speed Select
0080	-----	1	BRACKET, Speed Select
0090	-----	1	PIN, Spring, 6 X 30
0100	-----	2	SCREW, Hex Head W/ Flat Washer, M6 X 12
0220	-----	1	SPRING, Compression
0230	-----	1	ROD, Speed Select, Fork
9030	707528	1	KIT, Cable Base, Auger Drive -(Incl. Ref. Nos. 0060, 0100, 0110, 0180, 0200)
0060	-----	1	SCREW, M6 X 12, Hex Head Shoulder
0100	-----	2	SCREW, Hex Head W/ Flat Washer, M6 X 12
0110	-----	1	PULLEY, Cable
0180	-----	1	NUT, HEX FLANGE HEAD, M6
0200	-----	1	BRACKET, Cable Guide, Auger Control
9040	707532	1	KIT, AXLE SLEEVE -(Incl. Ref. No. 0320)
0320	-----	2	SLEEVE, Axle
9050	770078	1	KIT, Axle & Sprocket -(Incl. Ref. Nos. 0070-20, 0070-30, 0140, 0290, 0300, 0310, 0320, 0340)
0070-20	-----	2	WASHER, Wave, 20
0070-30	-----	2	WASHER, Flat
0140	-----	1	KEY, WOODRUFF
0290	-----	1	PIN, Spring, 4 X 30
0300	-----	1	AXLE
0310	-----	1	GEAR, Drive
0320	-----	2	SLEEVE, Axle
0340	-----	1	RING, External Retaining
9060	84006347	1	KIT, SWINGING PLATE -(Incl. Ref. Nos. 0160, 0170, 0250, 0260, 0270)
0160	-----	1	WASHER, Flat, 13 X 24 X 2
0170	-----	1	PIN, Cotter, 2.5 X 30
0250	-----	1	SPRING, Extension
0260	-----	1	ASSEMBLY, Friction Swing Plate
0270	-----	1	SLEEVE, Spacer
9070	707538	1	KIT, SPRING, SWINGING PLATE -(Incl. Ref. Nos. 0160, 0170, 0250, 0270)
0160	-----	1	WASHER, Flat, 13 X 24 X 2
0170	-----	1	PIN, Cotter, 2.5 X 30
0250	-----	1	SPRING, Extension
0270	-----	1	SLEEVE, Spacer

Traction Drive Group

Note: Unless noted otherwise, use the standard torque specifications

Mfg. No: 1697439-00



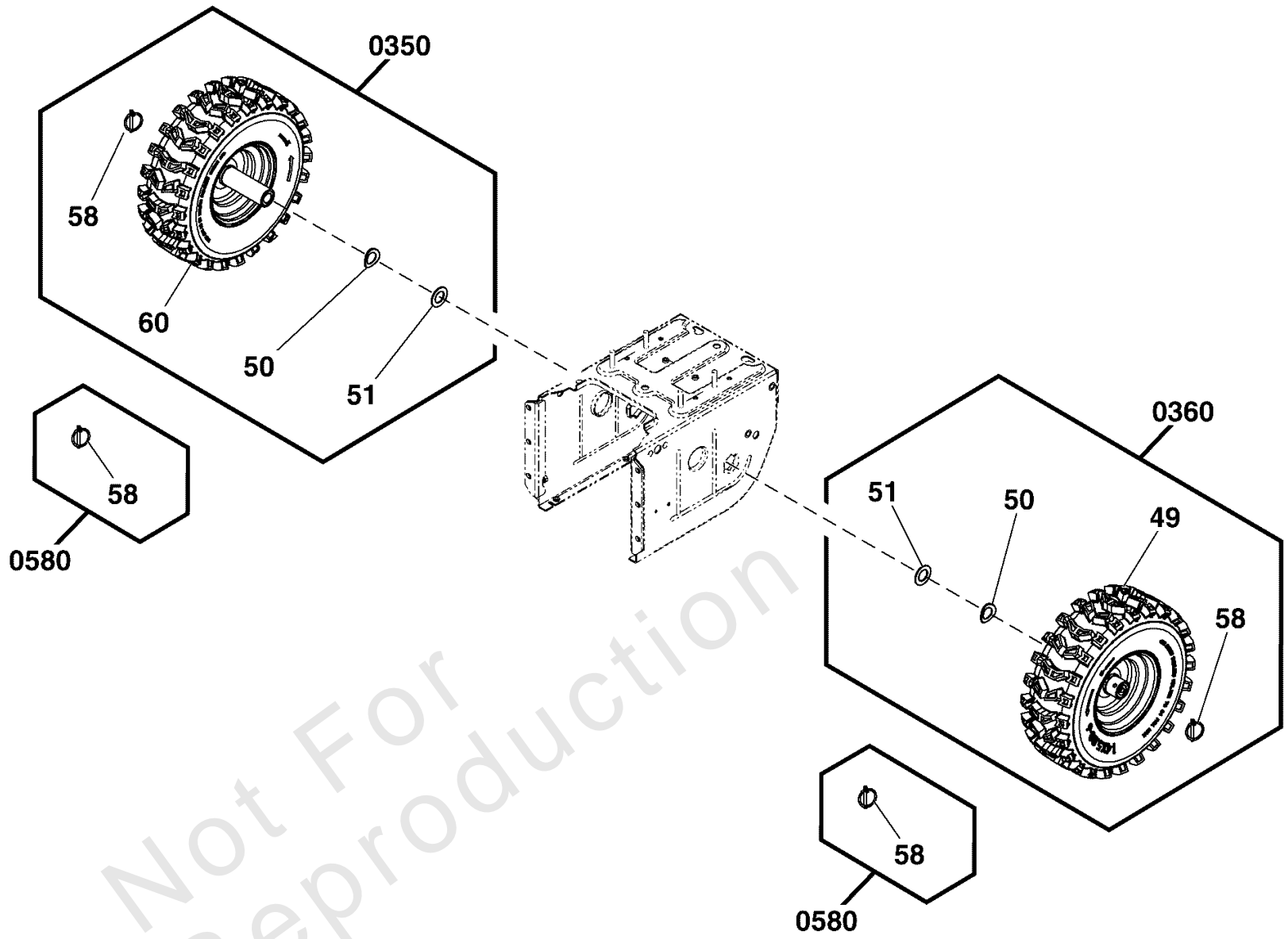
Traction Drive Group

REF NO	PART NO	QTY	DESCRIPTION
9080	84006348	1	KIT, Friction Wheel & Shaft -(Incl. Ref. Nos. 0020, 0030, 0040, 0120, 0130, 0150, 0190, 0330)
0020	-----	1	FRICITION WHEEL ASSEMBLY
0030	-----	1	WASHER, Lock, M8
0040	-----	1	NUT, Lock, M10
0120	-----	1	WASHER, Flat, 8 X 28 X 2
0130	-----	1	WASHER, Flat, 10 X 28 X 2
0150	-----	2	BEARING, Ball
0190	-----	1	SCREW, Hex Head, M8X20
0330	-----	1	SHAFT, Hex
9090	707536	1	KIT, Bearing, Friction Wheel & Shaft -(Incl. Ref. No. 0150)
0150	-----	2	BEARING, Ball
9100	707815	1	KIT, BRACKET, SWINGING PLATE -(Incl. Ref. Nos. 0050, 0060, 0100, 0110, 0180, 0240, 0280)
0050	-----	2	WASHER, 6x12x.7, Flat
0060	-----	1	SCREW, M6 X 12, Hex Head Shoulder
0100	-----	2	SCREW, Hex Head W/ Flat Washer, M6 X 12
0110	-----	1	PULLEY, Cable
0180	-----	3	NUT, HEX FLANGE HEAD, M6
0240	-----	2	SCREW, Hex Head, M6 X 35
0280	-----	1	BRACKET, Cable Guide

Wheels & Tires Group

Note: Unless noted otherwise, use the standard torque specifications

Mfg. No: 1697439-00



Wheels & Tires Group

REF NO	PART NO	QTY	DESCRIPTION
0350	707842	1	KIT, Wheel & Tire, Right, Snow Silver -(Incl. Ref. Nos. 49, 50, 51, 58)
50	-----	1	WASHER, Wave, 20
51	-----	1	WASHER, Flat
58	-----	1	PIN, Klik
60	-----	1	WHEEL ASSEMBLY, 13 X 5, Right
0360	707844	1	KIT, Wheel & Tire, Left, Snow Silver -(Incl. Ref. Nos. 50, 51, 58, 60)
49	-----	1	WHEEL ASSEMBLY, 13 X 5, Left
50	-----	1	WASHER, Wave, 20
51	-----	1	WASHER, Flat
58	-----	1	PIN, Klik
0580	84003816	2	KIT, Klik Pin -(Incl. Ref. Nos. 58)
58	-----	1	PIN, Klik

Not For Reproduction

