



SERVICE PARTS LIST

BUL. 54-12-1040

1/2" ELECTRIC DRILL

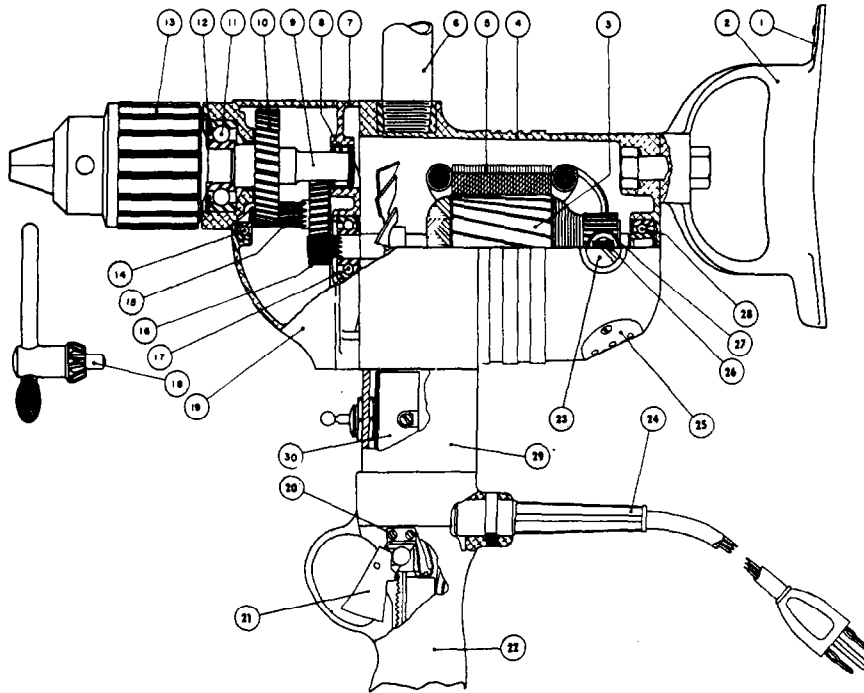
REVISED BUL 6131-1 DATE FEB. '68

MODEL NO. C-122R

Starting Serial No. 131-1001

WIRING INSTR.

Both Model and Serial No. must be furnished to obtain correct parts.



ILLUSTRATED PARTS

FIG.	PART NO.	DESCRIPTION OF PART	PRICE	FIG.	PART NO.	DESCRIPTION OF PART	PRICE
1	88D1-6	Spade Handle Key Clip		16	2C-14	Intermediate Gear	
2	88D1-3A	Spade Handle		17	WC8501	Ball Bearing	
3	12C-600R	Armature Assembly 16-82-1251		18	3CK	Chuck Key	
4	23D-1	Motor Housing		19	2D-3	Gear Case	
5	56V-700	Field Assembly 18-82-110		20	88D-23A	Switch Bracket	
6	88D-43	Pipe Handle		21	CH8636K1	Switch 22-66-0170	
7	2D-2	Diaphragm		22	88D1-1B	Switch Handle	
8	MH-1081	Needle Bearing		23	88D-400	Brush Retaining Screw Assembly	
9	1C-8R	Spindle		24	16G-10SR2	Cord Set 22-64-0080	
10	7CK-11A	Spindle Gear		25	23D-41	Air Intake Cover Plate	
11	8504	Ball Bearing		26	88D-370	Carbon Brush Assembly (2)	
12	RR-185	Spindle Ball Bearing Ret. Ring		27	88D-320	Brush Holder Assembly 22-18-0112	
13	34R	Chuck with #6 Taper		28	WC8500	Ball Bearing	
14	ND7039	Ball Bearing		29	88D1-4	Reverse Switch Housing	
15	5CK-13A	Intermediate Shaft		30	80638D	Reverse Switch 23-65-0340	

MISCELLANEOUS PARTS NOT SHOWN

SIZE OR PART NO.	DESCRIPTION OF PART	PRICE	SIZE OR PART NO.	DESCRIPTION OF PART	PRICE
MH681	Needle Bearing		1/4-20x1 3/4 Fil. Hd.	Gear Case Screws (2)	
C-122R	Name Plate		8-32x2 1/2 Rd. Hd.	Field Screws (2)	
1/2-13x1 1/2 Hex. Hd.	Spade Handle Bolt		1/4-20x3 3/4 Fil. Hd.	Switch Handle Screws (4)	
1/2-13	Spade Handle Jam Nut		1/4-20x1 1/2 Hd'less	Brush Holder Set Screws (2)	
#4x5/16 Driv-In	Spade Handle Key Clip Screw		#8	Kantlink Lock Washer (2)	
6-32x1/4 Rd. Hd.	Switch Mounting Screws (2)		#14	Kantlink Lock Washer (10)	
6-32x1/4 Fil. Hd.	Switch Bracket Screws (2)		#2	Woodruff Keys	
4x5/16 Driv-In	Name Plate Screws (2)		#3	Woodruff Keys (2)	
6x1/4 P.K.	Air Intake Plate Screws (2)		14DS1-1	Cord Retaining Screw (2)	
1/4-20x1 Fil. Hd.	Gear Case Screws (2)		88R1-4	Fiber Insulation (2)	
1/4-20x1 Flat Hd.	Internal Socket Sc. (1)				