



SERVICE PARTS LIST

BUL. 54-12-2030

5/8" ELECTRIC DRILL

REVISED BUL
6130-1

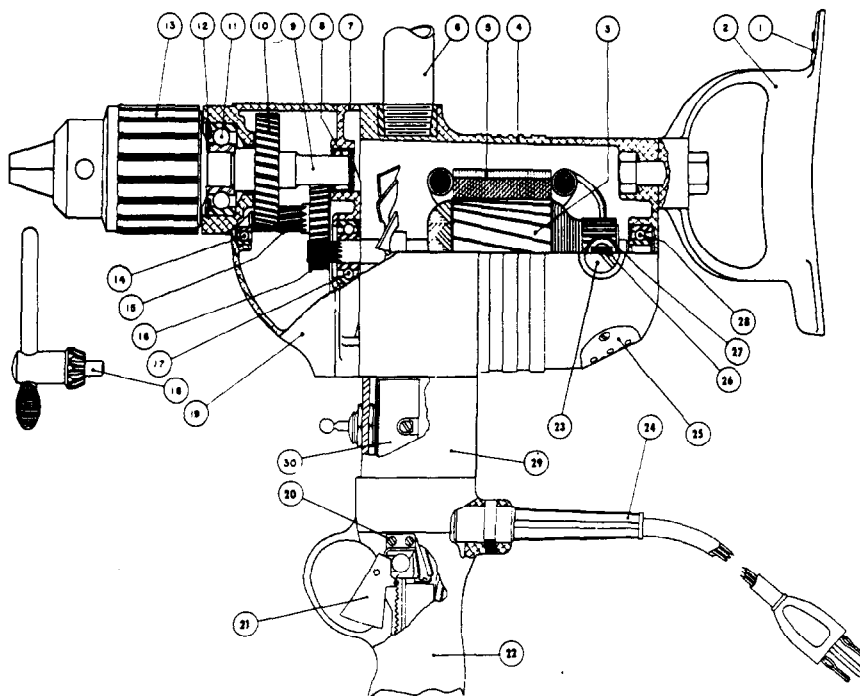
DATE
FEB. '68

MODEL NO. D-582R

Starting
Serial No. 130-1001

WIRING INSTR.

Both Model and Serial No. must be furnished to obtain correct parts.



ILLUSTRATED PARTS

FIG.	PART NO.	DESCRIPTION OF PART	PRICE	FIG.	PART NO.	DESCRIPTION OF PART	PRICE
1	88D1-6	Spade Handle Key Clip		16	89D-14	Intermediate Gear	
2	88D1-3A	Spade Handle		17	WC8011	Ball Bearing	
3	58D-600CR	Armature Assembly		18	3CK	Chuck Key	
4	23D-1	Motor Housing		19	2D-3	Gear Case	
5	56V-700	Field Assembly		20	88D-23	Switch Bracket	
6	88D-43	Pipe Handle		21	CH8636K1	Switch	
7	2D-2	Diaphragm		22	88D1-1B	Switch Handle	
8	MH-1081	Needle Bearing		23	88D-400	Brush Retaining Screw Assembly	
9	5CK-8AR	Spindle		24	16G-10SR2	Cord Set	
10	7CK-11A	Spindle Gear		25	23D-41	Air Intake Cover Plate	
11	8504	Ball Bearing		26	88D-370	Carbon Brush Assembly	(2)
12	RR-185	Ball Bearing Retaining Ring		27	88D-320	Brush Holder Assembly	
13	3AR	Chuck (with #3 Taper)		28	WC8500	Ball Bearing	
14	ND7039	Ball Bearing		29	88D1-4	Reverse Switch Housing	
15	5CK-13A	Intermediate Shaft		30	80638D	Reverse Switch	

MISCELLANEOUS PARTS NOT SHOWN

SIZE OR PART NO.	DESCRIPTION OF PART	PRICE	SIZE OR PART NO.	DESCRIPTION OF PART	PRICE
MH681	Needle Bearing		1/4-20x1 1/2 Fil. Hd.	Gear Case Screws	(2)
D-582R	Name Plate		8-32x2 1/2 Rd. Hd.	Field Screws	(2)
1/2-13x1 1/2 Hex. Hd.	Spade Handle Bolt		1/4-20x3 3/4 Fil. Hd.	Switch Handle Screws	(4)
1/2-13	Spade Handle Jam Nut		1/4-20x1 1/2 Hd'less	Brush Holder Set Screws	(2)
#4x5/16 Driv-In	Spade Handle Key Clip Screw		#8	Kantlink Lock Washer	(2)
6-32x1/4 Rd. Hd.	Switch Mounting Screws	(2)	#14	Kantlink Lock Washer	(10)
6-32x1/4 Fil. Hd.	Switch Bracket Screws	(2)	#2	Woodruff Keys	(2)
#4x5/16 Driv-In	Name Plate Screws	(2)	#3	Woodruff Keys	(2)
#6x1/4 P.K.	Air Intake Plate Screws	(2)	14DS1-1	Cord Retaining Screw	(2)
5/16-18x1 Flat Hd.	Internal Socket Screw	(1)	88RT-4	Fiber Insulation	(2)

Numbers in brackets indicate number required.

Prices are subject to change without notice.