



SERVICE PARTS LIST

BULLETIN NO.
54-12-1201

SPECIFY CATALOG NO. AND SERIAL NO. WHEN ORDERING PARTS		REVISED BULLETIN 54-12-1200	DATE May '83
5/8" ELECTRIC DRILL			
CATALOG NO. 1754-1	STARTING SERIAL NO. 566-2501	WIRING INSTRUCTION 58-01-0566	
CAT. NO.	START SER. NO.	BILINGUAL LABEL	

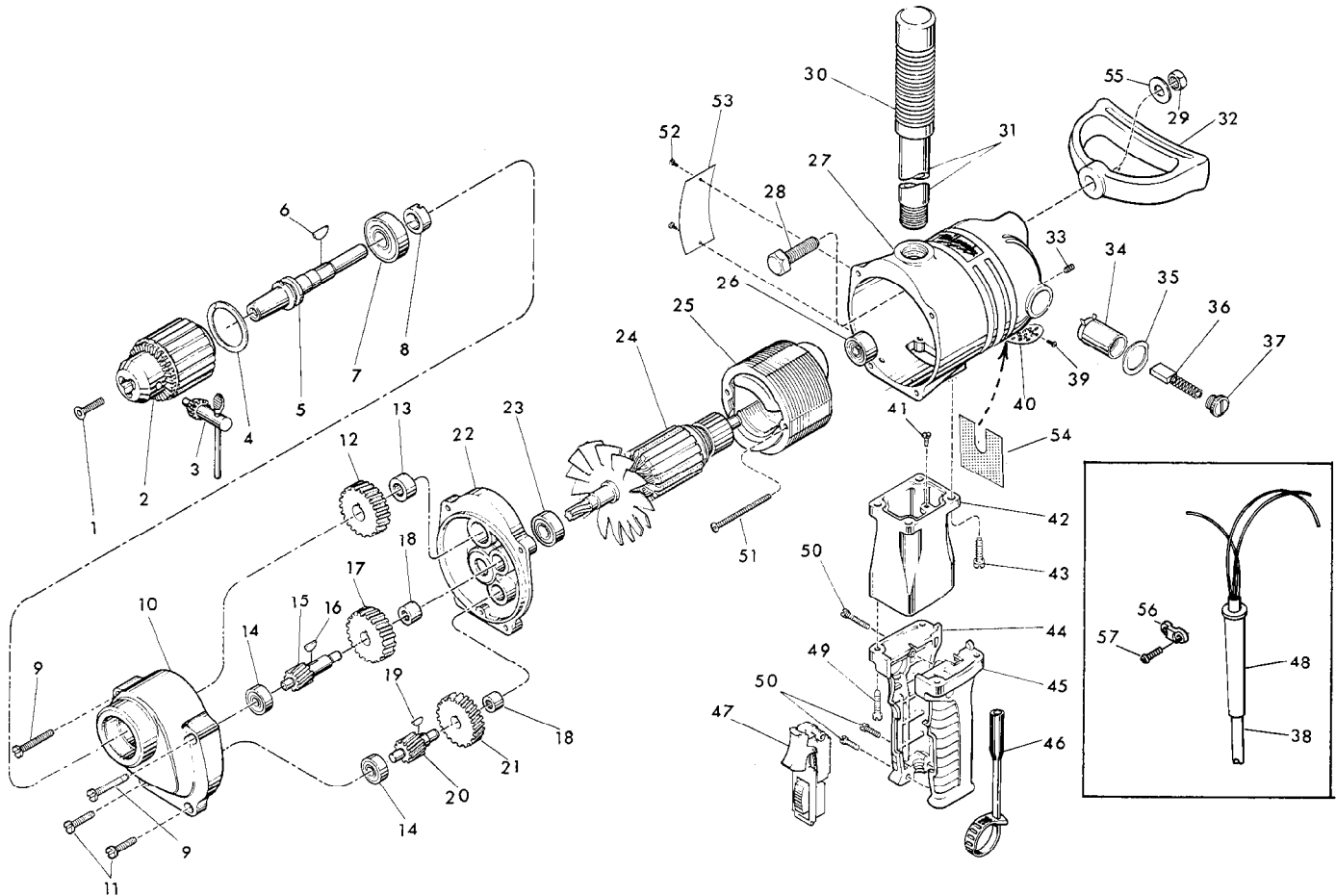


FIG.	PART NO.	DESCRIPTION OF PART	NO. REQ.	FIG.	PART NO.	DESCRIPTION OF PART	NO. REQ.
1	06-81-3100	5/16-18x1 Skt. Hd. Screw	(1)	31	43-62-0120	Pipe Handle	(1)
2	48-66-1680	5/8" Rev. Chuck (Includes Fig. No. 3)	(1)	32	31-44-1050	Spade Handle	(1)
3	48-66-3120	Chuck Key	(1)	33	06-83-2650	1/4-20x3/8 Knrl. Set Screw	(2)
4	34-80-3450	Retaining Ring	(1)	34	22-22-1015	Brush Holder	(2)
5	38-50-3471	Reversing Spindle	(1)	35	23-86-0060	Insulating Washer	(2)
6	06-42-2400	Woodruff Key	(1)	36	22-18-0055	Carbon Brush	(2)
7	02-04-2050	Ball Bearing	(1)	37	23-44-0030	Brush Retaining Screw	(2)
8	45-36-0200	Spacer for Tapered Spindle	(1)	★ 38	22-64-0121	Cord Set	(1)
9	06-81-7950	1/4-20x1-3/4 Fil. Hd. Sem	(2)	39	06-81-8650	6-32x1/4 Rd. Hd. Sem	(2)
10	28-14-0401	Gear Case	(1)	40	44-66-0180	Cover Plate	(1)
11	06-81-7850	1/4-20x1 Fil. Hd. Sem	(2)	41	06-81-8625	6-32x1/4 Ground Screw	(1)
12	32-75-1001	Spindle Gear	(1)	42	28-86-1601	Spacer	(1)
13	02-50-4040	Needle Bearing	(1)	43	06-81-7800	1/4-20x3/4 Fil. Hd. Sem	(4)
14	02-04-0910	Ball Bearing	(2)	★ 44	31-44-1290	Right Handle Half	(1)
15	36-66-0501	Intermediate Shaft	(1)	★ 45	31-44-1295	Left Handle Half	(1)
16	06-42-1600	Woodruff Key	(1)	46	48-66-4020	Key Holder	(1)
17	32-44-1221	Intermediate Gear	(1)	47	23-66-0581	Reversing Switch	(1)
18	02-50-2450	Needle Bearing	(2)	★ 48	44-76-0150	Cord Protector	(1)
19	06-42-1200	Woodruff Key	(1)	49	06-81-7550	12-24x3/4 Fil. Hd. Sem	(4)
20	36-66-3001	Intermediate Shaft	(1)	★ 50	06-95-0219	8-16 x 7/8" Plastite Screw	(3)
21	32-40-1001	Intermediate Gear	(1)	51	06-81-9190	10-24x2-1/4 Rd. Hd. Sem	(2)
22	28-28-0102	Diaphragm (Includes 06-65-1206 Pin)	(1)	52	06-85-0200	Nameplate Screw	(2)
23	02-04-1260	Ball Bearing	(1)	53	12-99-0040	Nameplate Blank	(1)
24	16-70-0090	120 Volt Armature	(1)	54	23-16-0830	Arc Insulator	(1)
25	18-70-0070	120 Volt Field	(1)	55	45-88-0310	Flat Washer	(1)
26	02-04-1070	Ball Bearing	(1)	★ 56	31-17-0156	Cord Clamp	(1)
27	28-50-4161	Motor Housing (Includes 45-30-0110 BB Rtngr. Slug & Fig. Nos. 28 & 29)	(1)	★ 57	06-95-0216	8-16 x 5/8" Plastite Screw	(2)
28	06-75-0850	1/2-13x1-1/2 Hex. Hd. Screw	(1)	58	12-98-7081	Caution Plate (Not Shown)	(1)
29	06-55-2850	1/2-13 Hex Nut	(1)				
30	43-62-0242	Handle Grip	(1)				