

POWERMATIC®

Operating Instructions and Parts Manual 10" Contractor's Tablesaw

Model 64A



Model 1791228K shown (50" rails, wood extension table and legs)



WMH TOOL GROUP, Inc.

2420 Vantage Drive
Elgin, Illinois 60124
Ph.: 800-274-6848
www.powermatic.com

Part No. M-0460250

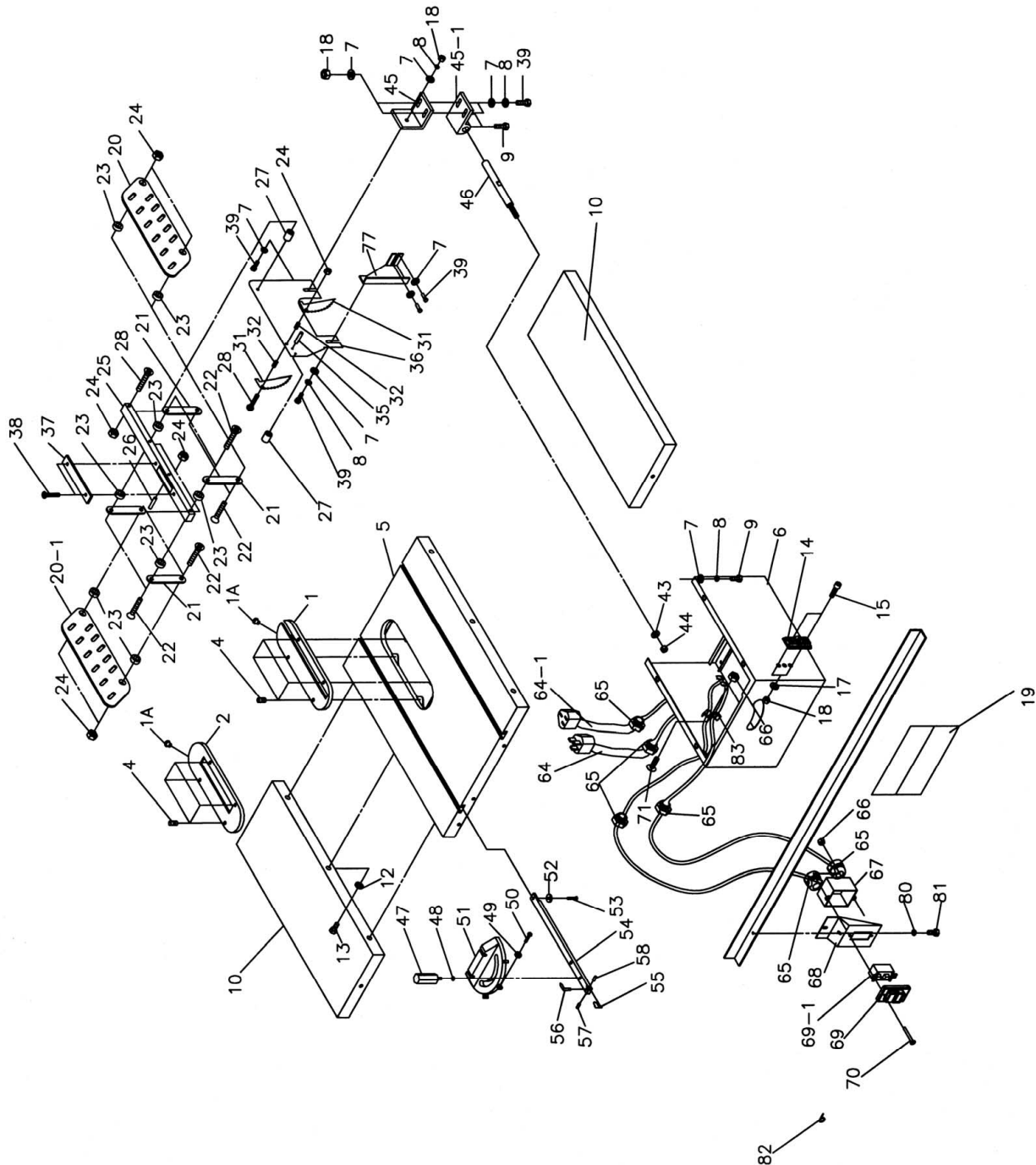
Revision H 3/08

Copyright © 2008 WMH Tool Group, Inc.

Parts List: Table Saw, Extension Wings and Guard

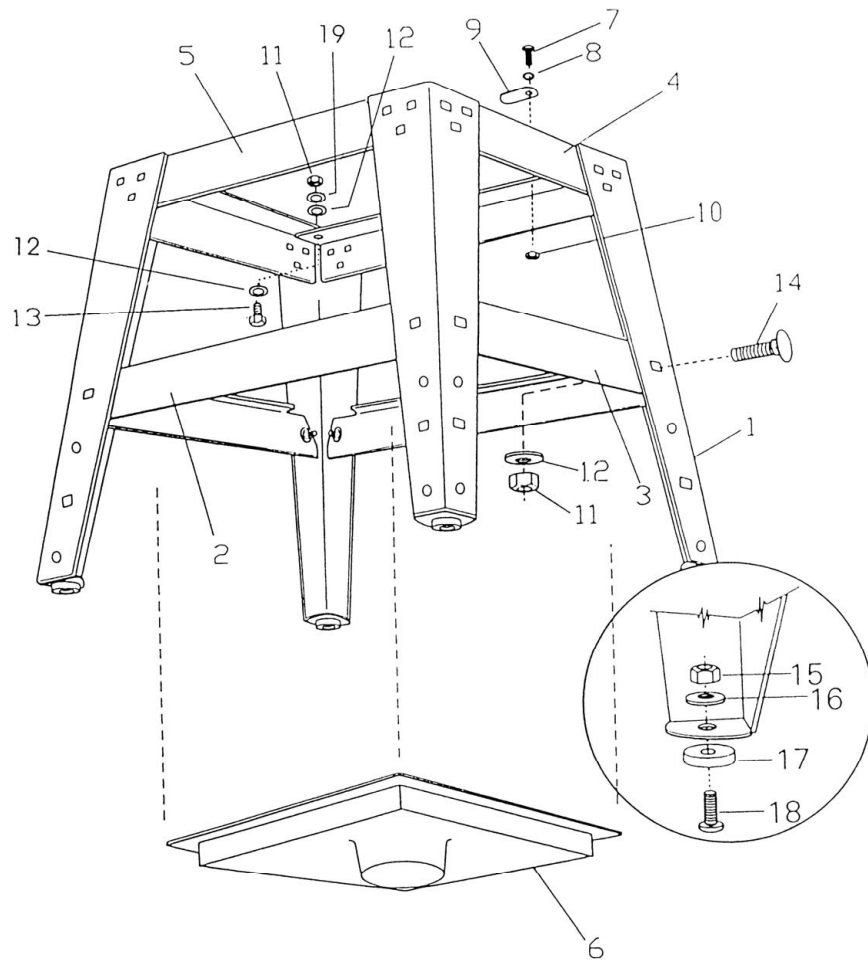
Index No.	Part No.	Description	Size	Qty
1	6290694	Table Insert		1
1-A	6291342	Rubber spacer		2
2	6290695	Dado Insert		1
4	6290502	Socket Set Screw	1/4-20 x 5/16	8
5	6290696	Table		1
6	6290697	Cabinet		1
7	6290505	Flat Washer	5/16	15
8	6290506	Spring Washer	5/16	9
9	6290507	Hex Head Screw	5/16-18 x 5/8	6
10	6290698	Extension Wing		2
12	6290511	Spring Washer	7/16	6
13	6290512	Hex Head Screw	7/16-14 x 1-1/4	6
14	6290513	Bracket		1
15	6290514	Hex Socket Cap Screw	5/16-18 x 3/4	2
17	6290515	Flat Washer	5/16 x 23mm	2
18	6290516	Hex Nut	5/16-18	6
19	6290699	Scale		1
	6291339	Guard Assembly		1
20	6290517	Blade Guard (R)		1
20-1	6290669	Blade Guard (L)		1
21	6290518	Pivot Arm		4
22	6290519	Flat Head Screw	1/4-20 x 5/8	8
23	6290520	Flat Washer	1/4 x 23mm	8
24	6290521	Nylon Nut	1/4- 20	10
25	6290522	Support Arm		1
26	6290523	Spring Pin	3.5 x 20mm	1
27	6290524	Bushing		2
28	6714056	Flat Head Screw	1/4-20 x 1	2
31	6290529	Anti-Kickback Pawl		2
32	6290530	Spring		2
35	6290533	Spring Pin	5 x 40mm	1
36	6290673	Splitter		1
37	6290535	Plate		1
38	6291371	Flat Head Screw	1/4-20 x 1/4	2
39	6290620	Hex Head Screw	5/16-18 x 1	6
43	6291328	Flat Washer	1/2	1
44	6291329	Nut	1/2-12	1
45	6291372	Upper Blade Guard Bracket		1
45-1	6291330	Lower Blade Guard Bracket		1
46	6291337	Shaft		1
	6290550	Mitre Gauge Assembly (Items 47-58)		1
47	6290547	Mitre Gauge Handle		1
48	6291546	Fiber Washer		1
49	6290548	Hex Head Nut	5/32-32	3
50	6290549	Pan Head Screw	5/32-32 x 5/8	3
51	6290671	Mitre Gauge Head		1
52	6290551	Guide Washer		1
53	6290552	Flat Head Screw	1/4-20 x 5/32	1
54	6290553	Bar		1
55	6290554	Stop Link		1
56	6290555	Pointer		1
57	6290556	Socket Set Screw	1/4-20 x 1/4	1
58	6290557	Spring Pin	3 x 6.5mm	1
	6291377	Switch Assembly (Items 66 thru 70 & 82)		1
64	6290629	Power Cord		1
64-1	6291373	Power Cord (Junction to Switch)		1
65	6290630	Clamp	7W2	6

66	6291335	Nut	3/16-24	2
67	6291366	Switch Box		1
68	6291367	Switch Bracket		1
69	6291368	Switch		1
70	6291338	Pan Head Screw	3/16-24 x 1-1/2	2
71	6291375	Pan Head Screw	3/16-24 x 5/8	1
77	6290672	Splitter Mounting Plate		1
80	6291344	Spring Washer		1
81	6291345	Hex Head Screw	1/4-20 x 3/4	1
82	6291359	Safety Key		1
83	6291376	Cord Clip		1
	6291336	Hardware Kit (Not shown)		1



Parts List: Stand Assembly

Index No.	Part No.	Description	Size	Qty
1	6290646	Leg		4
2	6290650	Bottom Long Bracket		2
3	6290648	Bottom Short Bracket		2
4	6290647	Top Short Bracket		2
5	6290649	Top Long Bracket		2
6	6290645	Dust Cover		1
7	6290664	Pan Head Screw	3/16-24 x 5/8	2
8	6290665	Star Washer	3/16	2
9	6290666	Plate		2
10	6290663	Hex Nut	3/16-24	2
11	6290652	Hex Nut	5/16-18	36
12	6290654	Flat Washer	5/16 x 18mm	40
13	6290655	Hex Head Screw	5/16-18 x 1	4
14	6290651	Carriage Bolt	5/16-18 x 5/8	32
15	6290640	Hex Nut	1/4-20	4
16	6290675	Flat Washer	1/4 x 16mm	4
17	6290676	Rubber Grommet		4
18	6290677	Pan Head Screw	1/4-20 x 1	4
19	6291358	Spring Washer	5/16	4



Parts List: Motor and Trunnion Assembly

Index No.	Part No.	Description	Size	Qty
1	6290563	Knob		2
2	6290565	Handle		2
3	6290566	Nut, Hex Hd	3/8-16	4
4	6290564	Handwheel		2
5	6290567	Flat Washer	3/8	3
6	6290678	Pointer		1
7	6290569	Set Screw	1/4-20 x 1/4	3
8	6290660	Spacer		2
11	6290574	Nut	9/16 -20UNF	1
12	6290573	Eccentric		1
13	6290576	Fiber Washer		1
14	6290572	Worm Gear		1
16	6290679	Bracket		1
17	6290578	Hex Head Screw	5/16-18 x1-1/4	2
18	6290580	Spring Washer	5/16	8
19	6290579	Flat Washer	5/16	14
20	6290581	Nut	5/16-18UNF	1
21	6291380	Bolt	3/8-16 x 2-3/4	1
26	6290588	Spring Pin	5 x 25mm	3
27	6290686	Angle Regulator		1
28	6291381	Hex Head Screw	5/16-18 x 1/2	1
29	6290590	Wave Washer	31x16	1
30	6290591	Eccentric Sleeve		1
31	6290592	Worm & Shaft		1
32	6290593	Pin	3.5 x 24mm	1
33	6290594	Fiber Washer	5/8	2
34	6290595	Collar		1
35	6290596	Pin		1
36	6290693	Nut, Special		1
37	6290598	Spindle Collar		1
39	6290681	Bracket		1
42	6291379	Arbor		1
43	6286706	Bearing	6203ZZ	2
44	6290604	Key	5 x 5 x 25	1
45	6290685	Retaining Ring		1
46	6290606	C-Snap Ring		1
47	6290607	Hex Nut	5/8-24UNF	1
48	6291370	Spindle Pulley		1
49	6290609	Set Screw	5/16-18 x 5/16	1
50	6290680	Rear Bracket		1
51	6290611	Rear Trunnion Bracket		1
54	6291382	Hex Head Screw	5/16-18 x 1	6
55	6290687	Motor Bracket		1
56	TS-0050031	Hex Cap Screw	1/4-20 x 3/4	1
57	6291383	Hex Head Screw	5/16-18 x 5/16	2
58	6290618	Pin		1
59	6290619	Motor Bracket		1
63	6290623	Hex Nut	5/16-18	4
64	6291369	Motor Pulley		1
65	6290625	Set Screw	1/4-20 x 1/4	1
66	6290688	Belt	3VX-470	1
67	6290627	Key	5 x 5 x 25	1
68	6290689	Motor		1
69	6290631	Electrical Cord (Junction to Motor)		1
70	6291384	Carriage Bolt	5/16-18 x 1-3/4	2
72	6291385	Pulley Cover Seat		1
73	6291386	Outer Cover		1

74	6291325	Fiber Washer	5/16	2
75	6285540	Wing Nut	5/16-18	2
76	6290642	Wrench	#23	1
77	6290643	Wrench	12-14	1
78	6290644	Hex Wrench	3mm	1
79	6291361	Hex Head Nut (L.H.Threads)	5/8-18 UNF	4
81	6290641	Screw	3/8-16 x 2	1
83	6291362	Link Bar, L.H. Threads		1
84	6291363	Link Bar, L.H. Threads		1
85	6290670	Bushing		2
86	6291378	E-Ring	ETW8	2

Motor and Trunnion Assembly

