

POWERMATIC®

Operating Instructions and Parts Manual 15-inch Woodworking Band Saw Model PM1500

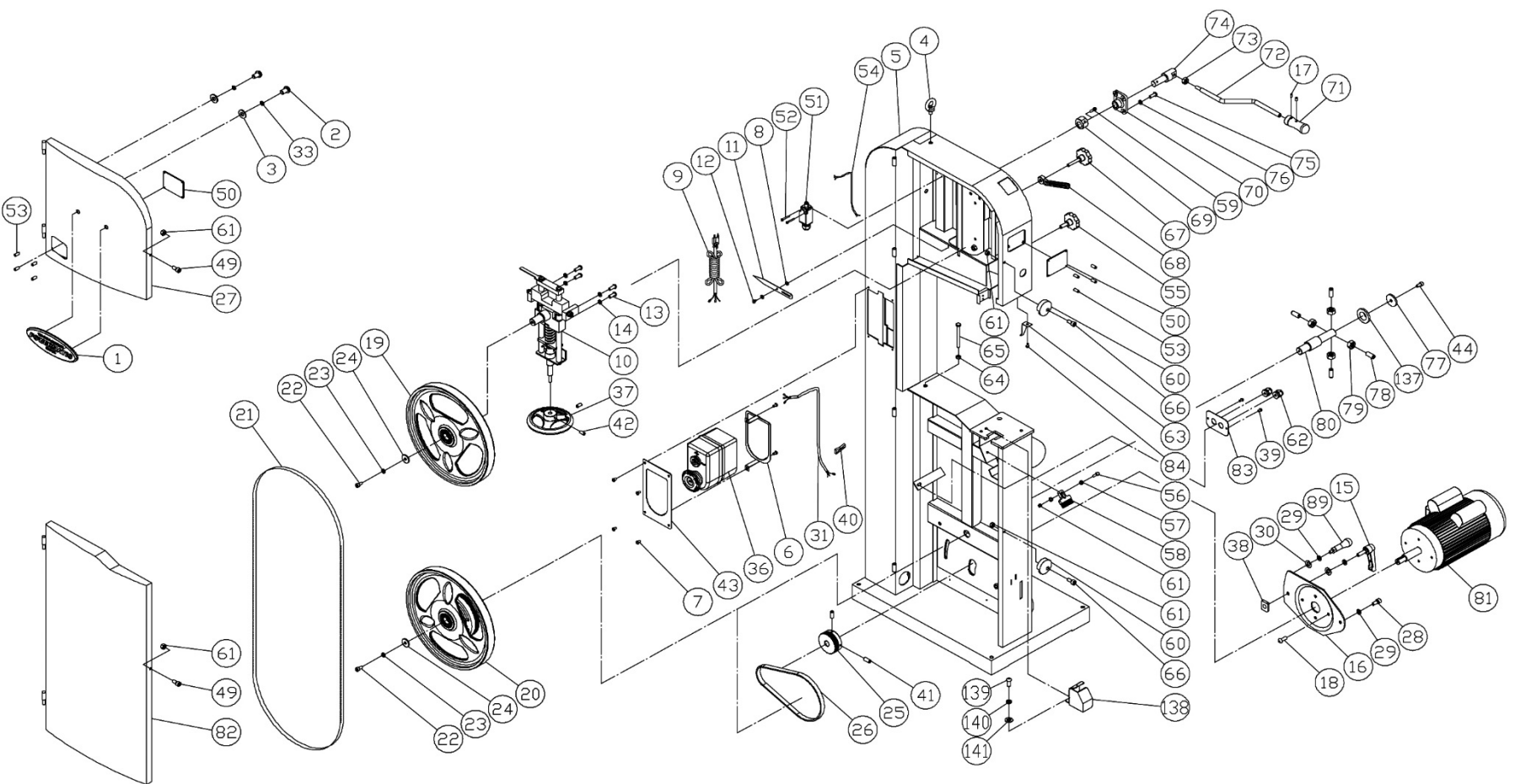


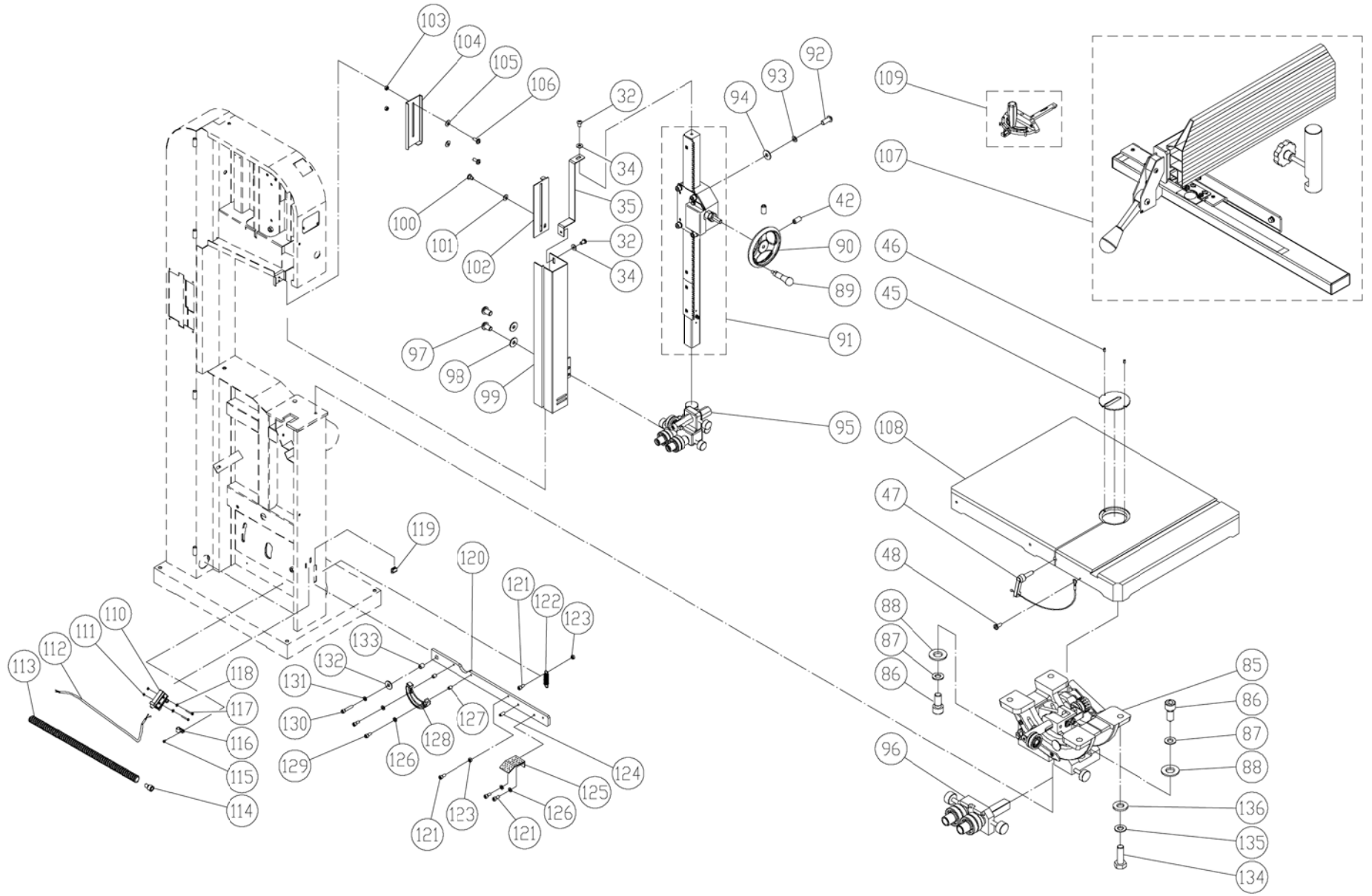
Powermatic

427 New Sanford Road
LaVergne, Tennessee 37086
Ph.: 800-274-6848
www.powermatic.com

Part No. M-1791500
Revision C 10/2018
Copyright © 2016 Powermatic

15.1.1 Complete Machine with Accessories – Exploded View





15.1.2 Complete Machine with Accessories – Parts List

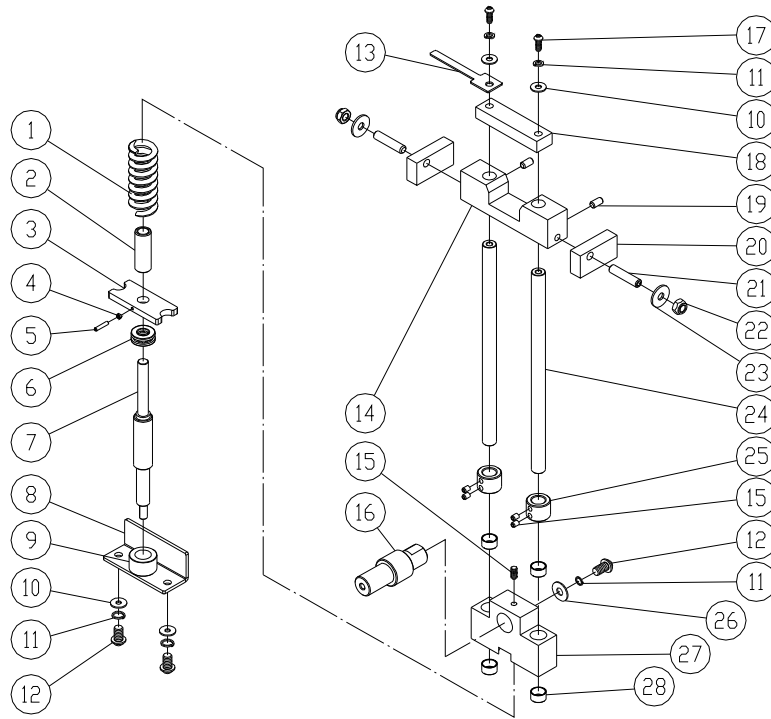
Index No	Part No	Description	Size	Qty
1	PM2000-105	Powermatic Nameplate, Large		1
2	TS-0254011	Socket Head Button Screw	1/4"-20UNCx3/8"L	2
3	TS-1550041	Flat Washer	M6 x Ø16	2
4	PM1500-004	Lifting Eye	M10	1
5	PM1500-005	Machine Main Body Frame		1
6	PM1500-006	Switch Bracket		1
7	TS-2246082	Socket Head Button Screw	M6x8	6
8	TS-1550041	Flat Washer	M6 x Ø13	2
9	PM1500-009	Power Cord	14AWGx3Cx3.4M	1
10	PM1500-010	Upper Wheel Sliding Bracket Assembly		1
11	PM1500-011	Tension Pointer		1
12	PM1500-012	Step Screw		1
13	TS-2248202	Socket Head Button Screw	M8x20	4
14	TS-2361081	Lock Washer	M8	4
15	PM1500-015	Motor Bracket Lock Handle	M10x33	1
16	PM1500-016	Motor Mount Plate		1
17	TS-1524011	Set Screw	M8x8	2
18	TS-2248202	Socket Head Button Screw	M8x20	4
19	PM1500-019	Upper Wheel Assembly	Ø15"	1
20	PM1500-020	Lower Wheel Assembly	Ø15"	1
21	PM1500-021	Saw Blade	153"L / 3/8"W / 0.65mm Thk	1
22	TS-1504041	Hex Socket Screw	M8x20	2
23	TS-2361081	Lock Washer	M8	2
24	TS-1550061	Flat Washer	M8 x Ø30	2
25	PM1500-025	Motor Pulley		1
26	PM1500-026	Poly-V Belt	290J9	1
27	PM1500-027	Upper Cabinet Door		1
28	TS-1505031	Socket Head Cap Screw	M10x25	1
29	TS-2361101	Lock Washer	M10	3
30	TS-1550071	Flat Washer	M10 x Ø20	2
31	PM1500-031	Motor Cord	14AWGx3Cx1.7M	1
32	TS-2246082	Socket Head Button Screw	M6x8	2
33	TS-2361061	Lock Washer	M6	1
34	TS-1550041	Flat Washer	M6 x Ø16	2
35	PM1500-035	Support Plate		1
36	PM1500-036	Magnetic Switch Assembly	230V/60Hz/1PH	1
37	PM2000-298	Safety Key for Magnetic Switch		1
38	PM1500-037	Handwheel	6"	1
39	PM1500-038	Locating Block		1
40	PM1500-039	Tapping Screw	M4x8	2
41	PM1500-040	Wire Connector	224-201	1
42	TS-1523041	Socket Set Screw	M6x12	2
43	TS-1523051	Socket Set Screw	M6x16	4
44	PM1500-043	Face Plate		1
45	TS-1504041	Socket Head Cap Screw	M8x20	1
46	PM1500-045	Table Insert (Aluminum)		1
47	PM1500-046	Roll Pin	Ø4x8	2
48	PM1500-047	Table Pin Assembly		1
49	TS-1534032	Pan Head Bolt w/Flange	M6x10	1
50	TS-1503021	Socket Head Cap Screw	M6x10	2
51	PM1500-050	Viewing Window		2
52	PM1500-051	Limit Switch	AZD-1112	1
53	TS-2284302	Phillips Pan Head Machine Screw	M4x30	2
54	TS-1521031	Socket Set Screw	M4x8	8
55	PM1500-054	Switch Cord	18AWGx2Cx1.2M	1
56	PM1500-055	Lock Knob	M10x30	1
57	TS-1482051	Hex Cap Screw	M6x25	2
58	TS-1550041	Flat Washer	M6 x Ø13	4
59	PM1500-058	Brush		2
59	TS-1503061	Socket Head Cap Screw	M6x25	1

Index No	Part No	Description	Size	Qty
60	PM1500-060	Door Lock Knob		2
61	TS-1541021	Nylon Lock Hex Nut	M6	6
62	PM1500-062	Strain Relief	PG13.5	2
63	PM1500-063	Pointer		1
64	TS-2311101	Hex Nut	M10	1
65	TS-1491151	Hex Cap Screw	M10x90	1
66	TS-1503061	Socket Head Cap Screw	M6x25	2
67	PM1500-067	Blade Tracking Adjustment Knob	M10x50	1
68	PM1500-068	Lock Handle	M10	1
69	PM1500-069	Cam		1
70	PM1500-070	Shaft Fixed Block		1
71	PM1500-071	Tension Quick release Handle		1
72	PM1500-072	Tension Quick release Lever		1
73	TS-1540081	Hex Nut	M12	1
74	PM1500-074	Tension Quick release Lever Shaft		1
75	TS-2248202	Socket Head Button Screw	M8x20	4
76	TS-2361081	Lock Washer	M8	4
77	PM1500-077	Washer		1
78	TS-1524051	Socket Set Screw	M8x20	4
79	TS-1540061	Hex Nut	M8	4
80	PM1500-080	Lower Wheel Shaft		1
81	PM1500-081	Motor	3HP, 1PH, 230V	1
	PM1500-081-01	Motor Fan (not shown)		1
	PM1500-081-02	Motor Fan Cover (not shown)		1
	PM1500-081-03	Start Capacitor (not shown)	200MFD, 250VAC	1
	PM1500-081-04	Running Capacitor (not shown)	60µF, 300VAC	1
	PM1500-081-05	Junction Box (not shown)		1
	PM1500-081-06	Junction Box Cover (not shown)		1
	PM1500-081-07	Centrifugal Switch (not shown)		1
82	PM1500-082	Lower Cabinet Door		1
83	PM1500-083	Strain Relief Fixed Plate		1
84	JMS12SCMS-81	Pan Head Bolt w/Flange	M5x8	1
85	PM1500-085	Trunnion Support Bracket Assembly		1
86	TS-1505051	Socket Head Cap Screw	M10x35	2
87	TS-2361101	Lock Washer	M10	2
88	TS-1550071	Flat Washer	M10 x Ø23	2
89	3520B-126	Handle		2
90	PM1500-090	Handwheel		1
91	PM1500-091	Guide Bar Bracket Assembly		1
92	TS-2248202	Socket Head Button Screw	M8x20	4
93	TS-2361081	Lock Washer	M8	4
94	TS-1550061	Flat Washer	M8 x Ø18	4
95	PM1500-095	Upper Blade Guide Support Assembly		1
96	PM1500-096	Lower Blade Guide Support Assembly		1
97	TS-2246082	Socket Head Button Screw	M6x8	2
98	TS-1550041	Flat Washer	M6 x Ø16	2
99	PM1500-099	Blade Guard Cover		1
100	PM1500-012	Shoulder bolt		1
101	PM1500-101	Plastic Washer	M6xØ13, Thk 1.5mm	1
102	PM1500-102	Sliding Plate		1
103	TS-1541011	Nylon Lock Hex Nut	M5	2
104	PM1500-104	Protect Cover		1
105	PM1500-101	Plastic Washer	M6xØ13,Thk 1.5mm	2
106	TS-1533032	Phillips Pan Head Machine Screw	M5x10	2
107	PM1500-107	Fence Assembly		1
108	PM1500-108	Table	21½"x16"	1
109	PM1500-109	Miter Gauge Assembly		1
110	PM1500-110	Limit Switch	KL7141	1
111	TS-1540021	Hex Nut	M4	2
112	PM1500-112	Limit Switch Cord	18AWGx2Cx2.2m	1
113	PM1500-113	Wire Jacket	½"x1100mm(L)	1
114	PM1500-114	Wire Bushing		1

Index No	Part No	Description	Size	Qty
115	JWTS10-217	Tapping Screw	M4x8	2
116	PM1500-116	Wire Fixed Clamp	5/8"	2
117	TS-2284302	Phillips Pan Head Machine Screw	M4x30	2
118	TS-1550021	Flat Washer	M4xØ8	2
119	PM1500-119	Plastic Bumper	9mmx10mm	1
120	PM1500-120	Foot Brake Lever		1
121	TS-1503041	Socket Head Cap Screw	M6x16	4
122	PM1500-122	Spring		1
123	TS-2311061	Hex Nut	M6	2
124	PM1500-124	Nylon Set Screw	M7x10	1
125	PM1500-125	Foot Brake Pedal		1
126	TS-2361061	Lock Washer	M6	4
127	PM1500-127	Bushing		2
128	PM1500-128	Brake Pad		1
129	TS-1503061	Socket Head Cap Screw	M6x25	2
130	TS-1504051	Socket Head Cap Screw	M8x25	1
131	TS-2361081	Lock Washer	M8	1
132	TS-1550061	Flat Washer	M8 x Ø30	1
133	PM1500-133	Bushing		1
134	TS-1490041	Hex Cap Screw	M8x25	4
135	TS-2361081	Lock Washer	M8	4
136	TS-1550061	Flat Washer	M8 x Ø18	4
137	PM1500-137	Plate		1
138	PM1500-138	Lower Blade Guard		1
139	TS-2246082	Socket Head Button Screw	M6 x 8	2
140	TS-2361061	Lock Washer	M6	2
141	TS-1550041	Flat Washer	M6 x Ø13	2
	3520B-157	Upper (Narrow) Stripe, 50"L (not shown)		4
	3520B-158	Lower (Wide) Stripe, 50"L (not shown)		2
	PM1500-WL	Warning Label (not shown)	4"H x 5-1/4"W	1
	PM1500-ID	I.D. Label (not shown)		1
	PM1500-GS	Guide Post Scale (not shown)		1
	PM1500-TLL	Tension Lever Label (not shown)		1
	PM1500-BTL	Blade Tension Label (not shown)		1

15.2.1 Upper Wheel Sliding Bracket & Tension Mechanism Assembly – Exploded View

Part Assembly No.: PM1500-010

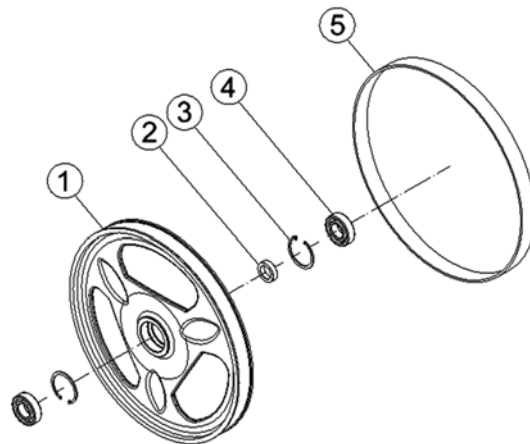


15.2.2 Upper Wheel Sliding Bracket & Tension Mechanism Assembly – Parts List

Index No	Part No	Description	Size	Qty
1	PM1500-010-01	Spring		1
2	PM1500-010-02	Bushing		1
3	PM1500-010-03	Plate		1
4	TS-1540021	Hex Nut	M4	1
5	A077	Socket Set Screw	M4x25	1
6	BB-51201	Thrust Bearing		1
7	PM1500-010-07	Adjustment Screw Rod		1
8	PM1500-010-08	Adjustment Plate		1
9	PM1500-010-09	Screw Bushing		1
10	TS-1550061	Flat Washer	M8 x Ø18	4
11	TS-2361081	Lock Washer	M8	5
12	TS-2248202	Socket Head Button Screw	M8x20	3
13	PM1500-010-13	Limit Switch Plate		1
14	PM1500-010-14	Fixed Position Block		1
15	TS-1524011	Hex Socket Screw	M8x6	5
16	PM1500-010-16	Wheel Shaft		1
17	TS-2248302	Socket Head Button Screw	M8x30	2
18	PM1500-010-18	Locating Block		1
19	TS-1523031	Socket Set Screw	M6x10	2
20	PM1500-010-20	Fixed Block		2
21	PM1500-010-21	Socket Set Screw	M10x50	2
22	TS-1541041	Nylon Lock Hex Nut	M10	2
23	TS-1550071	Flat Washer	M10	2
24	PM1500-010-24	Guide Post		2
25	PM1500-010-25	Collar		2
26	TS-1550061	Flat Washer	M8 x Ø30	1
27	PM1500-010-27	Upper Wheel Sliding Bracket		1
28	PM1500-010-28	Bushing	DU1610	4

15.3.1 Upper Wheel Assembly – Exploded View

Part Assembly No.: PM1500-019

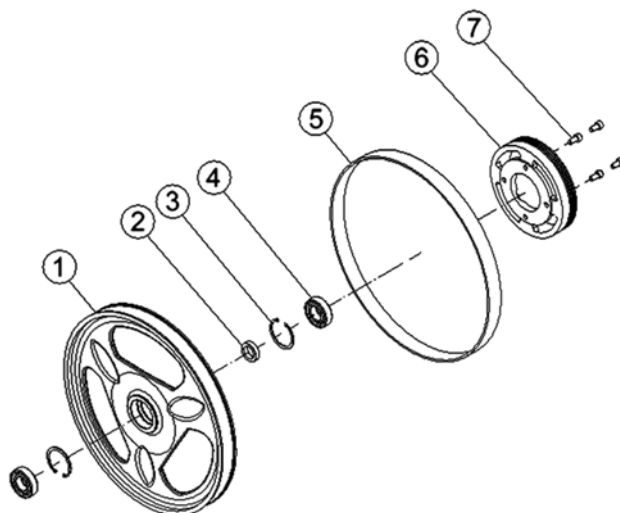


15.3.2 Upper Wheel Assembly – Parts List

Index No	Part No	Description	Size	Qty
1	PM1500-019-01	Upper Wheel	Dia.15 inches	1
2	PM1500-019-02	Spacer		1
3	JWBS20QT-504	Retaining Ring	R52	2
4	BB-6205LLU	Ball Bearing	6205LLU	2
5	PM1500-019-05	Tire		1

15.4.1 Lower Wheel Assembly – Exploded View

Part Assembly No.: PM1500-020

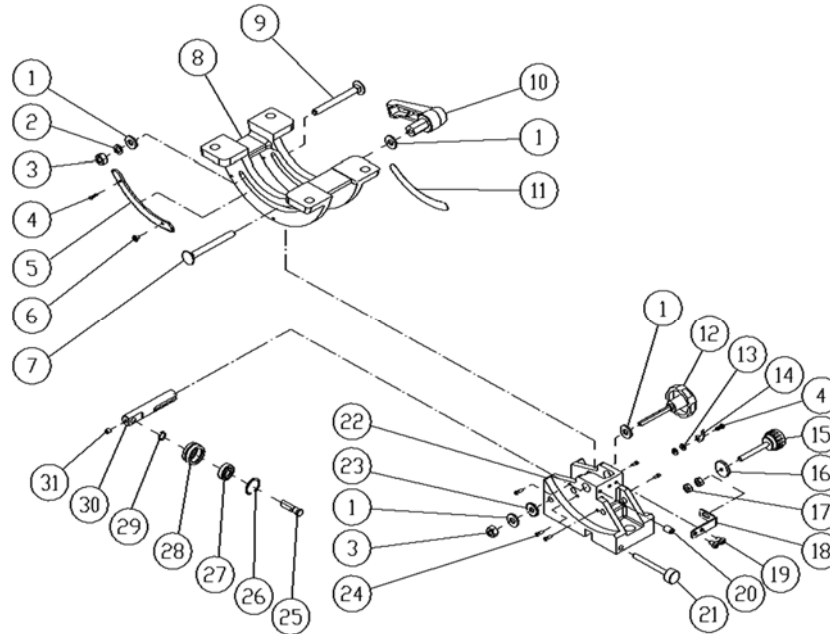


15.4.2 Lower Wheel Assembly – Parts List

Index No	Part No	Description	Size	Qty
1	PM1500-020-01	Lower Wheel	Dia.15 inches	1
2	PM1500-019-02	Spacer		1
3	JWBS20QT-504	Retaining Ring	R52	2
4	BB-6205LLU	Ball Bearing	6205LLU	2
5	PM1500-019-05	Tire		1
6	PM1500-020-06	Drive Pulley		1
7	TS-1504031	Socket Head Cap Screw	M8x16	4

15.5.1 Trunnion Support Bracket Assembly – Exploded View

Part Assembly No.: PM1500-085

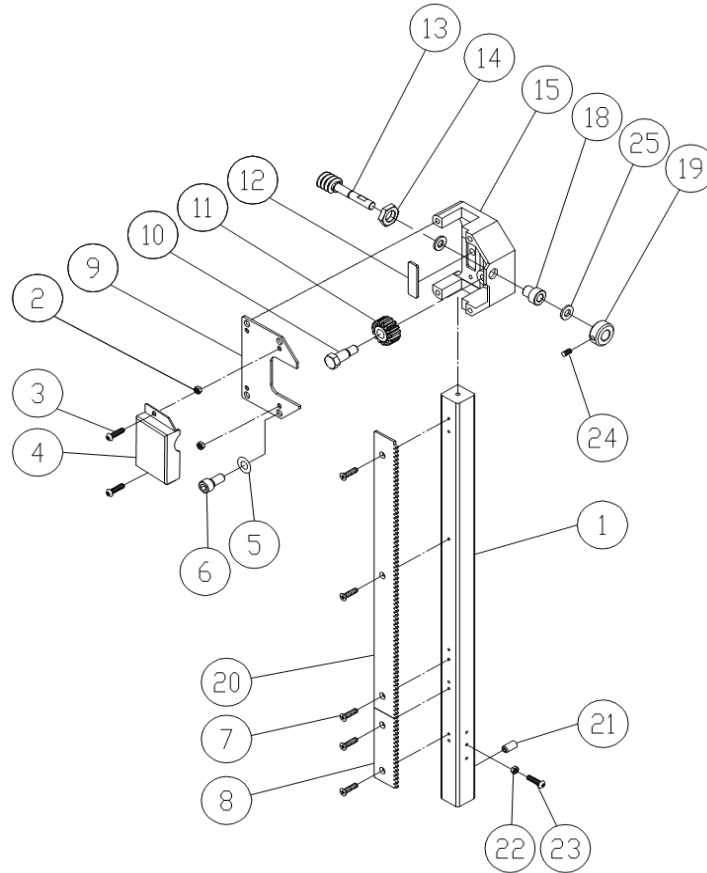


15.5.2 Trunnion Support Bracket Assembly – Parts List

Index No	Part No	Description	Size	Qty
1	TS-1550061	Flat Washer	M8 x Ø18	4
2	TS-2361081	Lock Washer	M8	1
3	TS-1541031	Nylon Lock Hex Nut	M8	2
4	TS-2284062	Phillips Pan Head Machine Screw	M4x6	2
5	PM1500-085-05	Gear Rack		1
6	TS-2284061	Phillips Flat Head Machine Screw	M4x6	1
7	PM1500-085-07	Carriage Bolt	M8x85	1
8	PM1500-085-08	Trunnion Block		1
9	PM1500-085-09	Carriage Bolt	M8x80	1
10	PM1500-085-10	Lock Handle		1
11	PM1500-085-11	Tilt Scale		1
12	PM1500-085-12	Adjustment Knob Bolt		1
13	TS-1550021	Flat Washer	M4 x Ø8	2
14	PM1500-085-14	Angle Pointer		1
15	PM1500-085-15	Adjustment Knob Bolt	M6	1
16	PM1500-085-16	Locking Ring		1
17	TS-1540041	Hex Nut	M6	2
18	PM1500-085-18	Adjustment Plate		1
19	TS-1533032	Phillips Pan Head Machine Screw	M5x8	2
20	PM1500-085-20	Set Screw		1
21	PM1500-085-21	Lock Knob		1
22	PM1500-085-22	Trunnion Support Bracket		1
23	PM1500-085-23	Gear		1
24	TS-2235061	Socket Head Cap Screw	M5x6	6
25	PM1500-085-25	Adjustment Shaft		1
26	PM1500-085-26	Retaining Ring	R22	1
27	BB-608ZZ	Ball Bearing	608ZZ	1
28	PM1500-085-28	Thrust Bearing Holder		1
29	PM1500-085-29	Retaining Ring	S8	1
30	PM1500-085-30	Adjustment Bar		1
31	TS-1523011	Socket Set Screw	M6x6	1

15.6.1 Guide Bar Bracket Assembly – Exploded View

Part Assembly No.: PM1500-091

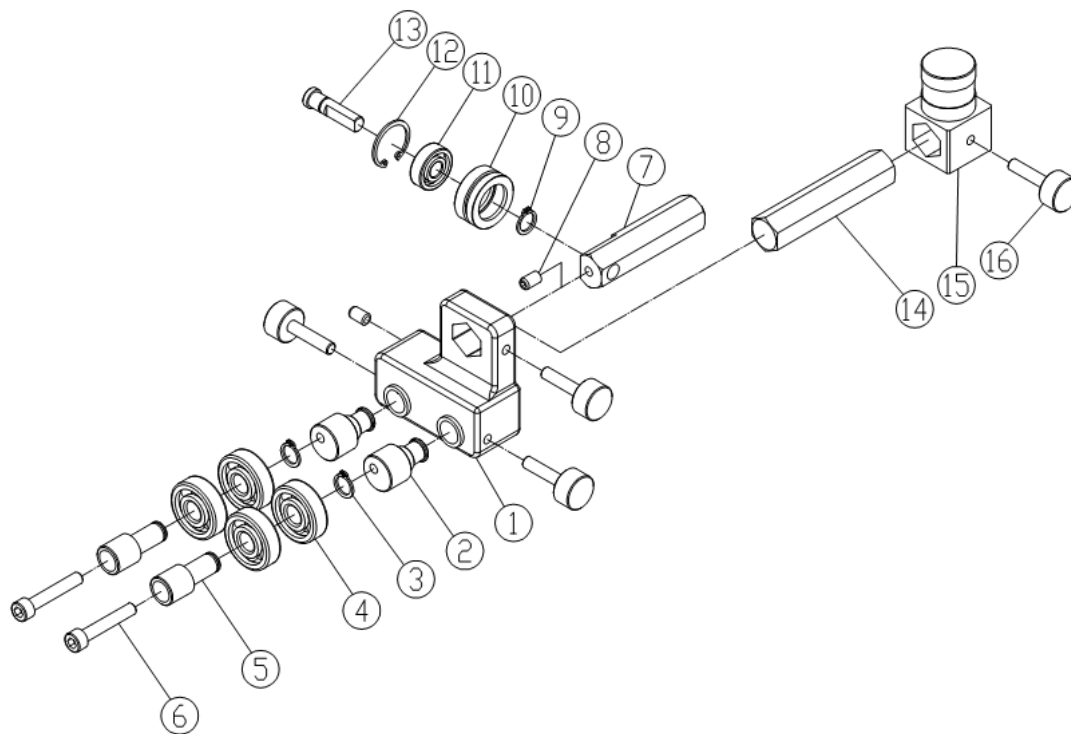


15.6.2 Guide Bar Bracket Assembly – Parts List

Index No	Part No	Description	Size	Qty
1	PM1500-091-01	Guide Bar		1
2	TS-1540031	Hex Nut	M5	2
3	TS-1533032	Phillips Pan Head Machine Screw	M5x10	2
4	PM1500-091-04	Cover		1
5	TS-2361081	Lock Washer	M8	4
6	TS-1504031	Hex Socket Screw	M8x16	4
7	6286927	Phillips Flat Head Machine Screw	M4x10	1
8	PM1500-091-08	Guide Bar Rack (short)		1
9	PM1500-091-09	Cover		1
10	PM1500-091-10	Fixed Pin		1
11	PM1500-091-11	Gear		1
12	PM1500-091-12	Fixed Plate		1
13	PM1500-091-13	Worm Shaft		1
14	TS-154010	Hex Nut	M16	1
15	PM1500-091-15	Guide Bracket		1
18	PM1500-091-18	Bushing		1
19	PM1500-091-19	Collar		1
20	PM1500-091-20	Guide Bar Rack (long)		1
21	TS-1523021	Socket Set Screw	M6x8	2
22	TS-1540021	Hex Nut	M4	1
23	TS-1532032	Phillips Pan Head Machine Screw	M4x10	1
24	TS-1522011	Socket Set Screw	M5x5	1
25	PM1500-091-25	Plastic Washer		2

15.7.1 Upper Blade Guide Assembly – Exploded View

Part Assembly No.: PM1500-095

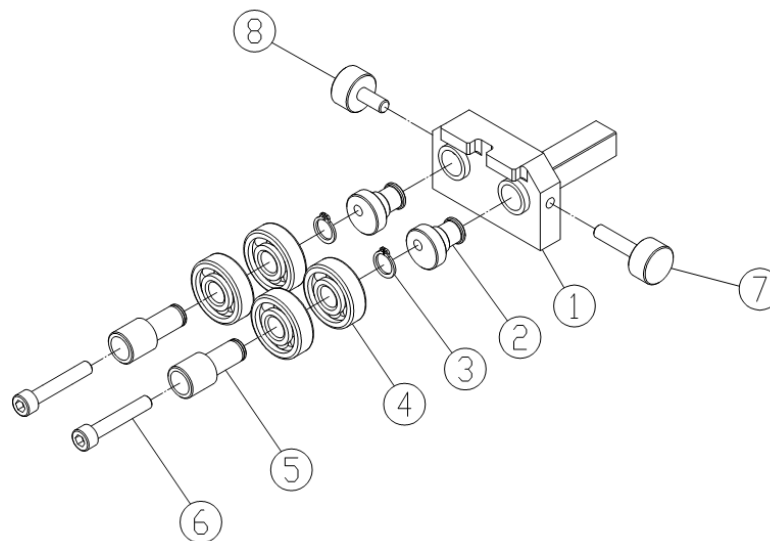


15.7.2 Upper Blade Guide Assembly – Parts List

Index No	Part No	Description	Size	Qty
1	PM1500-095-01	Upper Blade Guide Support		1
2	PM1500-095-02	Eccentric Shaft		2
3	6286478	Retaining Ring	S12	2
4	BB-6201ZZ	Ball Bearing	6201ZZ	4
5	PM1500-095-05	Knurled Knob		2
6	TS-1503081	Socket Head Cap Screw	M6x35	2
7	PM1500-095-07	Upper Spacing Sleeve		1
8	TS-1523011	Socket Set Screw	M6x6	2
9	PM1500-085-29	Retaining Ring	S8	1
10	PM1500-085-28	Thrust Bearing Holder		1
11	BB-608ZZ	Ball Bearing	608ZZ	1
12	PM1500-085-26	Retaining Ring	R22	1
13	PM1500-085-25	Adjustment Shaft		1
14	PM1500-095-14	Hex Post		1
15	PM1500-095-15	Upper Blade Guide Support Block		1
16	PM1500-095-16	Lock Knob		4

15.8.1 Lower Blade Guide Assembly – Exploded View

Part Assembly No.: PM1500-096

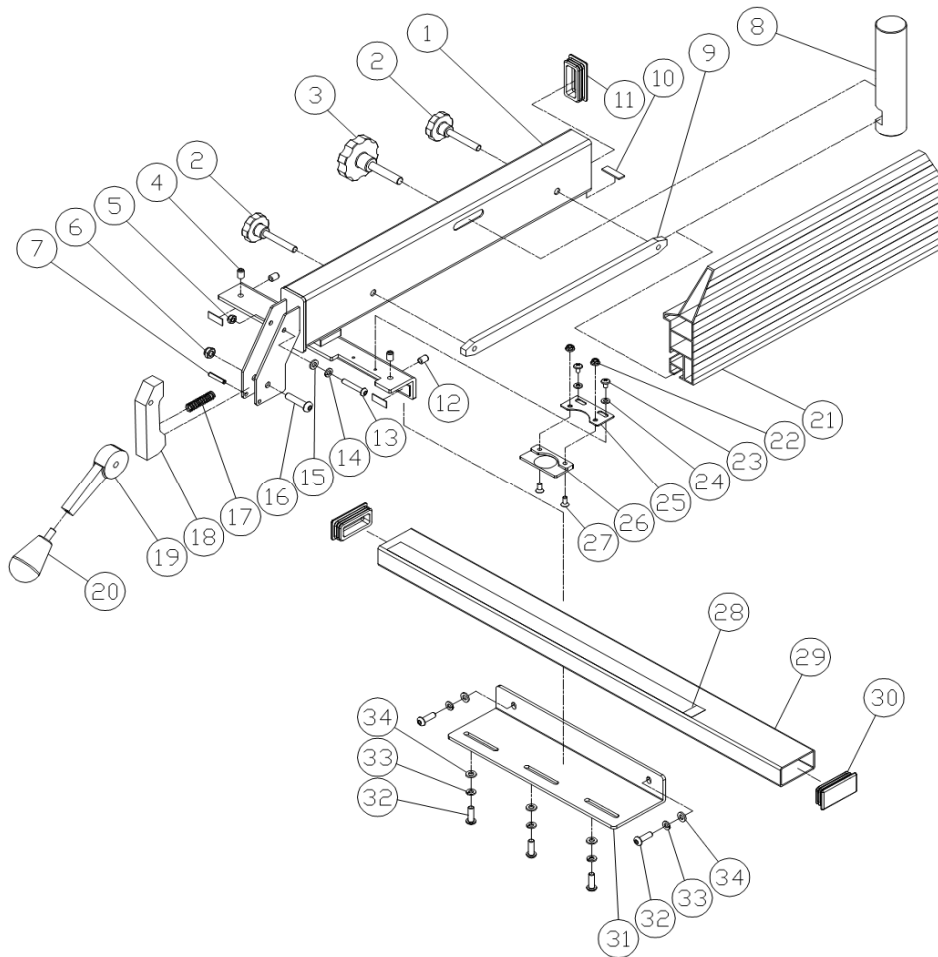


15.8.2 Lower Blade Guide Assembly – Parts List

Index No	Part No	Description	Size	Qty
1	PM1500-096-01	Lower Blade Guide Support		1
2	PM1500-096-02	Eccentric Shaft		2
3	PM1500-095-03	Retaining Ring	S12	2
4	BB-6201ZZ	Ball Bearing	6201ZZ	4
5	PM1500-095-05	Knurled Knob		2
6	TS-1503081	Hex Socket Screw (Black)	M6x35	2
7	PM1500-095-16	Lock Knob		1
8	PM1500-096-08	Lock Knob		2

15.9.1 Fence Assembly – Exploded View

Part Assembly No.: PM1500-107



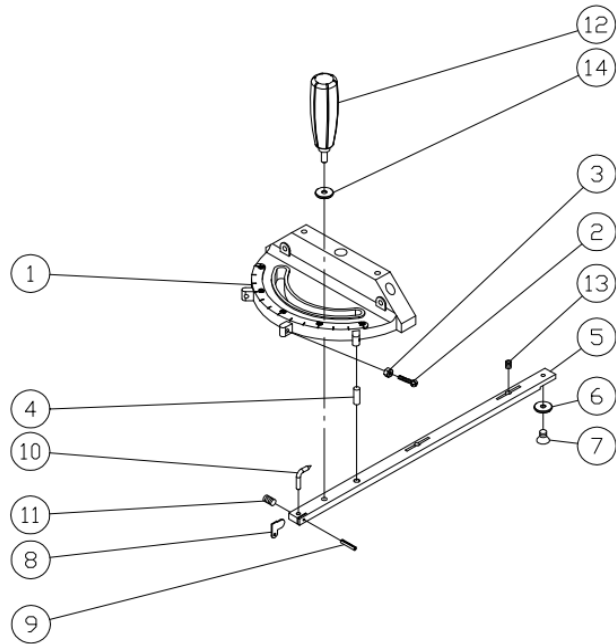
15.9.2 Fence Assembly – Parts List

Index No	Part No	Description	Size	Qty
1	PM1500-107-01	Fence Body		1
2	PM1500-107-02	Lock Knob	M8x52	2
3	PM1500-107-03	Resaw Lock Knob	M10x50	1
4	PM1500-107-04	Nylon Set Screw	M10x12	2
5	TS-1541021	Nylon Lock Hex Nut	M6	1
6	TS-1541031	Nylon Hex Nut (Black)	M8	1
7	992322	Roll Pin	Ø5x26	1
8	PM1500-107-08	Resaw Pin	1½" x 6½" (Dia.xH)	1
9	PM1500-107-09	Lock Bar		1
10	PM1500-107-10	Nylon Pad		3
11	PM1500-107-11	Tube Plug	40x80mm	1
12	TS-1525011	Socket Set Screw	M10x10	2
13	TS-2246352	Socket Head Button Screw	M6x35	1
14	TS-2361061	Lock Washer	M6	1
15	TS-1550041	Flat Washer	M6 x Ø13	1
16	9180-56	Socket Head Button Screw	M8x35	1
17	PM1500-107-16	Spring		1
18	PM1500-107-17	Handle Lock Bracket		1
19	PM1500-107-18	Lock Handle		1
20	PM1500-107-19	Knob	M8x21	1
21	PM1500-107-20	Fence Plate	19½" x 6½" (LxW)	1
22	PM1500-107-22	Hex Flange Nut	M5	2

Index No	Part No	Description	Size	Qty
23	PM1900-108-6	Phillips Pan Head Machine Screw	M5x8	2
24	TS-1550031	Flat Washer	M5 x Ø12	2
25	PM1500-107-25	Cursor Bracket		1
26	PM1500-107-26	Convex Cursor		1
27	TS-2285121	Phillips Flat Head Machine Screw	M5x12	2
28	PM1500-107-28	Scale Label		1
29	PM1500-107-29	Guide Rail Tube		1
30	PM1500-107-30	Tube Plug	30x60mm	2
31	PM1500-107-31	Guide Rail		1
32	TS-1482031	Hex Cap Screw	M6x16	5
33	TS-2361061	Lock Washer	M6	5
34	TS-1550041	Flat Washer	M6 x Ø16	5

15.10.1 Miter Gauge Assembly – Exploded View

Part Assembly No.: PM1500-109



15.10.2 Miter Gauge Assembly – Parts List

Index No	Part No	Description	Size	Qty
1	6295167	Miter Gauge Body		1
2	TS-1533062	Pan Head Screw	M5x20	3
3	TS-1540031	Hex Nut	M5	3
4	6295168	Steel Pin		1
5	PM1500-109-05	Guide Bar		1
6	6295163	Guide Disc		1
7	PM1800-461	Flat Head Screw	M6x8	1
8	6295171	Stop Tab		1
9	PM1800-462	Spring Pin	3x6mm	1
10	6295169	Pointer		1
11	SS050100	Socket Set Screw	M5x5	1
12	PM1800-451	Handle	M8x20	1
13	PM2000-343	Socket Set Screw	M8x6	2
14	TS-0680031	Flat Washer	M8x Ø18	1