

## Optional Accessories

2195042K	Accu-Fence® and rail system for ripping 50" to right and 12" to left of saw blade.
2195079Z	Accu-Fence® - fence assembly only, no rails.
1791787	Low Profile Riving Knife.
1791791	Thin Kerf Riving Knife.
1791792	Low Profile Thin Kerf Riving Knife
1791790	Table Insert.
1791788	Dado Insert Plate for 8" dado head.
2726008	Replacement side panel kit for Model 66 Accu-Fence®.
1791789	Miter Gauge.
6827044	Motor cover.
708295	Tenoning Jig.
1791786	Zero Clearance Insert.
6441000Z	Set of 2 legs for 6827028 table.
6682004	Rout-R-Lift with deluxe fence.
6827041	Wood Extension Table for 50" capacity with Rout-R-Lift hole.
6827043	Wood Extension Table for 30" capacity with Rout-R-Lift hole.
6827040	Wood Extension Table for 50" capacity.
6827042	Wood Extension Table for 30" capacity.

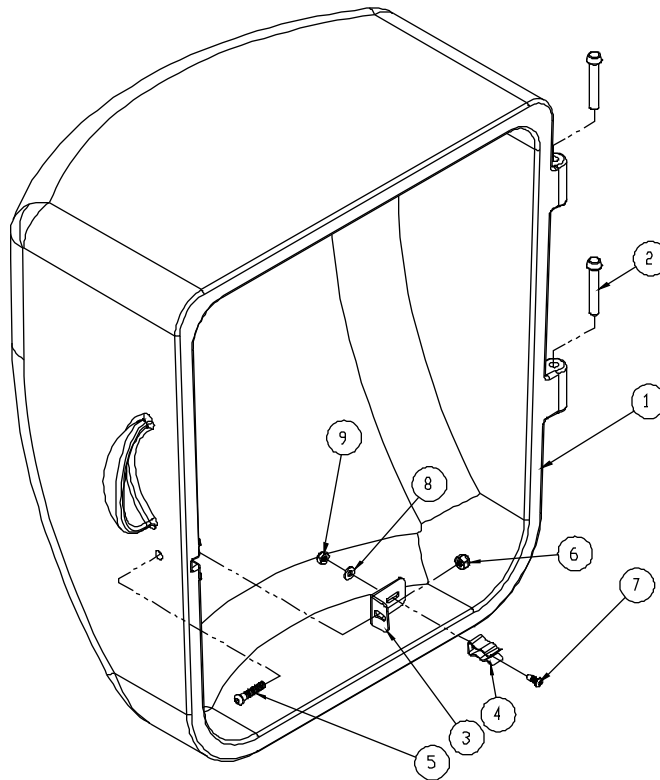
## Ordering Replacement Parts

To order parts or reach our service department, call 1-800-274-6848, Monday through Friday (see our website for business hours, [www.waltermeier.com](http://www.waltermeier.com)). Having the Model Number and Serial Number of your machine available when you call will allow us to serve you quickly and accurately.

# Model PM2000 Table Saw Parts List

## Side Cover Assembly

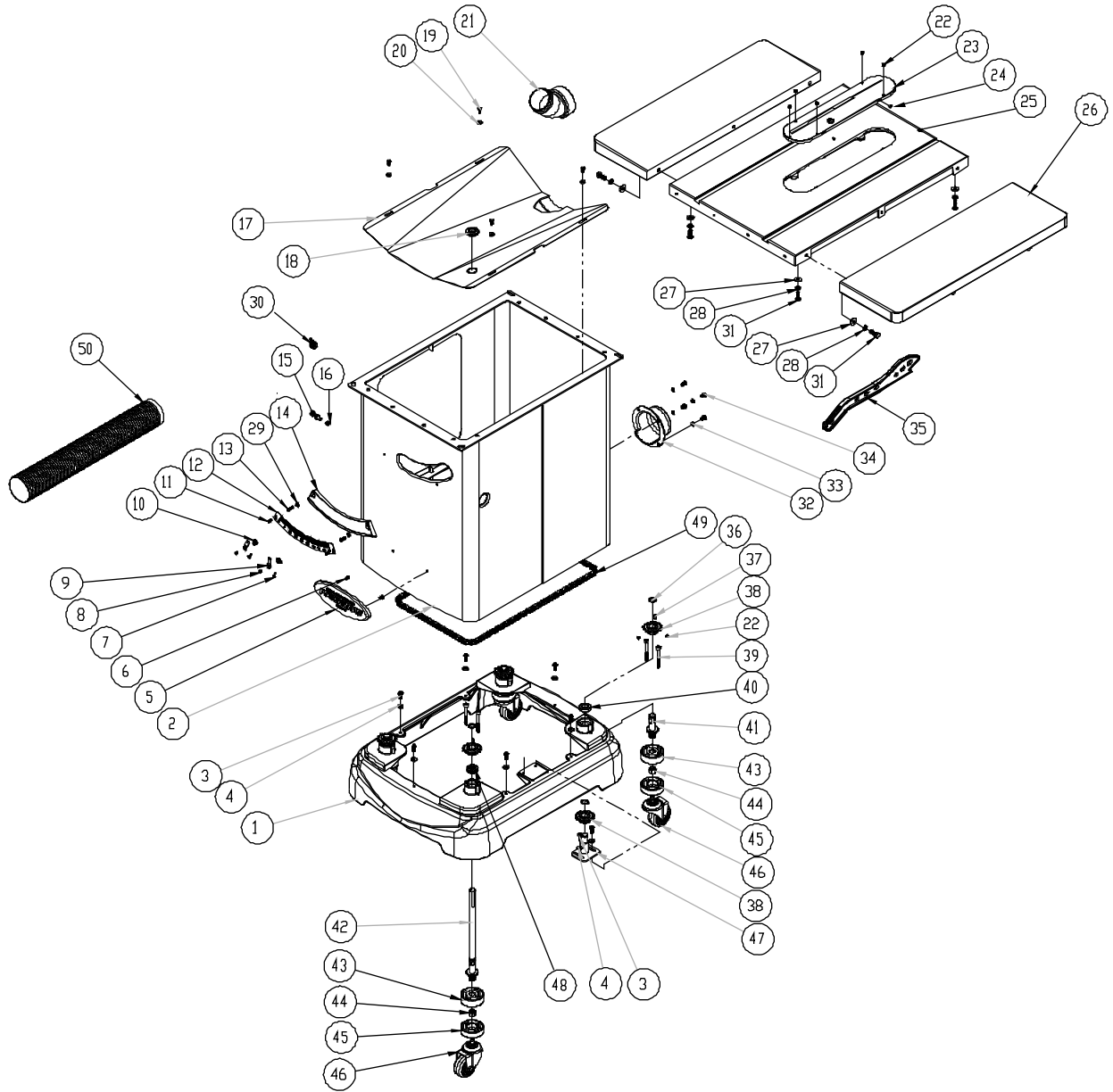
Index No.	Part No.	Description	Size	Qty
.....	6827044	PM2000 Motor Cover Assembly (Index #1 thru #9)		1
1.....	PM2000-401	Cover		1
2.....	PM2000-402	Hinge Pin		2
3.....	PM2000-403	Bracket		1
4.....	PM2000-404	Latch Clip		1
5.....	PM2000-405	Button Head Socket Screw	1/4-20x1-1/4	1
6.....	TS-0640071	Nylon Insert Lock Nut	1/4-20	1
7.....	TS-081C032	Pan Head Screw	#10-24x1/2	1
8.....	TS-069204	Flat Washer	#10	1
9.....	TS-0560071	Hex Nut	#10-24	1



## Table & Cabinet Assembly

Index No.	Part No.	Description	Size	Qty
1	PM2000-101	Base		1
2	PM2000-102	Cabinet		1
	PM2000-102A	Cabinet (for 5HP 1PH only)		1
3	TS-0255041	Button Head Socket Screw	5/16-18x3/4	8
4	TS-0680031	Flat Washer	5/16	8
5	PM2000-105	Powermatic Name Plate		1
6	TS-0255011	Socket Head Button Screw	5/16-18x3/8	2
7	PM2000-107	Lock Screw		2
8	TS-081C011	Flat Head Machine Screw	#10-24x1/4	2
9	PM2000-109	Pointer		2
10	PM2000-110	Pointer Block		2
11	TS-081C032	Pan Head Screw	#10-24x1/2	2
12	PM2000-112	Tilt Angle Scale		1
13	TS-0254021	Button Head Socket Screw	1/4-20x1/2	2
14	PM2000-114	Scale Base		1
15	PM2000-115	Latch Post		1
16	TS-0561021	Hex Nut	5/16-18	1
17	PM2000-117	Dust Plate		1
18	PM2000-118	Bushing		1
19	TS-0050011	Hex Cap Screw	1/4-20x1/2	4
20	TS-0680021	Flat Washer	1/4	6
21	PM2000-121	Dust Port		1
22	TS-0267021	Set Screw	1/4-20x1/4	13
23	1791790	Table Insert		1
24	PM2000-124	Ball Plunger		2
25	PM2000-125	Table		1
26	PM2000-126	Extension Table		2
27	TS-0680041	Flat Washer	3/8	10
28	TS-0720091	Lock Washer	3/8	10
29	TS-0720071	Lock Washer	1/4	2
30	PM2000-130	Strain Relief		1
	PM2000-130A	Strain Relief (for 5HP/1Ph only)		1
31	TS-0060051	Hex Cap Screw	3/8-16x1	10
32	PM2000-132	Dust Chute		1
33	TS-0720081	Lock Washer	5/16	4
34	TS-0255021	Button Head Socket Screw	5/16-18x1/2	4
35	PM2000-135	Push Stick		1
36	PM2000-136	Retaining Ring		5
37	PM2000-137	Key	5x5x18	4
38	PM2000-138	Sprocket		5
39	TS-0208121	Socket Head Cap Screw	5/16-18x2-1/2	8
40	BB-6904ZZ	Ball Bearing	6904ZZ	3
41	PM2000-141	Shaft		3
42	PM2000-142	Lead Screw		1
43	PM2000-143	Adjusting Block		4
44	TS-0640111	Nylon Insert Lock Nut	1/2-13	4
45	PM2000-145	Elevating Block		4
46	PM2000-146	Castor		4
47	PM2000-147	Bracket		1
48	BB-51104	Thrust Bearing	51104	1
49	PM2000-149	Chain		1
50	PM2000-150	Dust Collection Tube		1

# Table & Cabinet Assembly



## Trunnion & Motor Assembly Parts List

Index No.	Part No.	Description	Size	Qty
1	PM2000-201	Knob		2
2	PM2000-202	Hand Wheel		2
3	TS-0270051	Set Screw	5/16-18x1/2	2
4	PM2000-204	Collar		1
5	TS-0270011	Set Screw	5/16-18x1/4	4
6	PM2000-206	Washer		2
7	TS-0810012	Round Head Screw	#10-24x1/4	1
8	PM2000-208	Pointer		1
9	PM2000-209	Bracket		1
10	PM2000-210	Roll Pin		1
11	TS-0271131	Set Screw	3/8-16x2	1
12	TS-0561031	Hex Nut	3/8-16	14
13	PM2000-213	Front Trunnion		1
14	TS-0267041	Set Screw	1/4-20x3/8	9
15	PM2000-215	Key	5x5x25	3
16	PM2000-216	Worm Gear		1
17	TS-0256051	Button Head Socket Screw	3/8-16x1	8
18	PM2000-218	Lock Nut	5/8-18 L.H.	1
19	PM2000-219	Support Base		1
20	PM2000-220	Raising Shaft		1
21	PM2000-221	Woodruff Key		2
22	PM2000-222	Roll Pin		3
23	PM2000-223	Bushing		1
24	PM2000-224	Worm		2
25	PM2000-225	Shaft		1
26	PM2000-226	Bushing		1
27	PM2000-227	Worm		1
28	TS-0209061	Socket Head Cap Screw	3/8-16x1-1/4	9
29	TS-0680041	Flat Washer	3/8	3
30	TS-0720091	Lock Washer	3/8	18
31	PM2000-231	Bracket		1
32	TS-081F051	Flat Head Machine Screw	1/4-20x3/4	2
33	TS-0254041	Button Head Socket Screw	1/4-20x3/4	1
34	PM2000-234	Shaft		1
35	TS-0060061	Hex Cap Screw	3/8-16x1-1/4	2
36	PM2000-236	Washer		2
37	PM2000-237	Lock Nut	1-1/8-12	1
38	PM2000-238	Center Trunnion		1
39	PM2000-239	Poly-V Belt		1
40	PM2000-240	Key	7x7x25	1
41	PM2000-241	Motor Pulley		1
42	TS-0270031	Set Screw	5/16-18x3/8	4
43	PM2000-243	Motor Base		1
44	PM2000-244	Stud		1
45	TS-0680061	Flat Washer	1/2	2
46	TS-0640111	Nylon Insert Lock Nut	1/2-13	2
47	TS-0070031	Hex Cap Screw	1/2-13x1-1/2	1
48	PM2000-248	Motor	3HP, 230V, 1Ph	1
	PM2000-MF	Motor Fan (not shown)		1
	PM2000-MFC	Motor Fan Cover (not shown)		1
	PM2000-CS	Centrifugal Switch (not shown)		1
	PM2000-SC	Starting Capacitor (not shown)	250MFD, 250VAC	1
	PM2000-RC	Running Capacitor (not shown)	20µF, 450VAC	1
	PM2000-SCC	Starting Capacitor Cover (not shown)		1
	PM2000-RCC	Running Capacitor Cover (not shown)		1
	PM2000-JB	Junction Box (not shown)		1

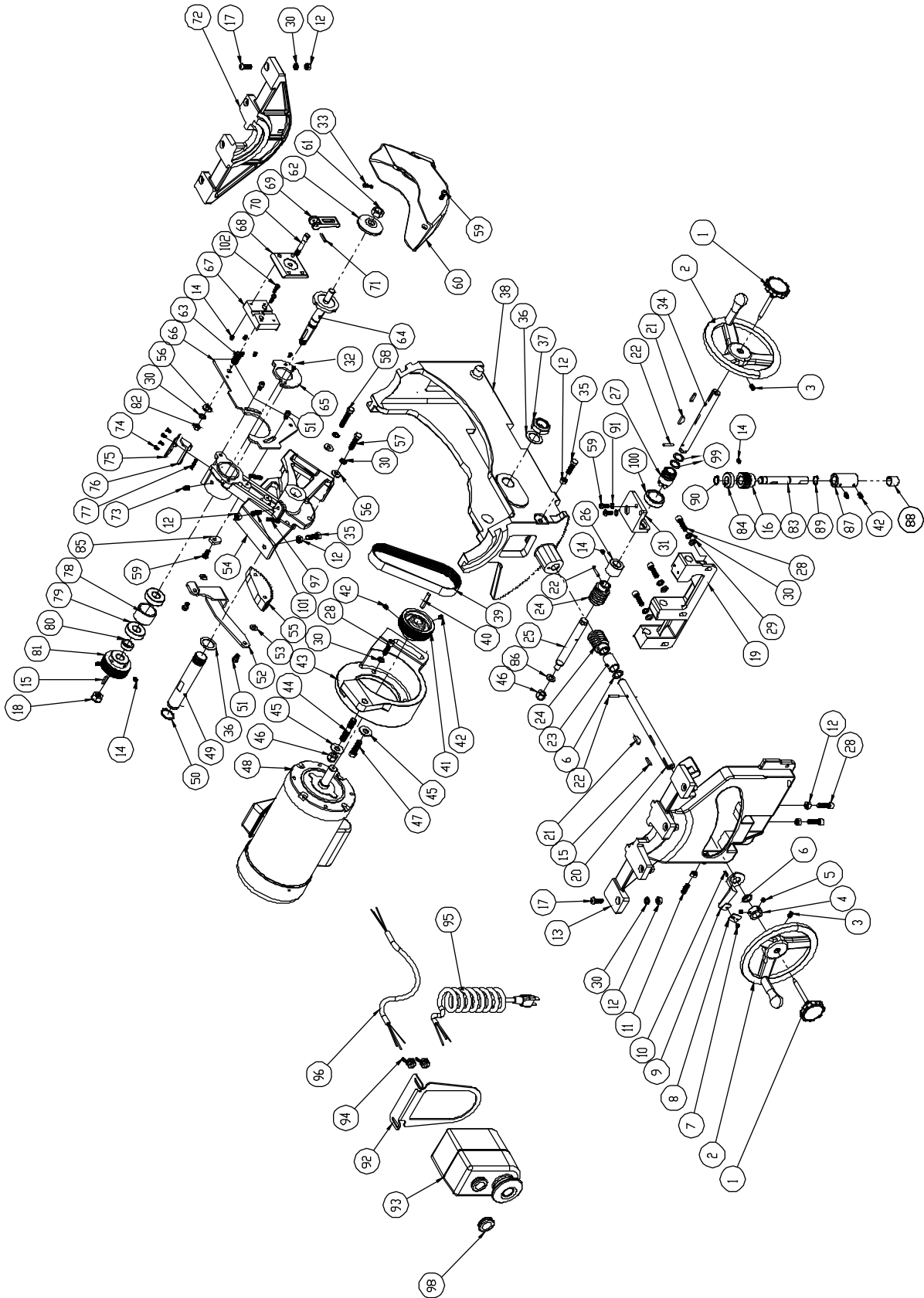
## Trunnion & Motor Assembly Parts List

Index No.	Part No.	Description	Size	Qty
	PM2000-JBC	Junction Box Cover (not shown)		1
	PM2000-248C	Motor	5HP, 230V, 1Ph	1
	PM3000-MF	Motor Fan (not shown)		1
	PM2000-MFCB	Motor Fan Cover (not shown)		1
	PM2000-CSA	Centrifugal Switch (not shown)		1
	PM3000-SCA	Starting Capacitor (not shown)	250MFD, 250VAC	1
	PM2000-RCA	Running Capacitor (not shown)	35 $\mu$ F, 450VAC	1
	PM2000-SCCA	Starting Capacitor Cover (not shown)		1
	PM3000-JBA	Junction Box (not shown)		1
	PM3000-JBC	Junction Box Cover (not shown)		1
	PM2000-248B	Motor	5HP, 230/460V, 3Ph	1
	PM2000-MF	Motor Fan (not shown)		1
	PM2000-MFCA	Motor Fan Cover (not shown)		1
	PM2000-JB	Junction Box (not shown)		1
	PM2000-JBC	Junction Box Cover (not shown)		1
49	PM2000-249	Shaft		1
50	PM2000-250	Retaining Ring		1
51	PM2000-251	Shoulder Screw		4
52	PM2000-252	Extension Support Bracket		1
53	TS-0680031	Flat Washer	5/16	2
54	PM2000-254	Bearing Arm		1
55	PM2000-255	Gear Block		1
56	TS-0680041	Flat Washer	3/8	3
57	TS-0060071	Hex Cap Screw	3/8-16x1-1/2	1
58	TS-0060091	Hex Cap Screw	3/8-16x2	1
59	TS-0255041	Button Head Socket Screw	5/16-18x3/4	4
60	PM2000-260	Blade Dust Chute		1
61	PM2000-261	Arbor Nut		1
62	PM2000-262	Arbor Collar		1
63	PM2000-263	Spring		1
64	PM2000-264	Arbor		1
	PM2000-AA	Arbor Assembly (Index #61, #62, #64, #78 thru #80)		
65	PM2000-265	Fixed Plate		1
66	PM2000-266	Riving Knife Extension Plate		1
67	PM2000-267	Clamping Block		1
68	PM2000-268	Clamping Block		1
69	PM2000-269	Lock Handle		1
70	PM2000-270	Locking Pin		1
71	PM2000-271	Roll Pin		1
72	PM2000-272	Rear Trunnion		1
73	TS-0271051	Set Screw	3/8-16x1/2	1
74	TS-081C032	Pan Head Screw	#10-24x1/2	4
75	PM2000-275	Plate		1
76	PM2000-276	Arbor Lock Insert		1
77	PM2000-277	Spring		1
78	PM2000-278	Bushing		1
79	BB-6204VV	Ball Bearing	6204VV	2
80	PM2000-280	Bushing		1
81	PM2000-281	Arbor Pulley		1
82	TS-0640091	Nylon Insert Lock Nut	3/8-16	1
83	PM2000-283	Shaft		1
84	BB-6003ZZ	Ball Bearing	6003ZZ	1
85	PM2000-285	Stop Block		1
86	PM2000-286	Washer		1
87	PM2000-287	Bushing		1

## Trunnion & Motor Assembly Parts List

Index No.	Part No.	Description	Size	Qty
88	PM2000-288	DU Bushing		1
89	PM2000-289	Retaining Ring		1
90	PM2000-290	Retaining Ring		1
91	TS-0720081	Lock Washer	5/16	2
92	PM2000-292	Switch Plate		1
93	PM2000-293	Magnetic Switch	3HP, 230V, 1Ph	1
	PM2000-293A	Magnetic Switch	5HP, 230V, 1Ph	1
	PM2000-293B	Magnetic Switch	5HP, 230V, 3Ph	1
	PM2000-293C	Magnetic Switch	5HP, 460V, 3Ph	1
94	PM2000-294	Strain Relief		2
	PM2000-294A	Strain Relief (for 5HP/1Ph only)		1
95	PM2000-295	Power Cord (for 3HP/1Ph)		1
	PM2000-295A	Power Cord (for 5HP/1Ph)		1
	PM2000-295B	Power Cord (for 5HP/3Ph)		1
96	PM2000-296	Motor Cord (for 3HP/1Ph)		1
	PM2000-296A	Motor Cord (for 5HP/1Ph)		1
	PM2000-296B	Motor Cord (for 5HP/3Ph)		1
97	TS-0270101	Set Screw	5/16-18x1-1/4	2
98	PM2000-298	Safety Key for Magnetic Switch		1
99	PM2000-299	Bearing Washer		2
100	BB-6805ZZ	Ball Bearing	6805ZZ	1
101	TS-0271091	Set Screw	3/8-16x1	1
102	TS-0254021	Button Head Socket Screw	1/4-20x1/2	2

# Trunnion & Motor Assembly

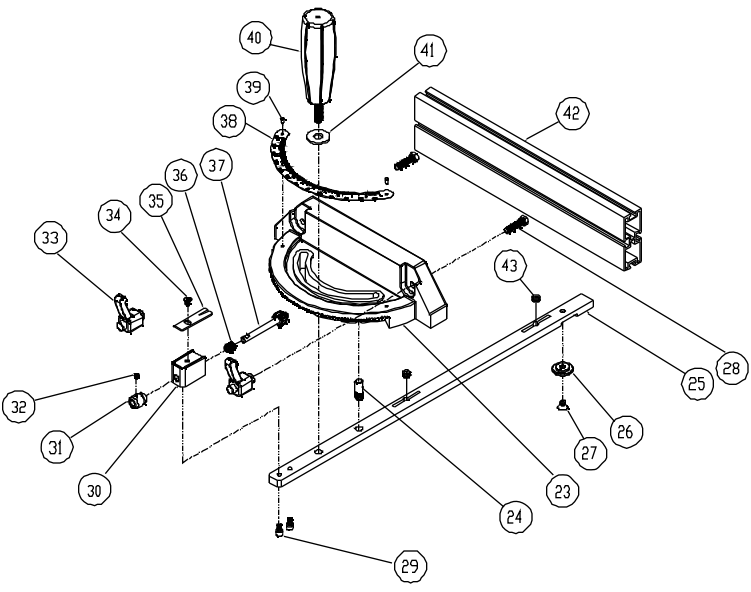
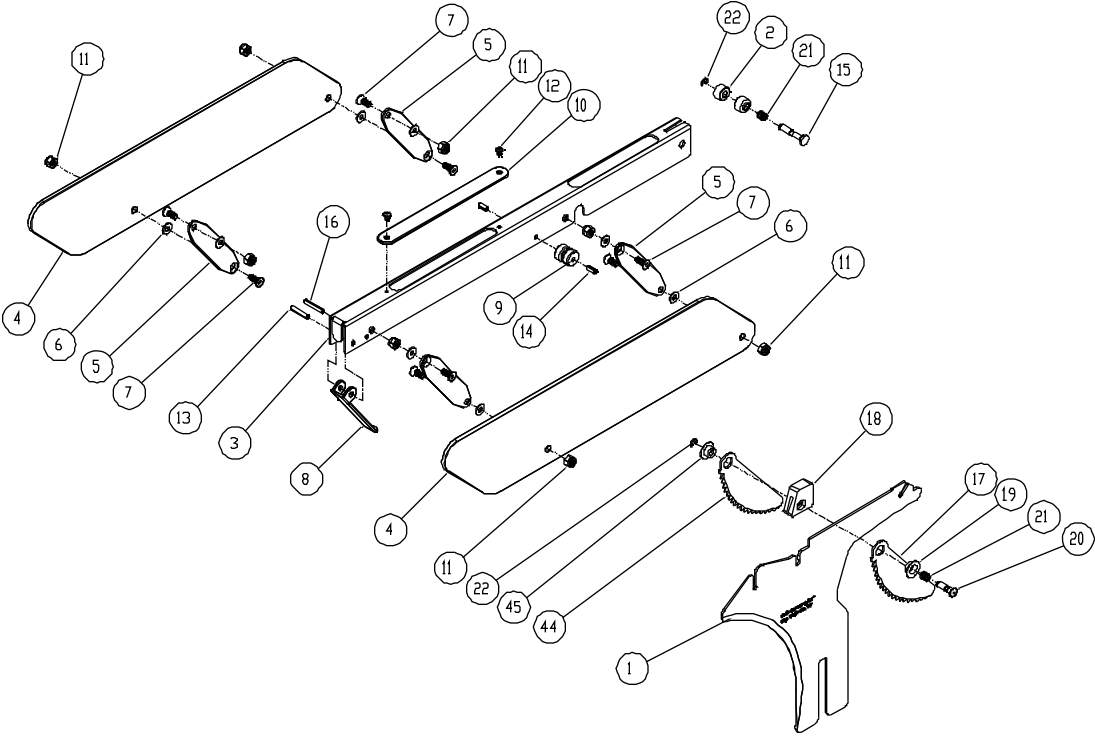




## Blade Guard & Miter Gauge Assembly Parts List

Index No.	Part No.	Description	Size	Qty
1	PM2000-301	Riving Knife		1
	PM2000-BGA	Blade Guard Assembly (Index #2 thru #16, #21, #22)		1
2	PM2000-302	Bushing		2
3	PM2000-303	Blade Guard Body		1
4	PM2000-304	Blade Guard Side Shield		2
5	PM2000-305	Linking Plate		4
6	TS-1550041	Flat Washer	M6	8
7	TS-1514021	Flat Head Socket Screw	M6x16	8
8	PM2000-308	Front Shield		1
9	PM2000-309	Bushing		1
10	PM2000-310	Top Sight Shield		1
11	TS-1541021	Nylon Insert Lock Nut	M6	8
12	TS-081B012	Pan Head Screw	#8-32x1/4	2
13	PM2000-313	Roll Pin	5x25	1
14	PM2000-314	Roll Pin	5x12	2
15	PM2000-315	Lock Pin		1
16	PM2000-316	Roll Pin	4x30	1
	PM2000-AKPA	Anti-Kickback Pawl Assembly (Index #17 thru #22, 44, 45)		1
17	PM2000-317	Right Anti-Kickback Pawl		1
18	PM2000-318	Pawl Base		1
19	PM2000-319	Right Flange		1
20	PM2000-320	Lock Pin		1
21	PM2000-321	Spring		2
22	PM2000-322	E-Clip		2
	1791789	Miter Gauge Assembly (Index #23 thru #43)		1
23	PM2000-323	Miter Gauge Body		1
24	PM2000-324	Pin		1
25	PM2000-325	Miter Bar		1
26	PM2000-326	Guide Washer		1
27	PM2000-327	Flat Head Machine Screw	M6x9	1
28	TS-0050051	Hex Cap Screw	1/4-20x1	2
29	PM2000-329	Socket Head Cap Screw	M5x8	2
30	PM2000-330	Support Base		1
31	PM2000-331	Knob		1
32	TS-1521011	Set Screw	M4x4	1
33	PM2000-333	Locking Handle		2
34	TS-0810012	Round Head Screw	#10-24x1/4	1
35	PM2000-335	Pointer		1
36	PM2000-336	Spring		1
37	PM2000-337	Gear Shaft		1
38	PM2000-338	Scale		1
39	PM2000-339	Rivet		2
40	PM2000-340	Handle		1
41	TS-0680031	Flat Washer	5/16	1
42	PM2000-342	Fence		1
43	PM2000-343	Set Screw	M8x6	2
44	PM2000-344	Left Anti-Kickback Pawl		1
45	PM2000-345	Left Flange		1
46	1791787	Low Profile Riving Knife (not shown)		1

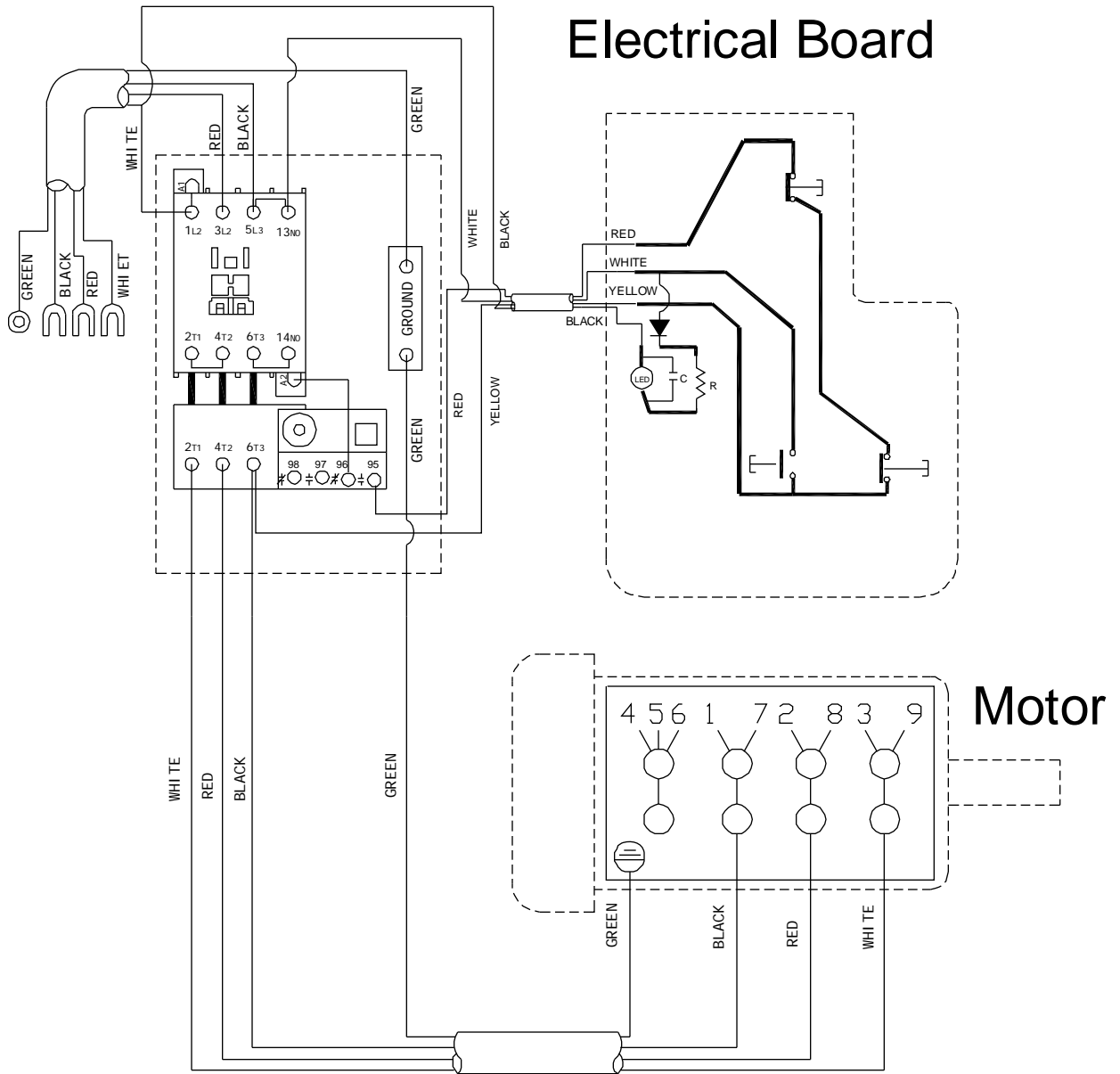
# Blade Guard & Miter Gauge Assembly



5HP, 230V, 3Phase

# Magnetic Switch

# Electrical Board



# 5HP, 460V, 3Phase

## Magnetic Switch

## Electrical Board

