

ILLUSTRATED PARTS LIST

MODEL NUMBER 1830HV

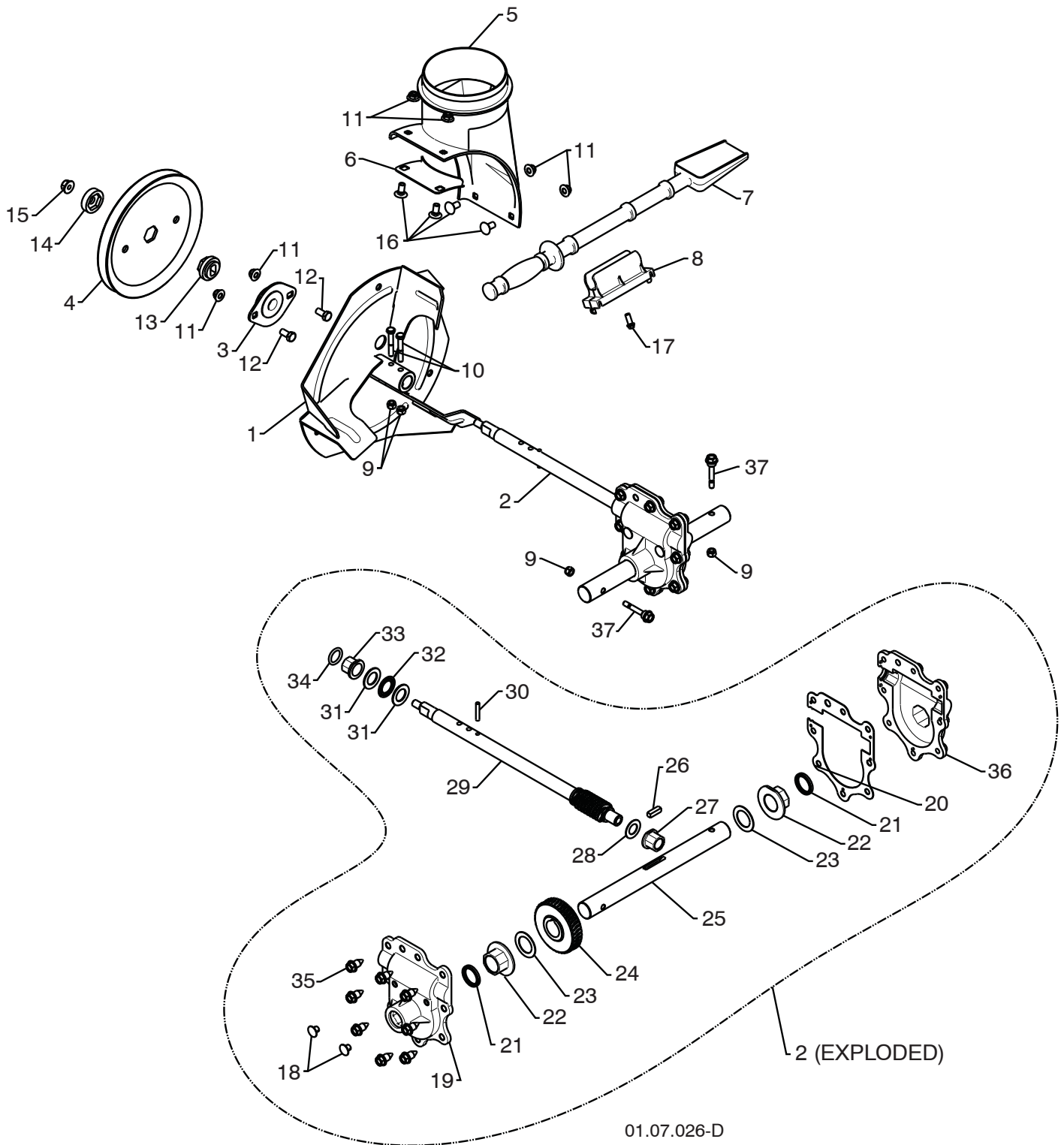
PRODUCT NUMBER 961 93 00-54

MFG. ID. NUMBER 96193005401

REPAIR PARTS

AUGER HOUSING / IMPELLER ASSEMBLY

SNOW THROWER - MODEL NO. 1830HV (96193005401), PRODUCT NO. 961 93 00-54



NOTE: All component dimensions given in U.S. inches. 1 inch = 25.4 mm
IMPORTANT: Use only Original Equipment Manufacturer (O.E.M.) replacement parts.
Failure to do so could be hazardous, damage your snow thrower and void your warranty.

REPAIR PARTS**AUGER HOUSING / IMPELLER ASSEMBLY****SNOW THROWER - MODEL NO. 1830HV (96193005401), PRODUCT NO. 961 93 00-54**

KEY NO.	PART NO.	DESCRIPTION
1	532 43 57-75	IMPELLER
2	532 42 71-48	GEARBOX ASSEMBLY
3	532 18 89-09	BEARING
4	532 42 71-46	IMPELLER PULLEY
5	532 17 53-22	DISCHARGE BASE
6	532 43 62-36	CORNER BRACKET
7	532 19 21-99	CLEAN OUT TOOL
8	532 40 54-00	TOOL CLIP
9	873 80 04-00	NUT 1/4-20
10	874 78 04-26	SCREW 1/4-20 X .625
11	532 42 79-42	NUT 5/16-18
12	532 16 31-83	SCREW 5/16-18 X .625
13	532 42 71-45	IMPELLER HUB
14	532 42 71-54	IMPELLER SLEEVE
15	873 90 06-00	NUT 3/8-16
16	532 18 03-55	CARRIAGE BOLT
17	532 19 41-89	SCREW 13-16 X .625
18	532 40 77-60	PLUG
19	532 42 73-02	GEARBOX COVER RH
20	532 42 73-45	GASKET
21	532 40 77-70	SEAL
22	532 40 77-62	BEARING
23	532 17 46-97	THRUST WASHER 1.00
24	532 40 77-63	WORM GEAR
25	532 40 77-64	AUGER SHAFT
26	532 18 92-82	SQUARE KEY
27	532 40 77-58	BEARING
28	532 17 46-83	THRUST WASHER
29	532 42 71-47	IMPELLER SHAFT
30	532 00 78-36	ROLL PIN
31	532 17 46-81	THRUST WASHER
32	532 17 46-84	THRUST BEARING
33	532 40 77-69	BEARING
34	532 40 77-68	O-RING
35	532 40 77-67	SCREW 5/16-18 X .750
36	532 42 73-17	GEARBOX COVER LH
37	532 19 20-90	SHEAR BOLT

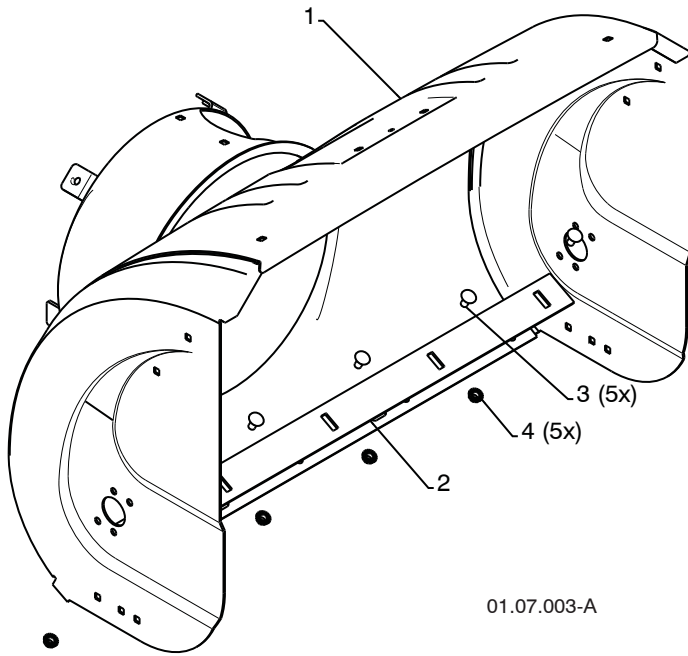
NOTE: All component dimensions given in U.S. inches. 1 inch = 25.4 mm

IMPORTANT: Use only Original Equipment Manufacturer (O.E.M.) replacement parts. Failure to do so could be hazardous, damage your snow thrower and void your warranty.

REPAIR PARTS

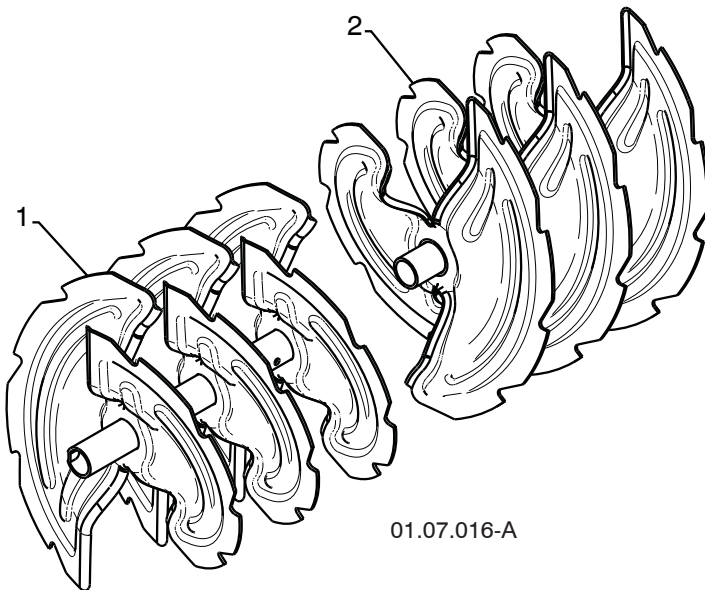
AUGER HOUSING / IMPELLER ASSEMBLY

SNOW THROWER - MODEL NO. 1830HV (96193005401), PRODUCT NO. 961 93 00-54



KEY NO.	PART NO.	DESCRIPTION
1	532 41 77-07	AUGER HOUSING
2	532 43 58-30	SCRAPER BAR
3	872 27 05-05	CARRIAGE BOLT 5/16-18 X .625
4	532 15 53-77	NUT 5/16-18

01.07.003-A



KEY NO.	PART NO.	DESCRIPTION
1	532 42 69-59	AUGER ASSEMBLY 30 LH
2	532 43 55-54	AUGER ASSEMBLY 30 RH

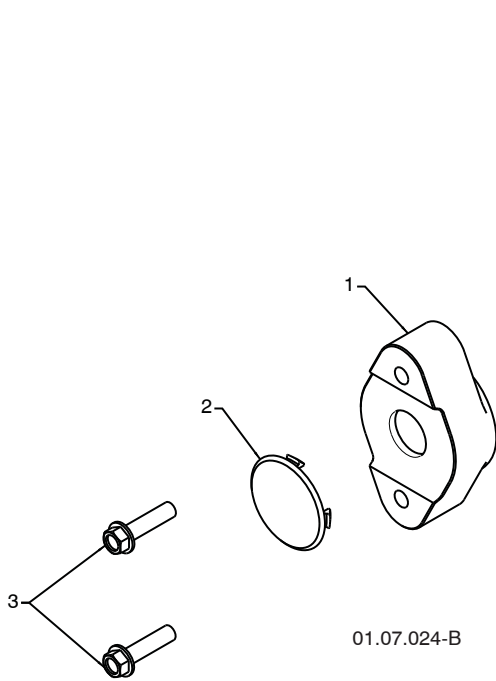
01.07.016-A

NOTE: All component dimensions given in U.S. inches. 1 inch = 25.4 mm
IMPORTANT: Use only Original Equipment Manufacturer (O.E.M.) replacement parts. Failure to do so could be hazardous, damage your snow thrower and void your warranty.

REPAIR PARTS

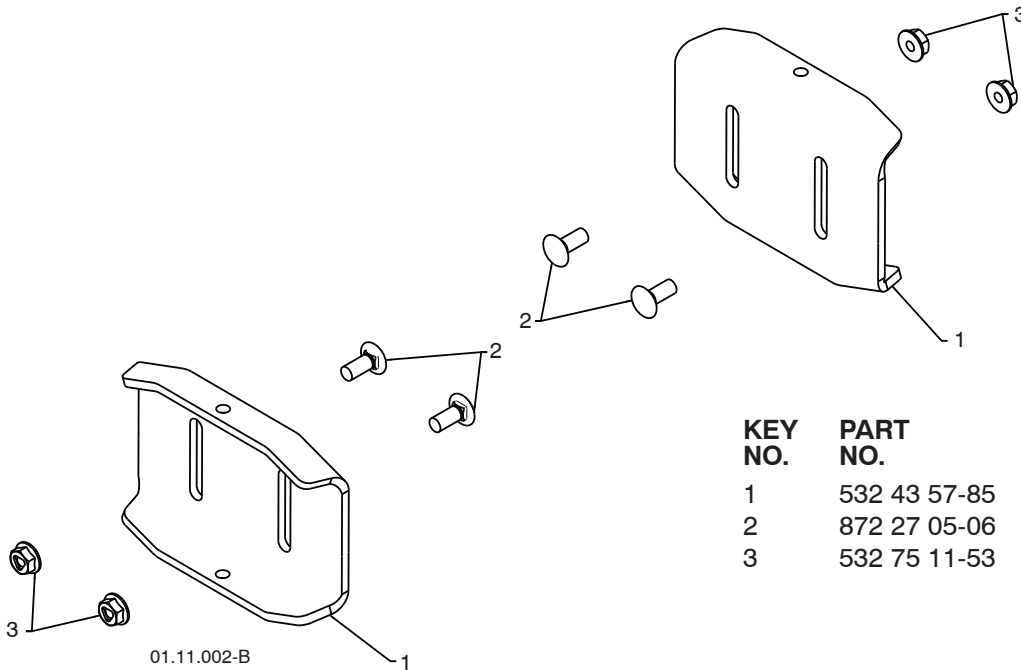
AUGER HOUSING / IMPELLER ASSEMBLY

SNOW THROWER - MODEL NO. 1830HV (96193005401), PRODUCT NO. 961 93 00-54



01.07.024-B

KEY NO.	PART NO.	DESCRIPTION
1	532 42 04-78	AUGER BEARING
2	532 41 19-39	BEARING PLUG
3	532 17 95-82	SCREW 5/16-18 X 1.00



01.11.002-B

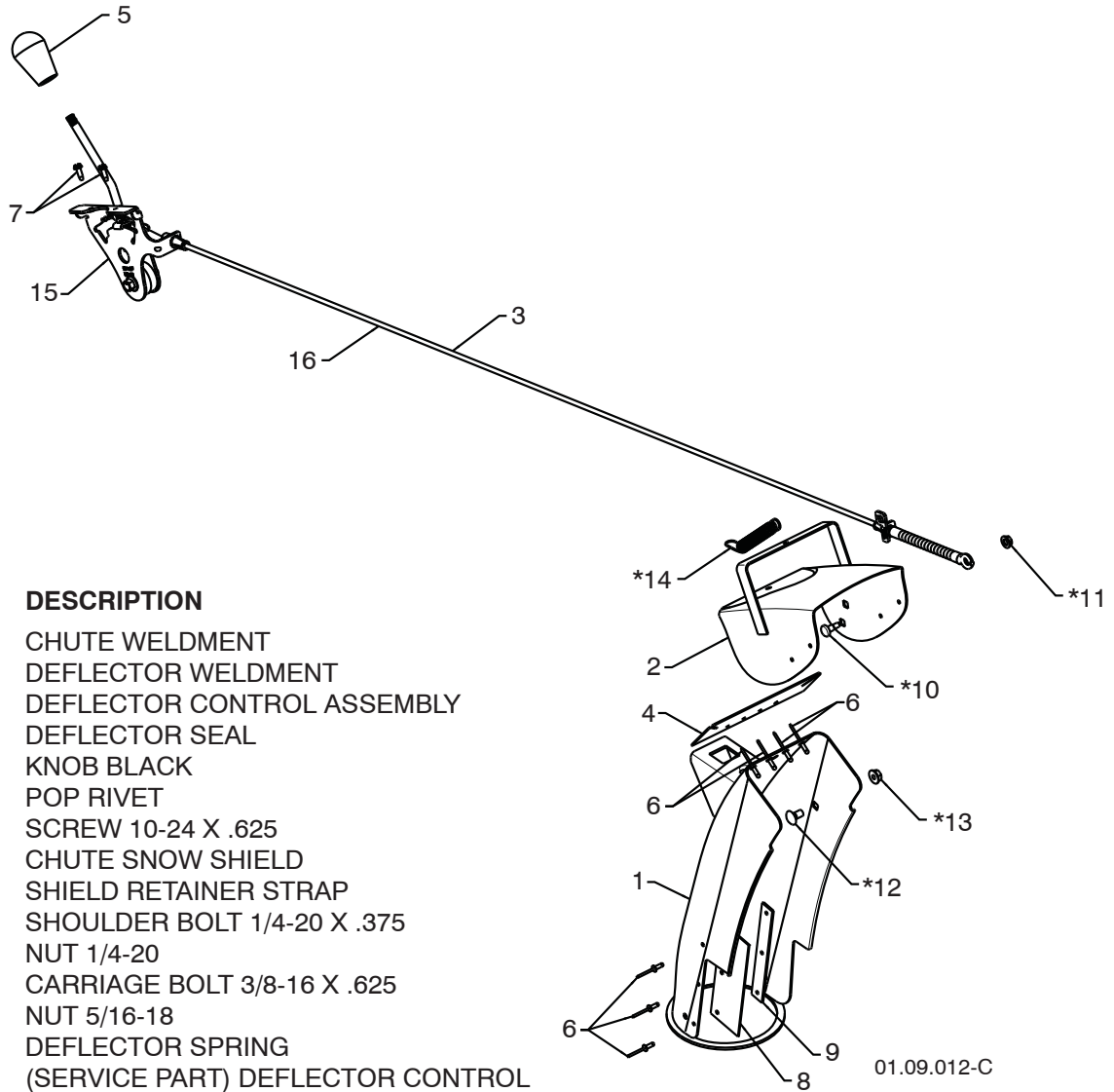
KEY NO.	PART NO.	DESCRIPTION
1	532 43 57-85	SKID PLATE
2	872 27 05-06	CARRIAGE BOLT 5/16-18 X .750
3	532 75 11-53	NUT 5/16-18

NOTE: All component dimensions given in U.S. inches. 1 inch = 25.4 mm
IMPORTANT: Use only Original Equipment Manufacturer (O.E.M.) replacement parts.
 Failure to do so could be hazardous, damage your snow thrower and void your warranty.

REPAIR PARTS

CONTROL PANEL / DISCHARGE CHUTE

SNOW THROWER - MODEL NO. 1830HV (96193005401), PRODUCT NO. 961 93 00-54



KEY NO.	PART NO.	DESCRIPTION
1	532 43 57-91	CHUTE WELDMENT
2	532 18 41-13	DEFLECTOR WELDMENT
3	532 42 11-63	DEFLECTOR CONTROL ASSEMBLY
4	532 42 03-25	DEFLECTOR SEAL
5	532 41 42-80	KNOB BLACK
6	532 12 84-15	POP RIVET
7	817 50 10-10	SCREW 10-24 X .625
8	532 43 03-24	CHUTE SNOW SHIELD
9	532 43 57-76	SHIELD RETAINER STRAP
*10	532 17 98-29	SHOULDER BOLT 1/4-20 X .375
*11	532 19 17-30	NUT 1/4-20
*12	872 25 05-05	CARRIAGE BOLT 3/8-16 X .625
*13	532 75 11-53	NUT 5/16-18
*14	532 18 45-05	DEFLECTOR SPRING
15	532 42 06-79	(SERVICE PART) DEFLECTOR CONTROL
16	532 42 11-64	(SERVICE PART) DEFLECTOR CABLE GRAY

NOTE:

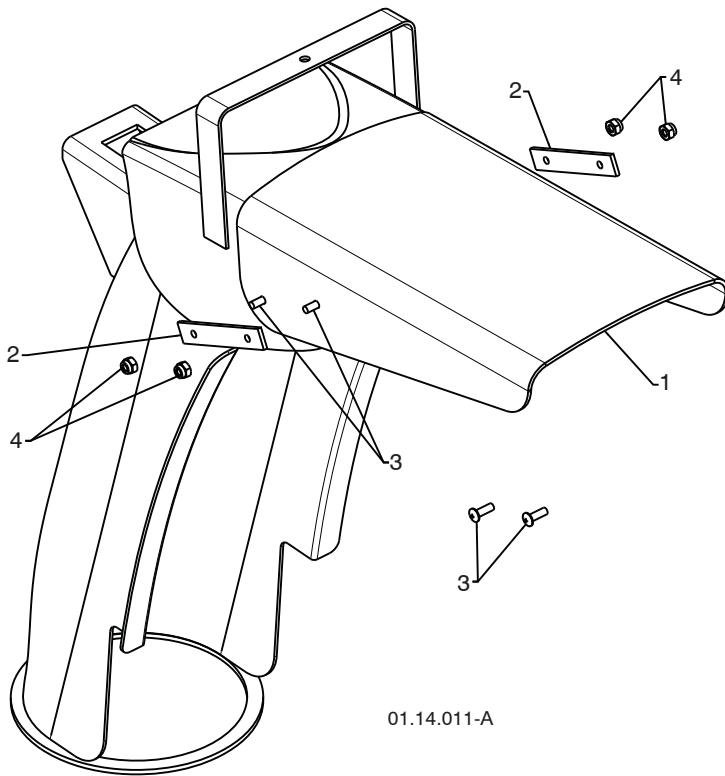
1. ALL ITEMS INDICATED WITH AN * ARE PROVIDED IN THE BAG OF ITEMS SHIPPED LOOSE WITH PRODUCT.
2. ITEMS 15 AND 16 ARE SERVICE PART NUMBERS TO ALLOW PURCHASE OF INDIVIDUAL ITEMS IF NECESSARY.

NOTE: All component dimensions given in U.S. inches. 1 inch = 25.4 mm
IMPORTANT: Use only Original Equipment Manufacturer (O.E.M.) replacement parts.
 Failure to do so could be hazardous, damage your snow thrower and void your warranty.

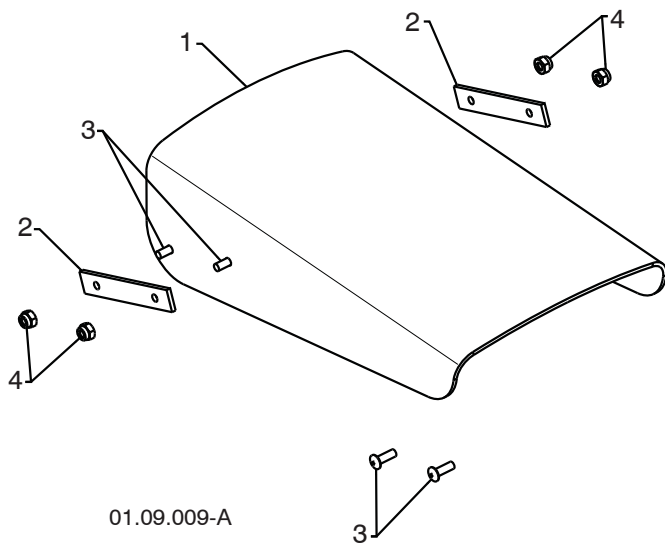
REPAIR PARTS

CONTROL PANEL / DISCHARGE CHUTE

SNOW THROWER - MODEL NO. 1830HV (96193005401), PRODUCT NO. 961 93 00-54



KEY NO.	PART NO.	DESCRIPTION
1	532 42 11-38	SHIELD DEFLECTOR
2	532 43 58-31	STRAP
3	532 18 22-27	SCREW 8-32 X .50
4	532 18 22-28	NUT 8-32



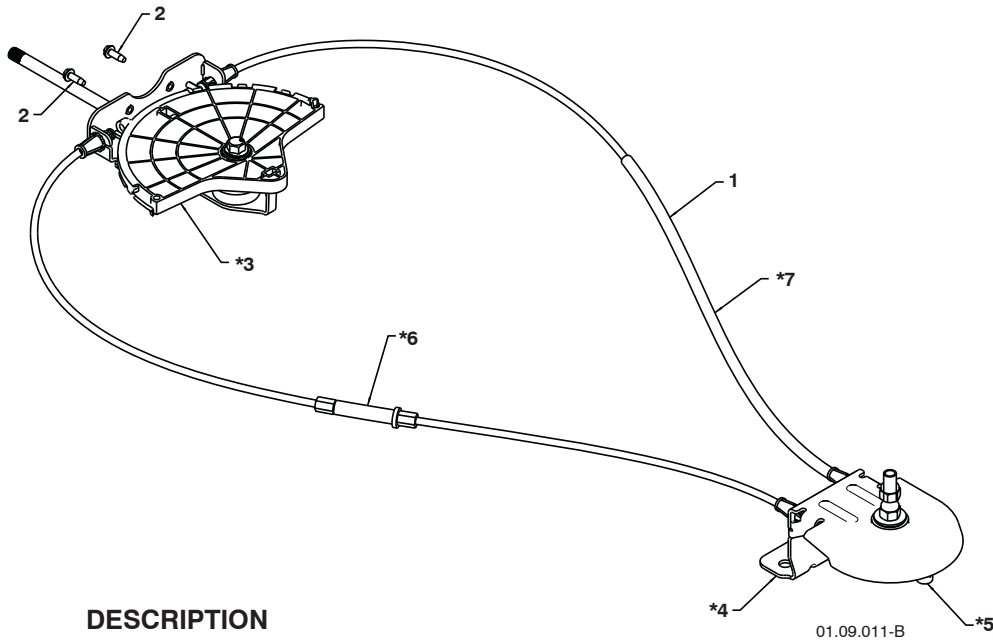
KEY NO.	PART NO.	DESCRIPTION
1	532 42 11-38	SHIELD DEFLECTOR
2	532 43 58-31	STRAP
3	532 18 22-27	SCREW 8-32 X .50
4	532 18 22-28	NUT 8-32

NOTE: All component dimensions given in U.S. inches. 1 inch = 25.4 mm
IMPORTANT: Use only Original Equipment Manufacturer (O.E.M.) replacement parts.
 Failure to do so could be hazardous, damage your snow thrower and void your warranty.

REPAIR PARTS

CONTROL PANEL / DISCHARGE CHUTE

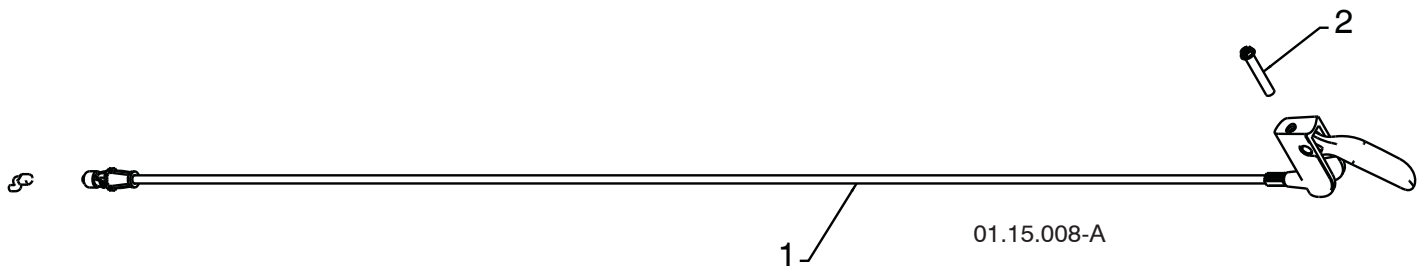
SNOW THROWER - MODEL NO. 1830HV (96193005401), PRODUCT NO. 961 93 00-54



KEY NO.	PART NO.	DESCRIPTION
1	532 42 82-74	LEVER/CABLE ROTATOR ASSEMBLY
2	817 50 10-10	SCREW 10-24 X .625
*3	532 42 06-78	ROTATOR HEAD
*4	532 42 28-23	ROTATOR PIVOT BRACKET
*5	532 42 06-75	PULLEY PIVOT
*6	532 42 82-75	CABLE ASSEMBLY ADJUSTABLE GRAY
*7	532 42 83-11	CABLE ASSEMBLY HEAT SHIELD GRAY

NOTES:

1. ITEMS INDICATED WITH AN * ARE LISTED AS REFERENCE FOR SERVICE PARTS ONLY.



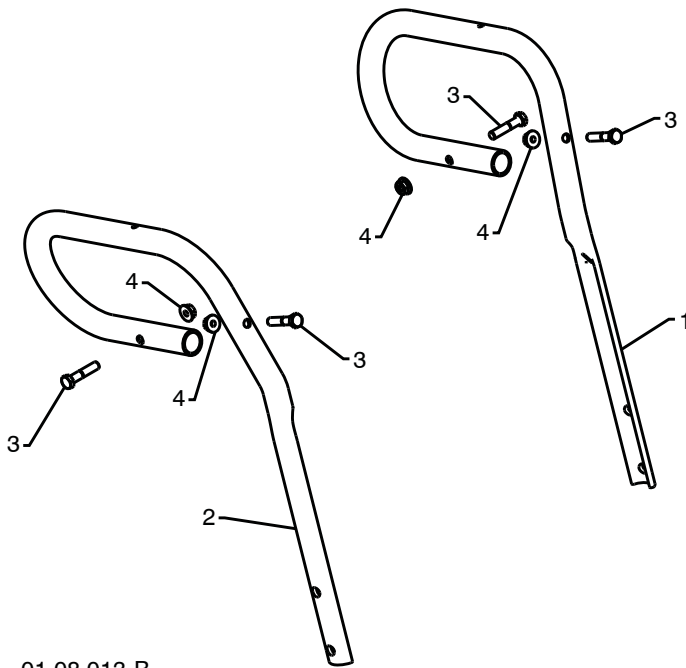
KEY NO.	PART NO.	DESCRIPTION
1	532 42 12-31	STEER CABLE
2	874 04 10-24	SCREW 10-24 X 1.50

NOTE: All component dimensions given in U.S. inches. 1 inch = 25.4 mm
IMPORTANT: Use only Original Equipment Manufacturer (O.E.M.) replacement parts. Failure to do so could be hazardous, damage your snow thrower and void your warranty.

REPAIR PARTS

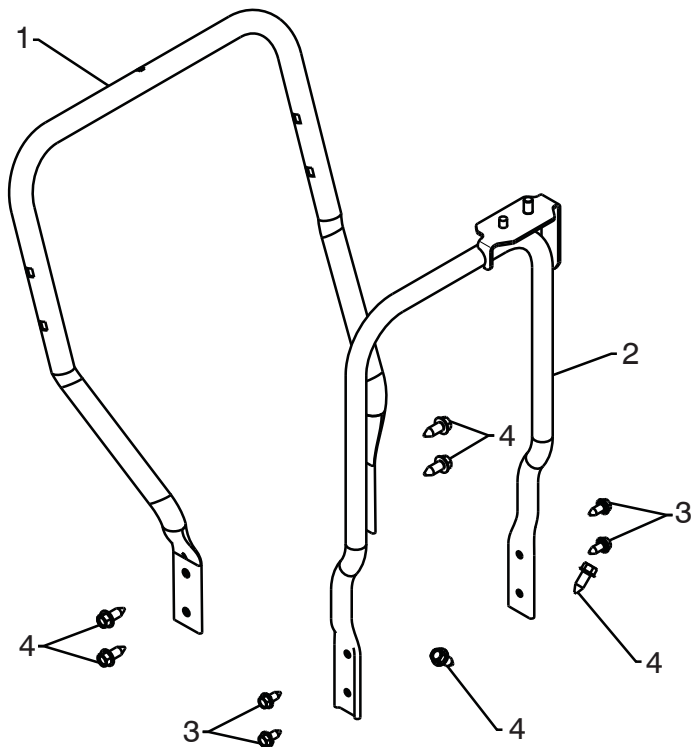
HANDLES

SNOW THROWER - MODEL NO. 1830HV (96193005401), PRODUCT NO. 961 93 00-54



KEY NO.	PART NO.	DESCRIPTION
1	532 42 95-88	LOOP HANDLE LH
2	532 42 95-89	LOOP HANDLE RH
3	874 78 05-24	SCREW 5/16-18 X 1.50
4	532 75 11-53	NUT 5/16-18

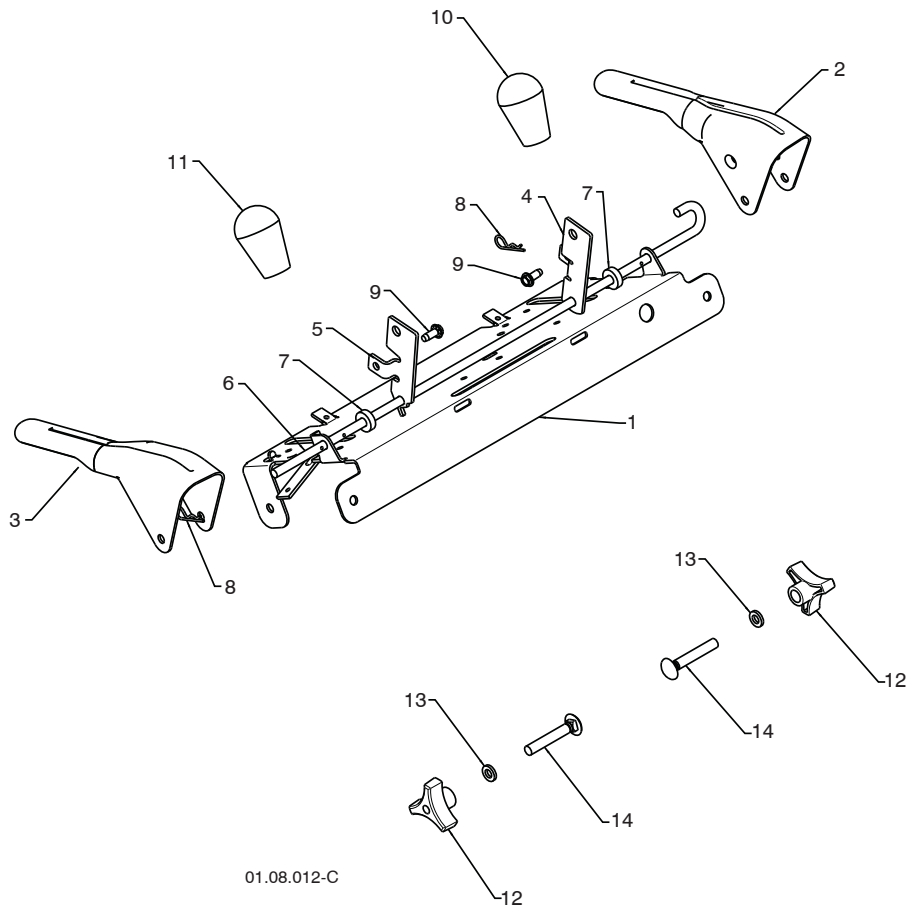
01.08.013-B



KEY NO.	PART NO.	DESCRIPTION
1	532 43 60-63	LOWER HANDLE
2	532 43 58-03	PIVOT SUPPORT
3	532 42 88-67	BOLT 5/16-18 X .750
4	817 00 06-16	SCREW 3/8-16 X 1.00

01.05.015-A

NOTE: All component dimensions given in U.S. inches. 1 inch = 25.4 mm
IMPORTANT: Use only Original Equipment Manufacturer (O.E.M.) replacement parts.
 Failure to do so could be hazardous, damage your snow thrower and void your warranty.



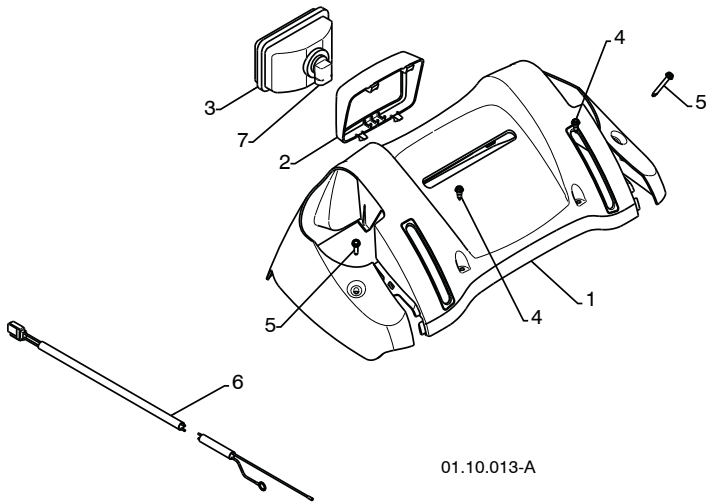
KEY NO.	PART NO.	DESCRIPTION
1	532 43 58-04	CONTROL PANEL
2	532 42 91-50	CONTROL LEVER LH
3	532 42 91-51	CONTROL LEVER RH
4	532 41 55-46	TRACTION ROD ARM
5	532 42 90-98	IMPELLER ROD ARM
6	532 41 26-77	INTERLOCK ROD
7	532 42 16-13	SPACER
8	532 16 96-75	RETAINER
9	817 06 04-10	SCREW 1/4-20 X .62
10	532 41 42-80	KNOB BLACK
11	532 41 42-81	KNOB RED
12	532 17 88-99	HANDLE KNOB
13	819 13 13-16	WASHER 3/8
14	872 12 06-18	CARRIAGE BOLT 3/8-16 X 2.25

NOTE: All component dimensions given in U.S. inches. 1 inch = 25.4 mm
IMPORTANT: Use only Original Equipment Manufacturer (O.E.M.) replacement parts. Failure to do so could be hazardous, damage your snow thrower and void your warranty.

REPAIR PARTS

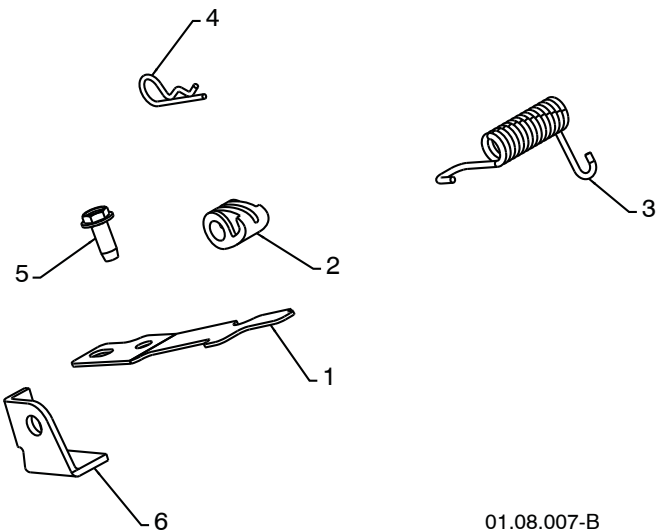
HANDLES

SNOW THROWER - MODEL NO. 1830HV (96193005401), PRODUCT NO. 961 93 00-54



01.10.013-A

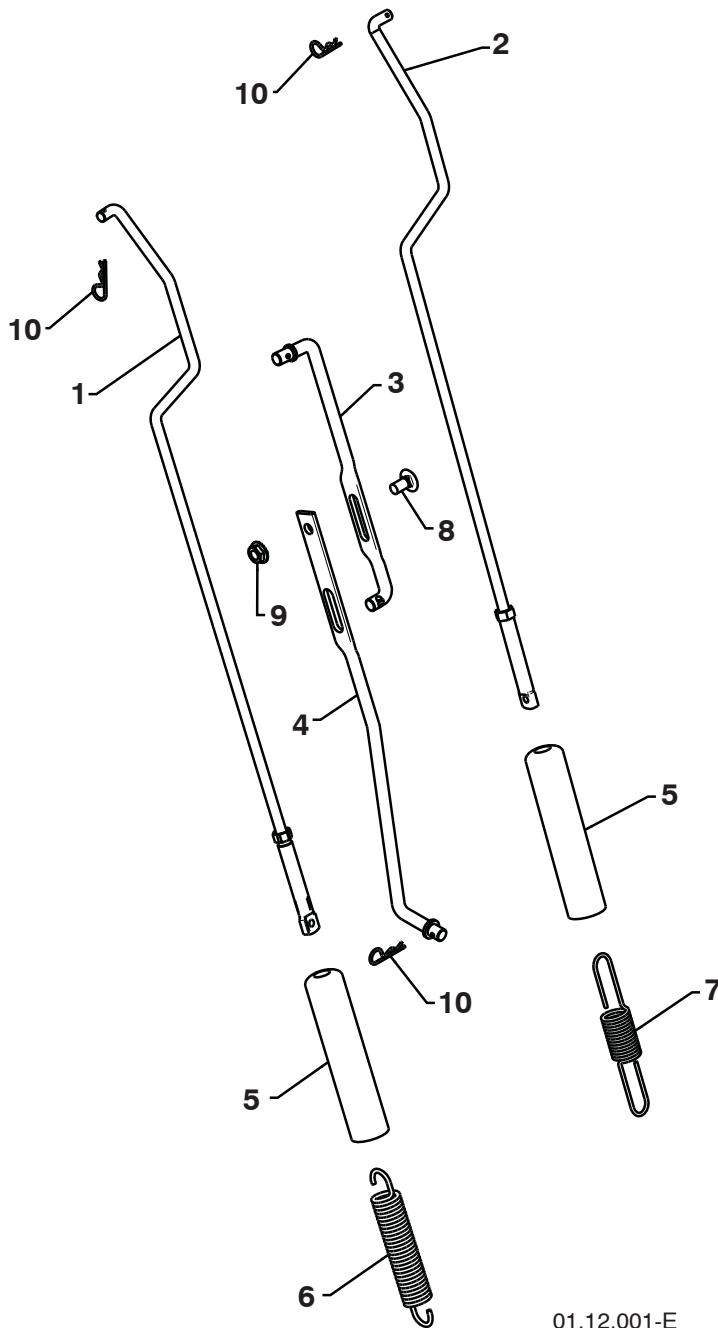
KEY NO.	PART NO.	DESCRIPTION
1	532 42 13-82	PANEL CONSOLE GRAY
2	532 42 14-48	HEADLIGHT BEZEL GRAY
3	532 17 86-66	HALOGEN HEADLIGHT
4	532 18 44-71	SHOULDER SCREW
5	532 17 52-62	SCREW 10-24 X 1.25
6	532 18 09-64	WIRE HARNESS
7	532 40 16-20	BULB



01.08.007-B

KEY NO.	PART NO.	DESCRIPTION
1	532 41 26-75	INTERLOCK SPRING
2	532 41 45-72	INTERLOCK CAM
3	532 17 88-31	TORSION SPRING
4	532 43 58-06	RETAINER
5	817 06 04-10	SCREW 1/4-20 X .625
6	532 43 58-05	INTERLOCK STOP

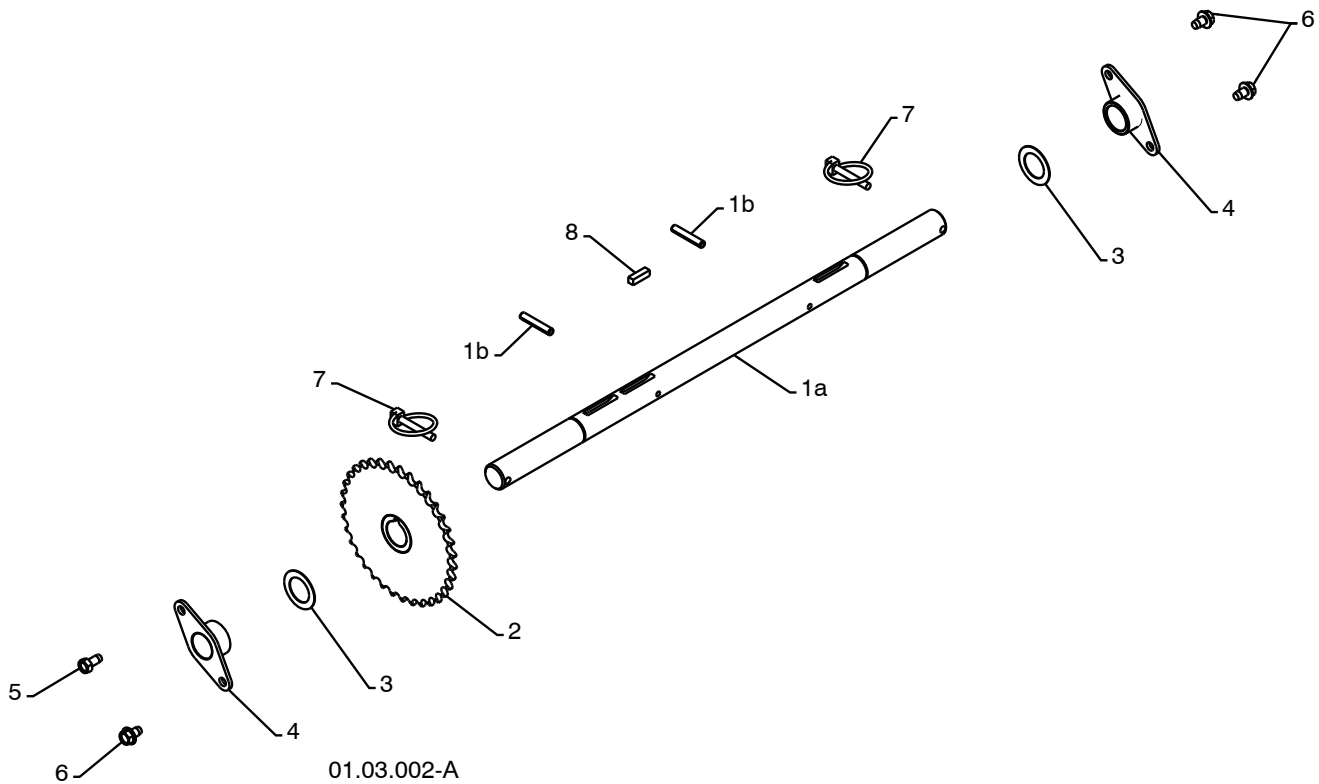
NOTE: All component dimensions given in U.S. inches. 1 inch = 25.4 mm
IMPORTANT: Use only Original Equipment Manufacturer (O.E.M.) replacement parts.
 Failure to do so could be hazardous, damage your snow thrower and void your warranty.



KEY NO.	PART NO.	DESCRIPTION
1	532 18 04-80	IMPELLER ROD ASSEMBLY
2	532 40 57-40	TRACTION ROD ASSEMBLY
3	532 18 04-45	SHIFTER ROD TOP
4	532 18 77-16	SHIFTER ROD BOTTOM
5	532 18 04-47	SPRING SLEEVE
6	532 17 86-69	IMPELLER SPRING
7	532 18 09-26	TRACTION SPRING
8	872 27 05-05	CARRIAGE BOLT 5/16-18 X .75
9	532 15 53-77	NUT 5/16-18
10	532 16 96-75	RETAINER

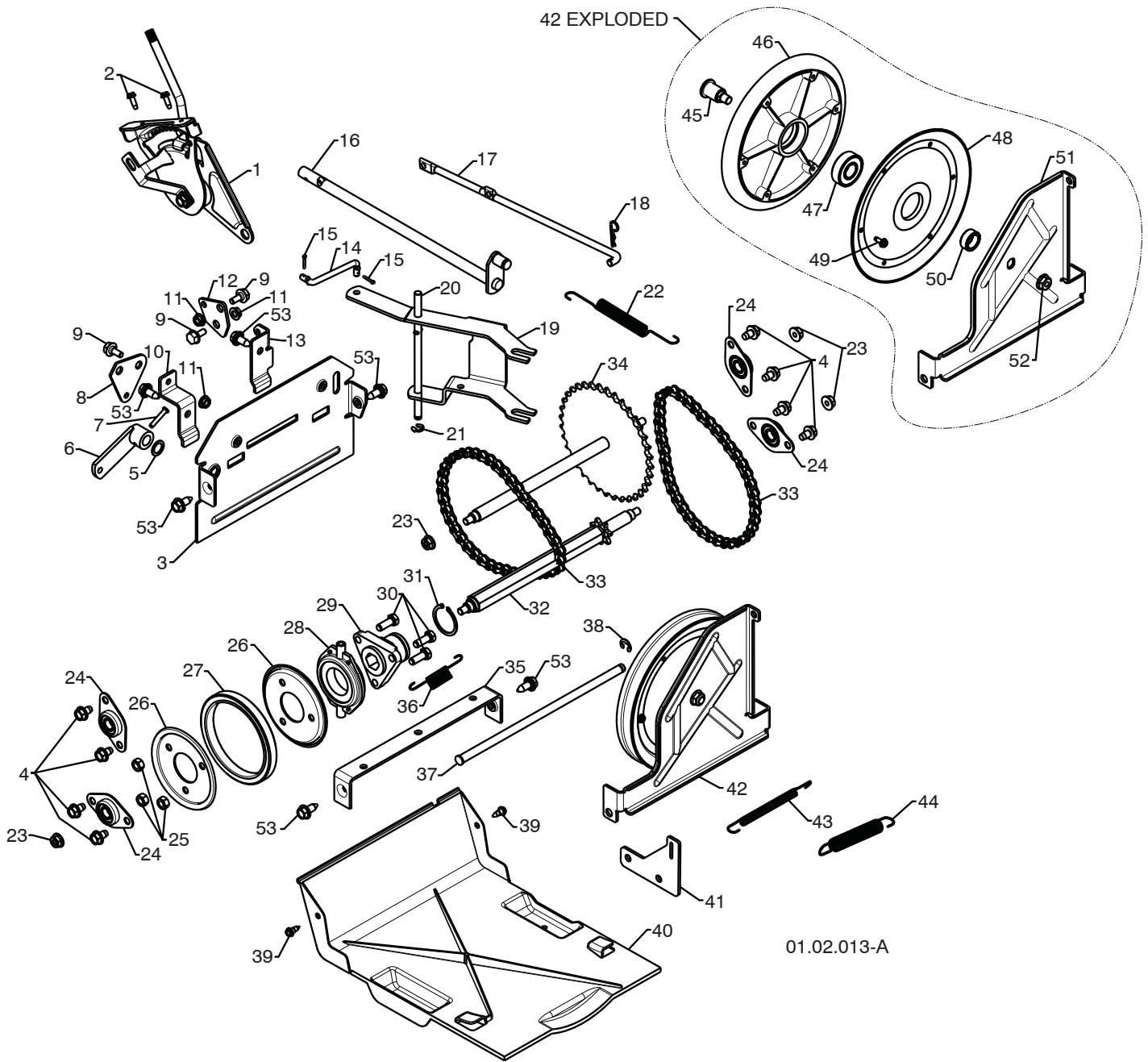
01.12.001-E

NOTE: All component dimensions given in U.S. inches. 1 inch = 25.4 mm
IMPORTANT: Use only Original Equipment Manufacturer (O.E.M.) replacement parts.
 Failure to do so could be hazardous, damage your snow thrower and void your warranty.



KEY NO.	PART NO.	DESCRIPTION
1	532 40 49-23	AXLE ASSEMBLY (assy of 1a,1b)
1a	532 40 43-07	AXLE SHAFT
1b	532 18 42-06	ROLL PIN 3/16 X 1.50
2	532 40 26-91	SPROCKET
3	532 17 46-97	THRUST WASHER
4	532 17 98-30	BEARING
5	532 14 63-15	SCREW 5/16-18 X .625
6	817 49 05-08	SCREW 5/16-18 X .500
7	532 15 54-43	KLIK PIN 1/4 X 1.50
8	532 18 92-82	SQUARE KEY

NOTE: All component dimensions given in U.S. inches. 1 inch = 25.4 mm
IMPORTANT: Use only Original Equipment Manufacturer (O.E.M.) replacement parts.
 Failure to do so could be hazardous, damage your snow thrower and void your warranty.



01.02.013-A

NOTE: All component dimensions given in U.S. inches. 1 inch = 25.4 mm
IMPORTANT: Use only Original Equipment Manufacturer (O.E.M.) replacement parts.
 Failure to do so could be hazardous, damage your snow thrower and void your warranty.

REPAIR PARTS**DRIVE****SNOW THROWER - MODEL NO. 1830HV (96193005401), PRODUCT NO. 961 93 00-54**

KEY NO.	PART NO.	DESCRIPTION	KEY NO.	PART NO.	DESCRIPTION
1	532 19 88-75	SPEED SELECTOR ASSEMBLY	27	532 17 98-31	RUBBER RING
2	817 50 10-10	SCREW 10-24 X .625	28	532 17 53-44	BEARING
3	532 43 60-80	END PLATE	29	532 17 86-13	WHEEL HUB
4	817 49 05-08	SCREW 5/16-18 X .50	30	874 76 05-14	SCREW 5/16-18-.875
5	853 25 70-79	WASHER	31	812 00 00-12	RETAINER RING
6	532 40 54-85	CONTROL ARM	32	532 40 21-87	SPROCKET SHAFT
7	532 19 85-80	CLEVIS PIN	33	532 40 16-19	CHAIN
8	532 43 70-81	SHIFTER PLATE	34	532 41 72-34	SPROCKET WELDMENT
9	532 40 28-81	SHOULDER BOLT	35	532 43 59-55	SHIFTER BRACKET
10	532 43 57-95	SHIFTER BRACKET	36	532 18 01-35	SPRING
11	532 19 17-30	NUT 1/4-20	37	532 40 26-52	PLATE PIVOT ROD
12	532 43 70-80	CLUTCH PLATE	38	532 42 82-88	E-RING .375
13	532 43 57-96	CLUTCH BRACKET	39	532 18 44-71	SHOULDER SCREW
14	532 18 71-01	SHIFTER LINK	40	532 41 08-77	BOTTOM PAN
15	532 70 02-79	RETAINER	41	532 43 57-72	SPRING BRACKET
16	532 42 75-42	CONTROL SHAFT	42	532 40 26-89	DRIVE PLATE ASSEMBLY
17	532 40 25-68	CLUTCH ROD	43	532 41 45-57	IDLER SPRING
18	532 16 96-75	RETAINER	44	532 17 88-28	IDLER SPRING
19	532 40 17-32	SHIFTER YOKE	45	532 40 25-04	PULLEY SHAFT
20	532 40 23-10	PIVOT ROD	46	532 40 18-20	DRIVE PLATE
21	812 00 00-36	RETAINER	47	532 19 87-91	BEARING
22	532 40 28-78	RETURN SPRING	48	532 40 23-93	PULLEY HALF
23	532 75 11-53	NUT 5/16-18	49	817 54 10-08	SCREW 10-24 X .50
24	532 40 89-81	BEARING	50	532 40 25-11	SPACER BEARING
25	873 93 05-00	NUT 5/16-18	51	532 43 59-53	SWING PLATE
26	532 43 57-89	RUBBER WHEEL PLATE	52	532 13 20-10	NUT 3/8-16
			53	532 42 88-67	SCREW 5/16-18 X .750

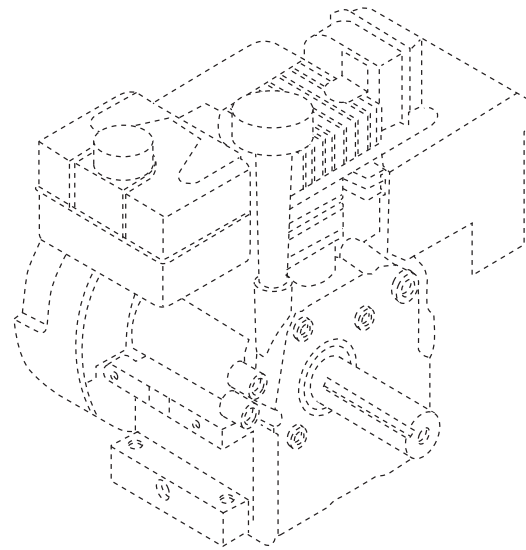
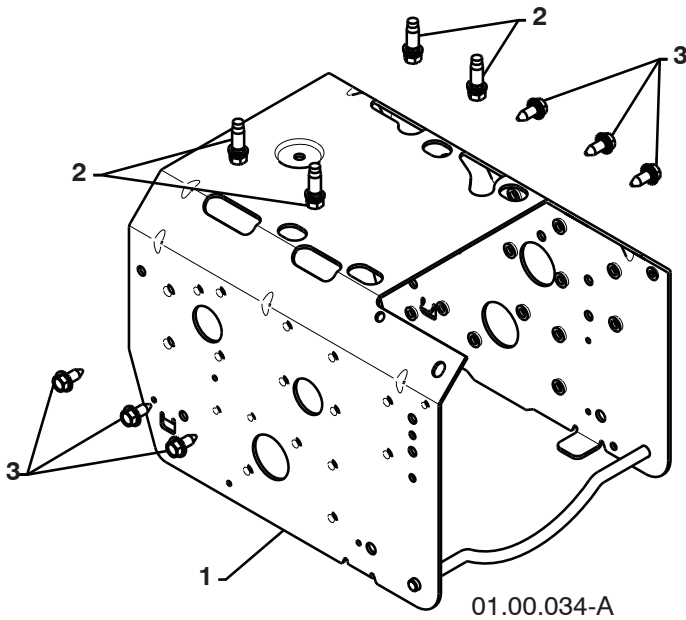
NOTE: All component dimensions given in U.S. inches. 1 inch = 25.4 mm

IMPORTANT: Use only Original Equipment Manufacturer (O.E.M.) replacement parts. Failure to do so could be hazardous, damage your snow thrower and void your warranty.

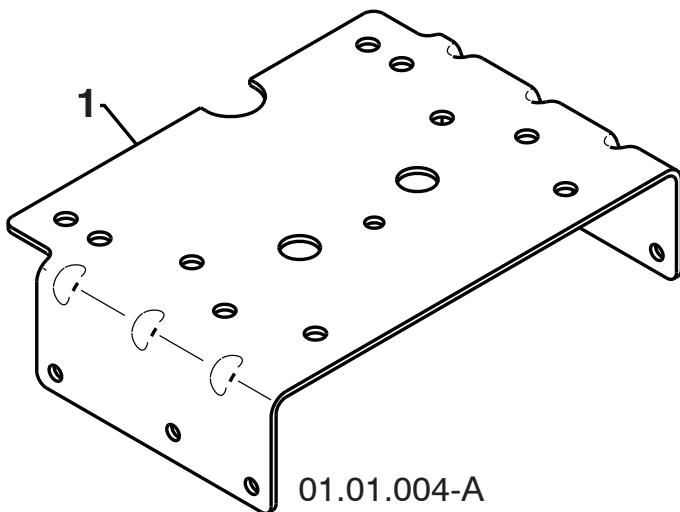
REPAIR PARTS

CHASSIS / ENGINE / PULLEYS

SNOW THROWER - MODEL NO. 1830HV (96193005401), PRODUCT NO. 961 93 00-54



KEY NO.	PART NO.	DESCRIPTION
--	532 43 62-64	ENGINE
1	532 43 59-52	FRAME
2	532 15 04-06	BOLT 3/8-16
3	532 42 88-67	SCREW 5/16-18 X .750



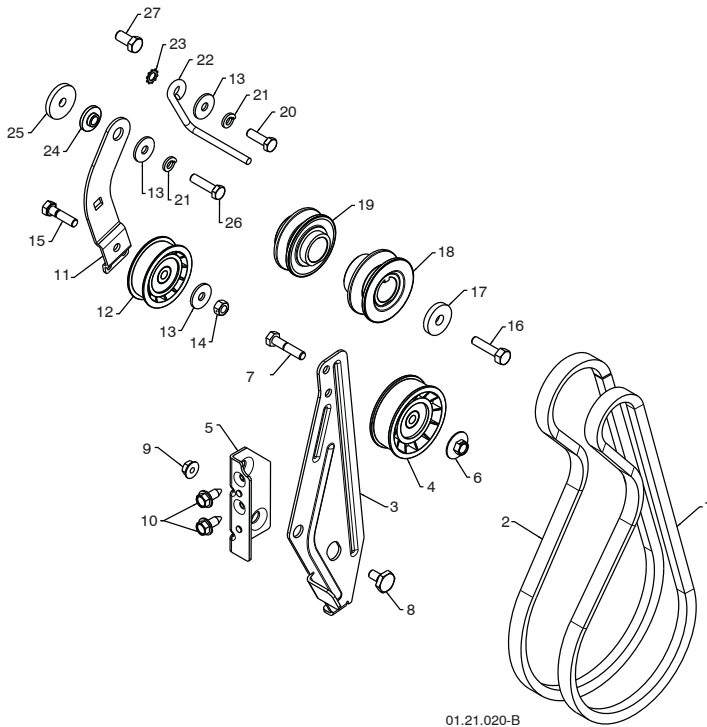
KEY NO.	PART NO.	DESCRIPTION
1	532 42 92-69	ENGINE MOUNTING PLATE

NOTE: All component dimensions given in U.S. inches. 1 inch = 25.4 mm
IMPORTANT: Use only Original Equipment Manufacturer (O.E.M.) replacement parts.
 Failure to do so could be hazardous, damage your snow thrower and void your warranty.

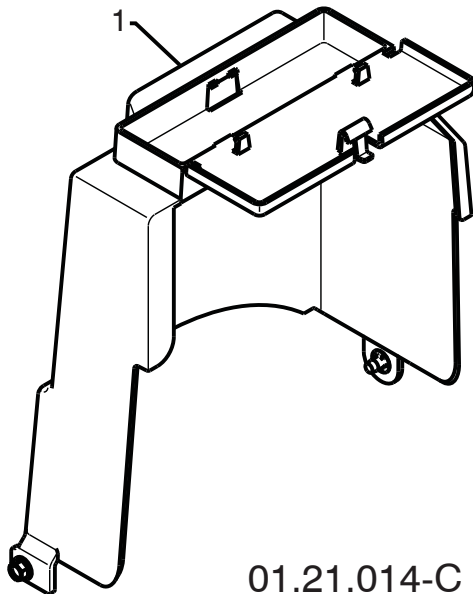
REPAIR PARTS

CHASSIS / ENGINE / PULLEYS

SNOW THROWER - MODEL NO. 1830HV (96193005401), PRODUCT NO. 961 93 00-54

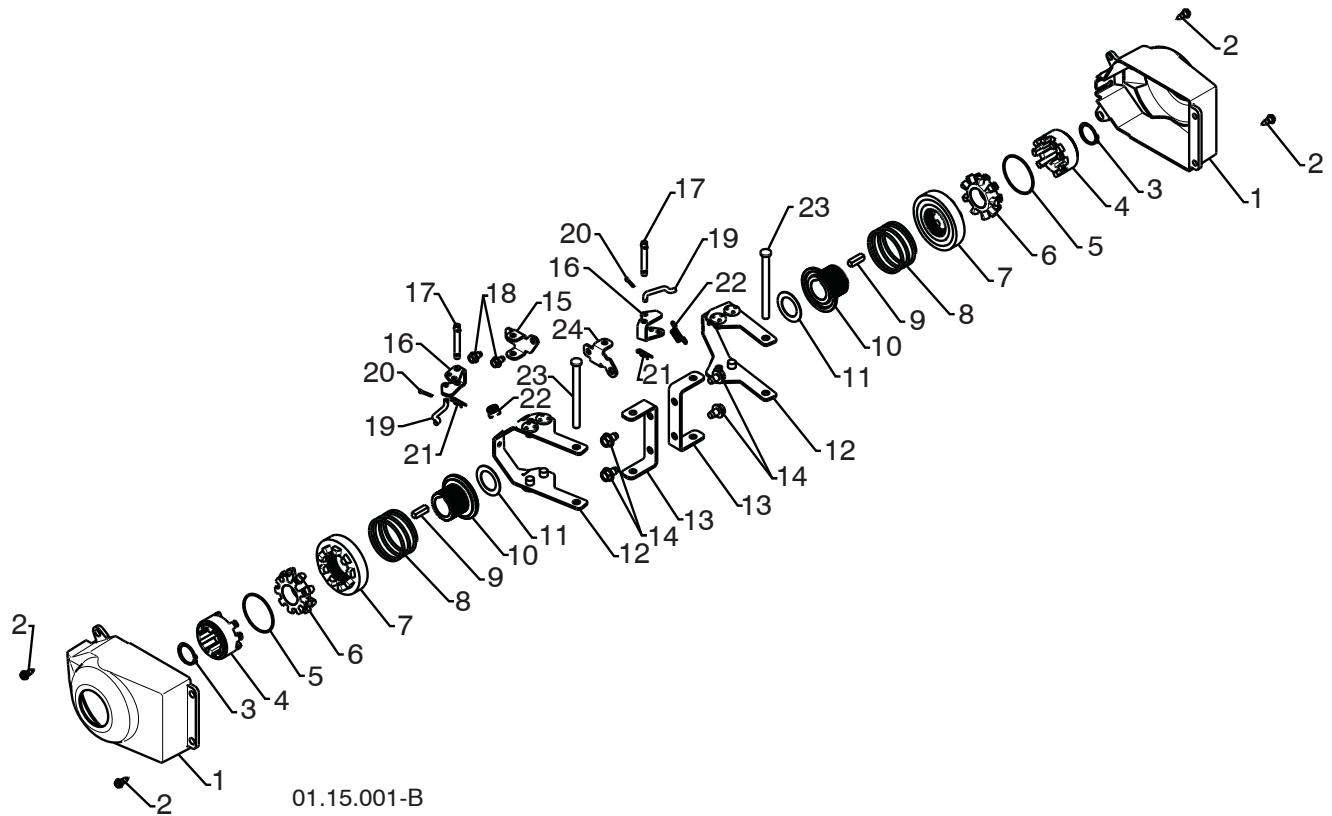


KEY NO.	PART NO.	DESCRIPTION
1	532 41 98-88	IMPELLER BELT
2	532 42 73-04	TRACTION BELT
3	532 43 58-02	IDLER ARM BRACKET
4	532 18 05-23	IDLER PULLEY
5	532 43 58-01	IDLER BRACKET
6	532 42 65-89	NUT 5/16-18
7	874 78 05-24	SCREW 5/16-18 X 1.50
8	532 42 42-97	SHOULDER BOLT 5/16-18 X .50
9	532 75 11-53	NUT 5/16-18 LOCK
10	532 42 88-67	SCREW 5/16-18 X .625
11	532 42 75-76	TRACTION IDLER BRACKET
12	532 18 05-22	TRACTION PULLEY
13	853 25 92-89	WASHER
14	873 80 05-00	NUT 5/16-18
15	874 78 05-20	SCREW 5/16-18 X 1.25
16	532 85 10-84	SCREW 3/8-24 X 1 .375
17	819 13 20-05	WASHER
18	532 42 59-34	PULLEY ENG IMPELLER
19	532 42 59-33	PULLEY ENG TRACTION
20	874 61 05-16	SCREW 5/16-24 X 1.00
21	810 04 05-00	LOCKWASHER 5/16
22	532 15 54-52	BELT GUIDE
23	811 05 05-00	LOCKWASHER 5/16
24	532 17 53-31	IDLER BUSHING
25	819 11 22-06	WASHER
26	874 61 05-20	SCREW 5/16-24 X 1.25
27	874 76 06-08	SCREW 3/8-16 X .750



KEY NO.	PART NO.	DESCRIPTION
1	532 42 86-85	COVER ASSEMBLY

NOTE: All component dimensions given in U.S. inches. 1 inch = 25.4 mm
IMPORTANT: Use only Original Equipment Manufacturer (O.E.M.) replacement parts.
 Failure to do so could be hazardous, damage your snow thrower and void your warranty.



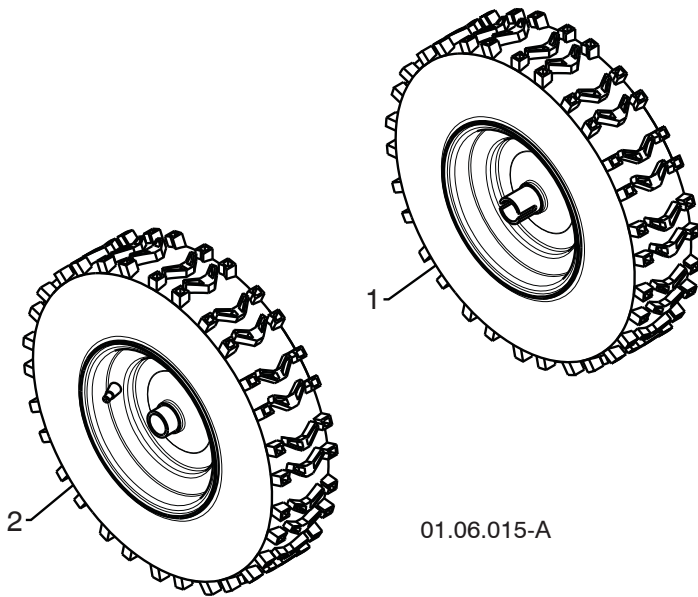
KEY NO.	PART NO.	DESCRIPTION	KEY NO.	PART NO.	DESCRIPTION
1	532 40 51-61	COVER	13	532 43 58-23	STEERING BRACKET
2	532 18 44-71	SHOULDER SCREW	14	817 49 05-08	SCREW 5/16-18 X .50
3	812 00 00-45	RETAINER RING	15	532 19 95-11	PIVOT BRACKET
4	532 19 21-26	WHEEL DRIVER	16	532 19 95-18	BELLCRANK
5	532 18 24-66	RETAINER RING	17	532 18 18-47	BELLCRANK PIN
6	532 18 76-22	WHEEL LOBE	18	817 60 04-06	SCREW 1/4-20 X .375
7	532 19 49-41	CLUTCH SLIDE	19	532 40 50-77	STEERING LINK
8	532 17 91-39	SPRING	20	532 70 02-79	RETAINER
9	532 18 92-82	SQUARE KEY	21	532 08 51-79	RETAINER
10	532 19 49-40	AXLE LOBE	22	532 19 38-85	SPRING
11	532 17 46-97	THRUST WASHER	23	532 18 20-15	LEVER PIN
12	532 43 58-25	STEERING YOKE	24	532 19 95-12	PIVOT BRACKET

NOTE: All component dimensions given in U.S. inches. 1 inch = 25.4 mm
IMPORTANT: Use only Original Equipment Manufacturer (O.E.M.) replacement parts.
 Failure to do so could be hazardous, damage your snow thrower and void your warranty.

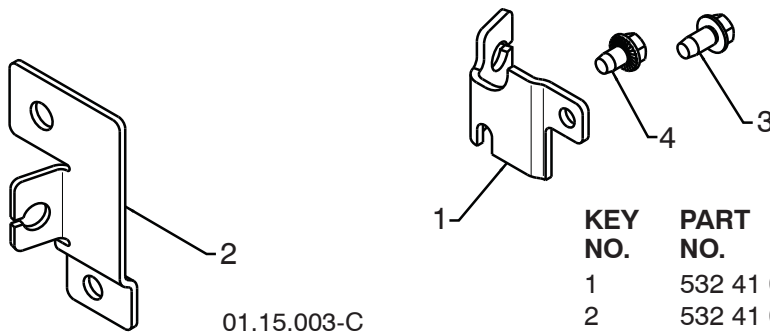
REPAIR PARTS

WHEELS

SNOW THROWER - MODEL NO. 1830HV (96193005401), PRODUCT NO. 961 93 00-54



KEY NO.	PART NO.	DESCRIPTION
1	532 43 61-07	WHEEL ASSEMBLY LH
2	532 43 61-08	WHEEL ASSEMBLY RH



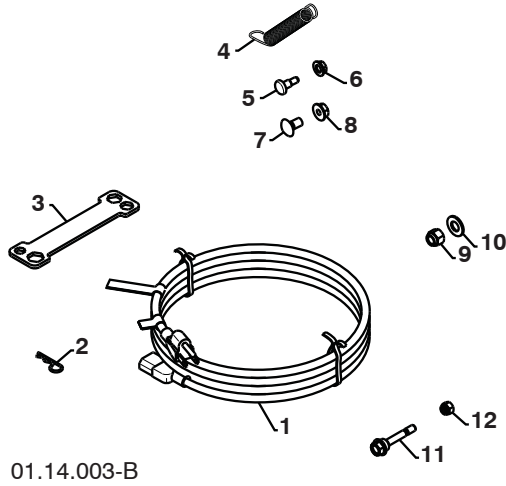
KEY NO.	PART NO.	DESCRIPTION
1	532 41 02-93	CABLE BRACKET LH
2	532 41 02-94	CABLE BRACKET RH
3	817 49 04-08	SCREW 1/4-20 X .500
4	817 60 04-06	SCREW 1/4-20 X .375

NOTE: All component dimensions given in U.S. inches. 1 inch = 25.4 mm
IMPORTANT: Use only Original Equipment Manufacturer (O.E.M.) replacement parts.
 Failure to do so could be hazardous, damage your snow thrower and void your warranty.

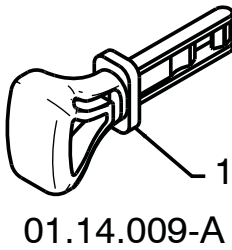
REPAIR PARTS

BAG OF PARTS

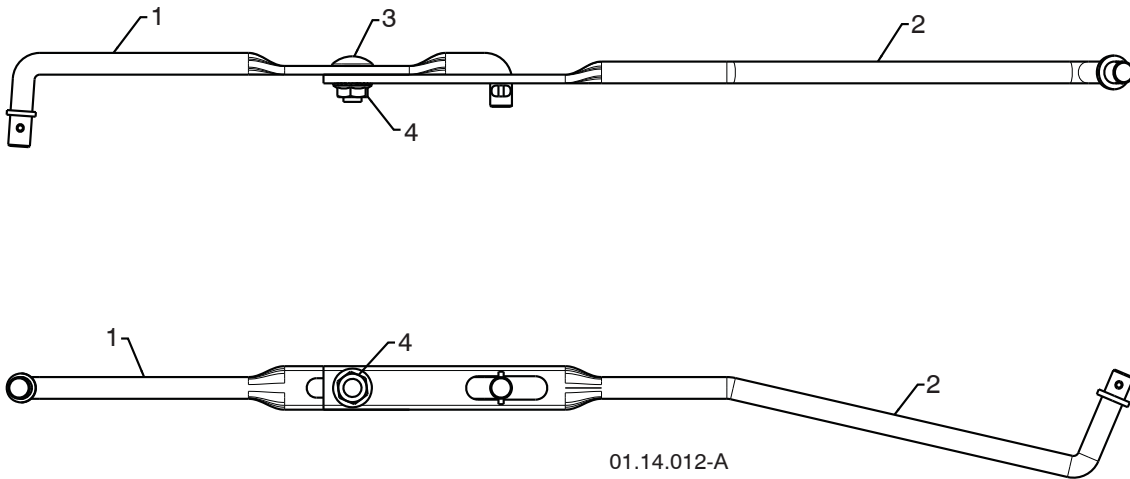
SNOW THROWER - MODEL NO. 1830HV (96193005401), PRODUCT NO. 961 93 00-54



KEY NO.	PART NO.	DESCRIPTION
1	532 19 85-63	POWER CORD
2	532 16 96-75	RETAINER PIN
3	532 42 91-12	WRENCH
4	532 18 45-05	REMOTE SPRING
5	532 17 98-29	SHOULDER BOLT 1/4-20
6	532 19 17-30	LOCKNUT 1/4-20
7	872 25 05-05	CARRIAGE BOLT 5/16-18 X 5/8
8	532 75 11-53	LOCKNUT 5/16-18
9	873 80 06-00	LOCKNUT 3/8-16
10	819 13 13-16	WASHER 3/8
11	532 19 20-90	SHEAR BOLT 1/4-20 X 1-13/16
12	873 80 04-00	LOCKNUT 1/4-20

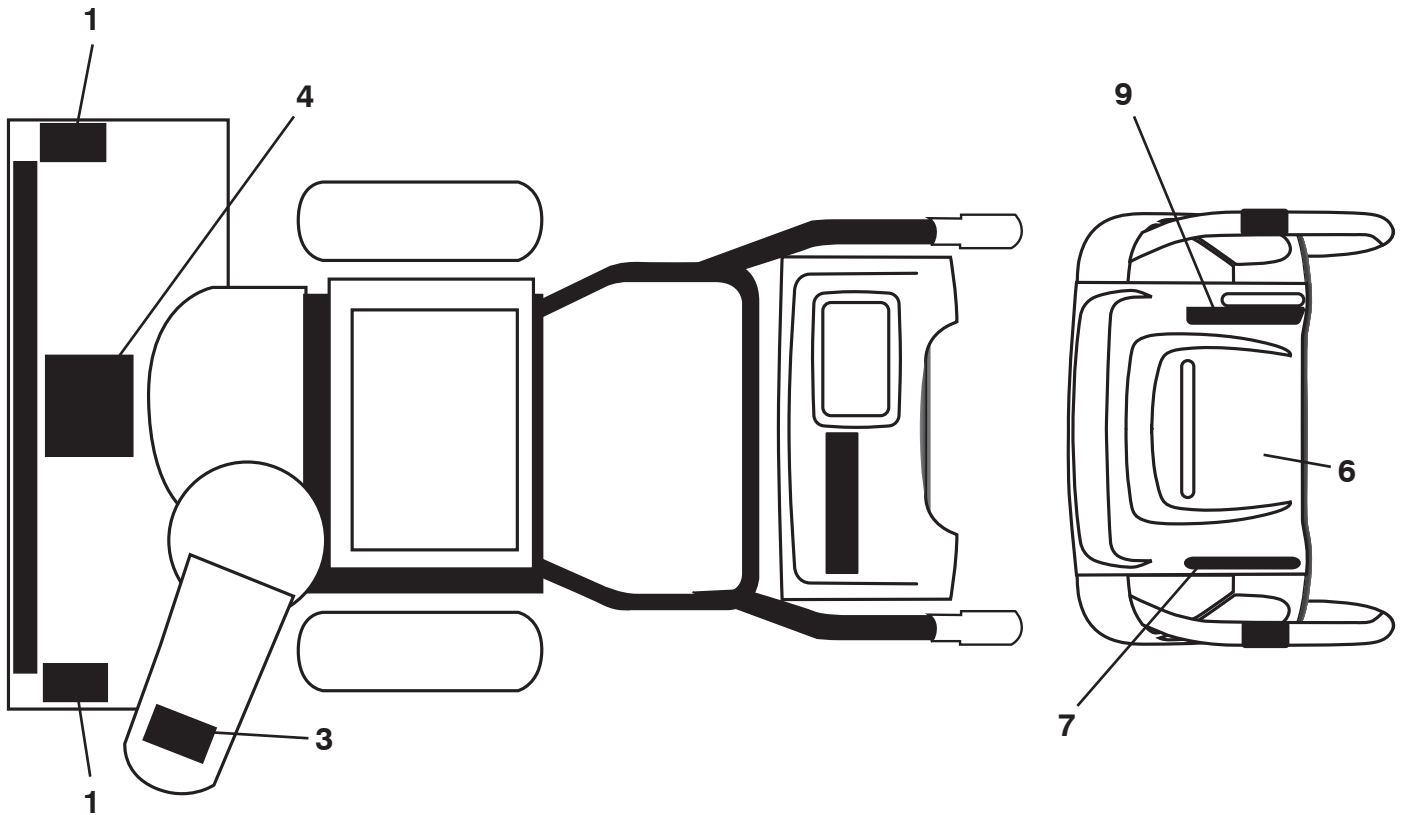


KEY NO.	PART NO.	DESCRIPTION
1	532 42 26-63	SAFETY IGNITION KEY



KEY NO.	PART NO.	DESCRIPTION
1	532 18 04-45	SHIFTER ROD TOP
2	532 18 77-16	SHIFTER ROD BOTTOM
3	872 27 05-05	CARRIAGE BOLT 5/16-18 X .75
4	532 15 53-77	NUT 5/16-18

NOTE: All component dimensions given in U.S. inches. 1 inch = 25.4 mm
IMPORTANT: Use only Original Equipment Manufacturer (O.E.M.) replacement parts. Failure to do so could be hazardous, damage your snow thrower and void your warranty.



KEY NO.	PART NO.	DESCRIPTION
1	532 18 10-37	DECAL, DANGER
3	532 18 10-35	DECAL, DANGER, DEFLECTOR
4	532 18 10-42	DECAL, DANGER
6	532 42 95-73	DECAL, INSTRUCTION
7	532 42 95-69	DECAL, LT. WO/DEFL. GRY
9	532 42 95-71	DECAL, RT. SPD/LEV/PWRST/GRY
--	532 43 54-80	OPERATOR'S MANUAL, ENGLISH
--	532 43 54-81	OPERATOR'S MANUAL, FRENCH

NOTE: All component dimensions given in U.S. inches. 1 inch = 25.4 mm
IMPORTANT: Use only Original Equipment Manufacturer (O.E.M.) replacement parts.
 Failure to do so could be hazardous, damage your snow thrower and void your warranty.